

**SPECIAL
RELEASE**



**SPECIAL
RELEASE**

FUEL INJECTION SYSTEM SERVICE PARTS

To provide advance information for the assistance of Dealers in servicing Fuel Injection Systems, a list of repair parts has been prepared and included in this special publication. This is being issued in advance of the regular listing in the Parts and Accessories Catalog.

Illustrations of Fuel Injection parts in assembly order are also included to provide ready identification with the listed part numbers.

Prices are not included in this advance publication. Parts should be ordered from the warehouse in the regular manner and will be invoiced at the applicable prices at time of shipment.

**CHEVROLET—CENTRAL OFFICE
PARTS AND ACCESSORIES DEPARTMENT**

For: DEALERS

PARTS MANAGERS

SERVICE MANAGERS

All illustrations and specifications contained in this literature are based on the latest product information available at the time of publication approval. The right is reserved to make changes at any time without notice in prices, colors, materials, equipment, specifications and models, and also to discontinue models.

CHEVROLET MOTOR DIVISION
GENERAL MOTORS CORPORATION
DETROIT 2, MICH.

<u>Group</u>	<u>Description</u>	<u>Part No.</u>
3.265	MANIFOLD, Intake	7014378
3.310	FUEL METER ASSY., W/NOZZLES	7014481
3.312	BODY ASSY., Fuel Meter	7014528
3.308	PUMP ASSY., Injection Gear W/Gasket	7014483
3.308	GASKET, Gear Pump	7014104#
3.308	SCREW, Pump Attaching (#10-32 x 5/8)	7014280
3.308	SCREW, Pump Attaching (#10-32 x 1/2)	7010448
3.312	BRACKET, Fuel Meter Mounting	7014325
3.312	SPACER, Fuel Meter Mounting	7014402
3.314	SOLENOID ASSY., W/Lead	1119947
3.314	SCREW, Solenoid Attaching (#8-32 x 5/16)	7010424
3.316	SHAFT, Solenoid W/Lever	7014148
3.316	ROD, Solenoid	7014163
3.316	CLIP, Solenoid Rod	836159
3.316	LEVER, Solenoid Internal.	7014162
3.316	WASHER, Solenoid Lever.	7014281
3.316	NUT, Solenoid Lever	7014551
3.318	DIAPHRAGM ASSY., Fuel Control	7014193
3.318	GROMMET, Control Diaphragm Link	7014268
3.318	WASHER, Control Diaphragm	7014168
3.318	NUT, Control Diaphragm.	7014191
3.318	COVER, Control Diaphragm	7014152
3.318	SCREW, Control Diaphragm (#8-32 x 3/8).	7014296
3.318	GASKET, Control Diaphragm	7014550#
3.320	DIAPHRAGM ASSY., Enrichment	7014140
3.320	SPRING, Enrichment	7014512
3.320	COVER, Enrichment Diaphragm	7014133
3.320	SCREW, Enrichment Cover (#8-32 x 1/2)	7014279
3.320	SHAFT, Enrichment W/Lever	7014167
3.320	ROD, Enrichment Control.	7014131
3.320	CLIP, Enrichment Rod	7005032
3.320	LEVER, Ratio	7014617
3.322	VALVE KIT, High Pressure Fuel.	7014529
3.322	SPRING, High Pressure Fuel Valve Retaining	7014141
3.322	SCREEN, High Pressure Fuel Valve Inlet	7014635
3.322	COVER UNIT, Fuel Valve	7014707
3.322	"O" RING, Fuel Valve Cover	7014546
3.322	SCREW, Fuel Valve Cover (#10-32 x 1/2).	7010448
3.322	COVER, Fuel Passage	7014348
3.322	GASKET, Fuel Passage Cover	7014345#
3.322	SCREW, Fuel Passage Cover (#10-32 x 1/2).	7010448
3.322	SCREW, Fuel Passage Cover (#10-32 x 3/8).	7014349
3.328	VALVE ASSY., Coasting Shut-Off	7014198
3.328	DIAPHRAGM, Coasting Shut-Off	7014125
3.328	PLATE, Coasting Shut-Off Diaphragm-Upper.	7014197
3.328	PLATE, Coasting Shut-Off Diaphragm- Lower	7014097
3.328	NUT, Coasting Shut-Off Diaphragm	7014266
3.328	SPRING, Coasting Shut-Off Primary - Lower	7014311
3.328	GASKET, Coasting Shut-Off Diaphragm	7014549#
3.328	COVER ASSY., Coasting Shut-Off	7014530

<u>Group</u>	<u>Description</u>	<u>Part No.</u>
3.328	VALVE, Coasting Shut-Off Control Check.	7014507
3.330	DISTRIBUTOR KIT,	7014484
3.330	PIPE KIT, Fuel Nozzle (4 pipes, 9 ferrules, 8 nuts)	7014485
3.330	NUT, Distributer Line	7014269
3.330	FERRULE, Nozzle Line	7014270
3.330	NUT, Nozzle Line	7014108
3.330	PIPE ASSY., Starting By-pass	7014531
3.330	TEE ASSY., Fuel Control	7014358
3.330	BRACKET, Fuel Distributor	7014230
3.330	CLIP, Distributor.	7014227
3.330	SCREW, Distributor Bracket (#10-32 x 5/16)	7014247
3.330	AIR PIPE, Left Cylinder Bank Nozzle.	7014369
3.330	AIR PIPE, Right Cylinder Bank Nozzle	7014502
3.330	TUBE, Auxiliary Signal Vacuum.	7014326
3.330	TUBE, Enrichment Vacuum	7014327
3.330	TUBE, Venturi Signal Vacuum	7014328
3.330	TUBE, Coasting Shut-Off Vacuum.	7014329
3.330	TUBE, Control Diaphragm Vent	7014497
3.330	HOSE, Enrichment Tube	7014012
3.330	HOSE, Distributor - Long	7014330
3.330	HOSE, Nozzle Air	7014368
3.330	FITTING, Enrichment Vacuum Tube	7006854
3.330	FITTING, Auxiliary Signal Vacuum Tube	7006854
3.330	CLAMP, Enrichment and Diaphragm Vent Tubes	7014532
3.332	NOZZLE, Metering (Size Q5)	7014693 ⊕
3.332	NOZZLE, Metering (Size S6)	7014694 ⊕
3.332	NOZZLE, Metering (Size T7)	7014695 ⊕
3.332	NOZZLE, Metering (Size U9)	7014696 ⊕
3.332	BLOCK, Nozzle	7014342
3.332	GASKET, Nozzle Block	7014472#
3.332	RETAINER, Nozzle	7014367
3.332	SCREW, Nozzle Retainer.	7014343
3.737	COVER ASSY., Fuel Meter.	7014692
3.737	SCREW, Fuel Meter Cover (Flat Head #10-32 x 3/8)	7014270
3.737	SCREW, Fuel Meter Cover (#10-32 x 5/8)	7014280
3.738	GASKET, Fuel Meter Cover	7014689#
3.740	CUP, Fuel Inlet	7014128
3.740	SCREW, Fuel Inlet Cup	7010434
3.745	FLOAT ASSY.,	7014180
3.747	PIN, Float Hinge	7014124
3.814	NEEDLE ASSY., W/Seat and Gasket	7014691
3.304	GASKET KIT, Fuel Meter.	7014486

NOTE: All parts so marked are contained in Repair Kit 7014486

⊗ NOTE:	Part No.	Size	Services Production Sizes
	7014693	Q5	P4, P5, Q4, Q5
	7014694	S6	Q6, R5, R6, S6
	7014695	T7	R7, S7, S8, T7
	7014696	U9	T8, T9, U8, U9

Group	Description	Part No.
3.335	AIR METER ASSY. W/Restriction Fitting	7014726
3.314	SWITCH, Solenoid Control	7014228
3.314	BRACKET, Solenoid Switch Mounting	7014229
3.314	SCREW, Solenoid Switch Bracket (#10-32 x 3/8)	7014349
3.314	SCREW, Solenoid Switch Attaching (#4-48 x 5/8).	7014480
3.314	SHIELD, Solenoid Control Switch	7014534
3.335	GASKET, Air Meter	7014016+
3.335	BODY ASSY., Air Meter	7014444
3.335	RING, Venturi	7014339
3.335	CONE, Venturi	7014341
3.335	SPACER, Venturi Cone.	7014338
3.335	GASKET, Venturi Ring.	7014053+
3.335	SCREW, Diffuser Attaching (#10-32 x 2)	7014070
3.430	ROD, Throttle Drive.	7014643
3.579	BELLCRANK, Throttle Control	7014644
3.750	HOUSING, Cold Enrichment	7014047
3.750	GASKET, Enrichment Housing	7014048+
3.750	SCREW, Enrichment Housing	7005654
3.750	THERMOSTAT ASSY., W/Linkage	7014056
3.750	COVER ASSY., Cold Enrichment	7014652
3.750	SCREW, Cold Enrichment Cover (#8-32)	7010424
3.750	RETAINER, Cold Enrichment Cover	7014544
3.751	INSULATOR, Enrichment Housing	7014026
3.752	PISTON, Cold Enrichment.	7014495
3.752	PIN, Enrichment Piston	7004748
3.752	LEVER, Thermostat W/Collar	7014021
3.752	LEVER, Trip	7000196
3.752	SCREW, Trip Lever.	7010434
3.766	CAM, Fast Idle	7014441
3.766	SCREW, Fast Idle Cam Adjust.	7000646
3.766	SPRING, Fast Idle Cam Adjust Screw.	7003176
3.767	SCREW, Cam Attaching	7003561
3.767	SPRING, Cam Return	7014356
3.768	LINK, Fast Idle Cam	7014033
3.768	CLIP, Fast Idle Link.	7005109
3.822	NEEDLE, Idle Fuel Adjust.	7001669
3.822	SCREW, Idle Air Adjust	7014005
3.823	SPRING, Idle Needle	7003190
3.823	SPRING, Idle Air Screw	7014006
3.304	GASKET KIT, Air Meter	7014487

+ NOTE: All parts so marked are contained in Repair Kit 7014487

MISCELLEANOUS PARTS APPLICABLE TO FUEL INJECTION ONLY

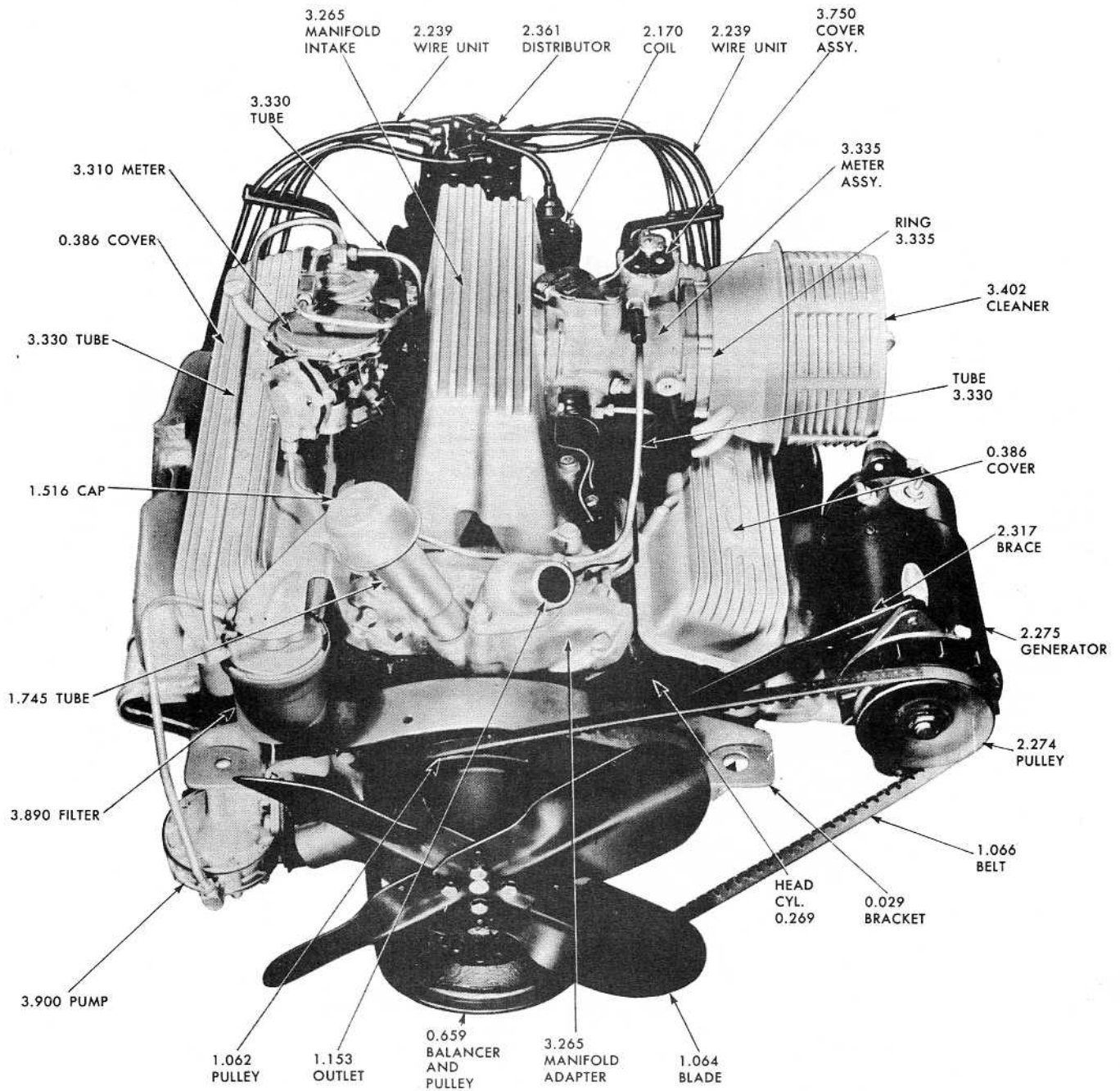
0.033	ENGINE ASSY., Partial	3744731 §
0.033	CYLINDER ASSY., Case and Piston	3744730 §
0.629	PISTON ASSY., W/Pin L.H. (Std.)	3746289 §
0.629	PISTON ASSY., W/Pin R.H. (Std.)	3746290 §
0.629	PISTON ASSY., W/Pin L.H. (Std-Hi-Limit).	3746285 §
0.629	PISTON ASSY., W/Pin R.H. (Std-Hi-Limit).	3746286 §
0.629	PISTON ASSY., W/Pin L.H. (.030 O.S.)	3746239 §
0.629	PISTON ASSY., W/Pin R.H. (.030 O.S.)	3746240 §

§ NOTE: Used only with high lift cam.

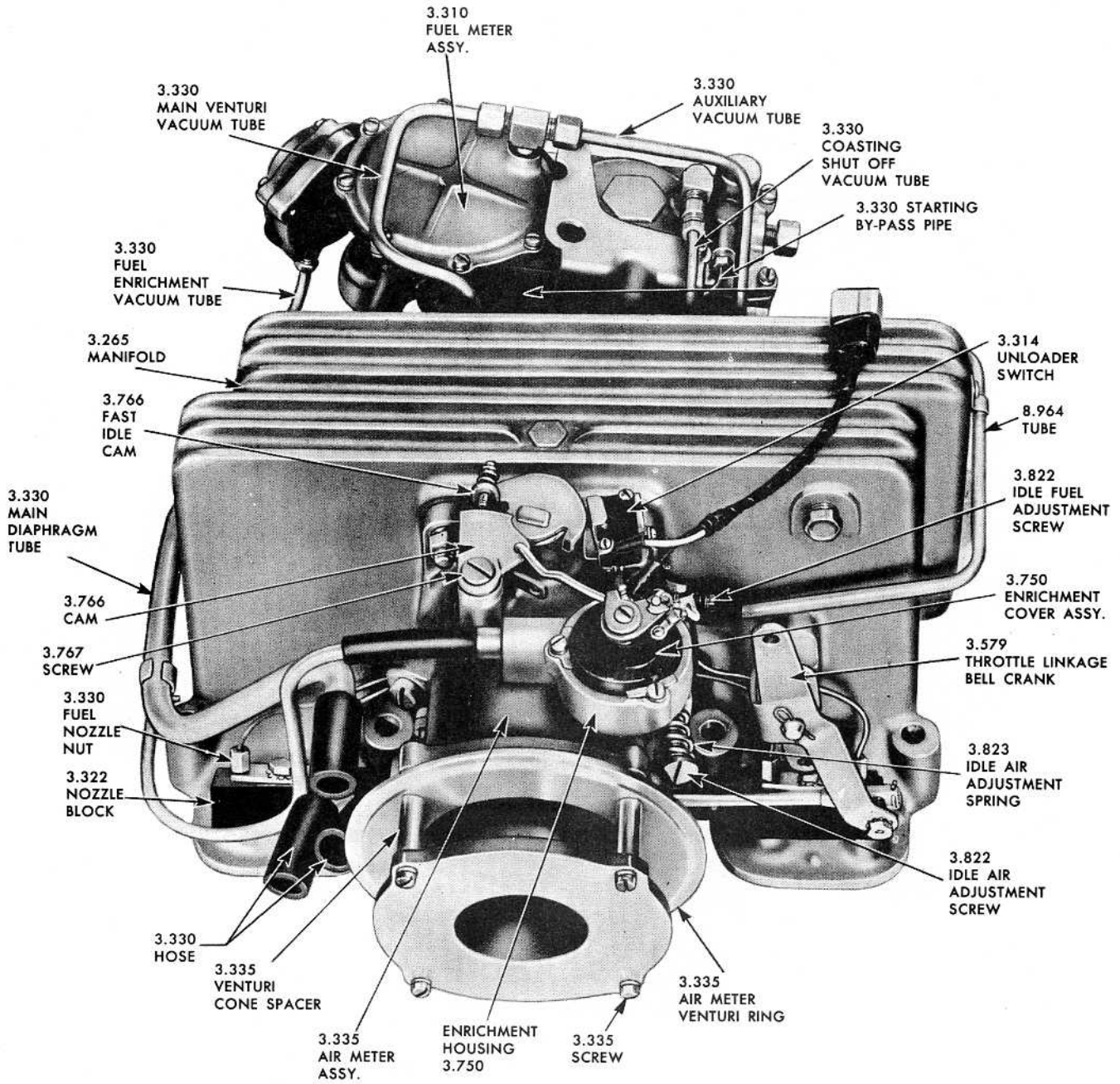
Group	Description	Part No.
0.659	PULLEY, Crankshaft	3742991
0.659	BALANCER, Harmonic W/Hi Lift Cam	3743319
0.659	WASHER UNIT, Engine Balancing	3716306*

*NOTE: Required when replacing crankshaft in fuel injection engine assy.

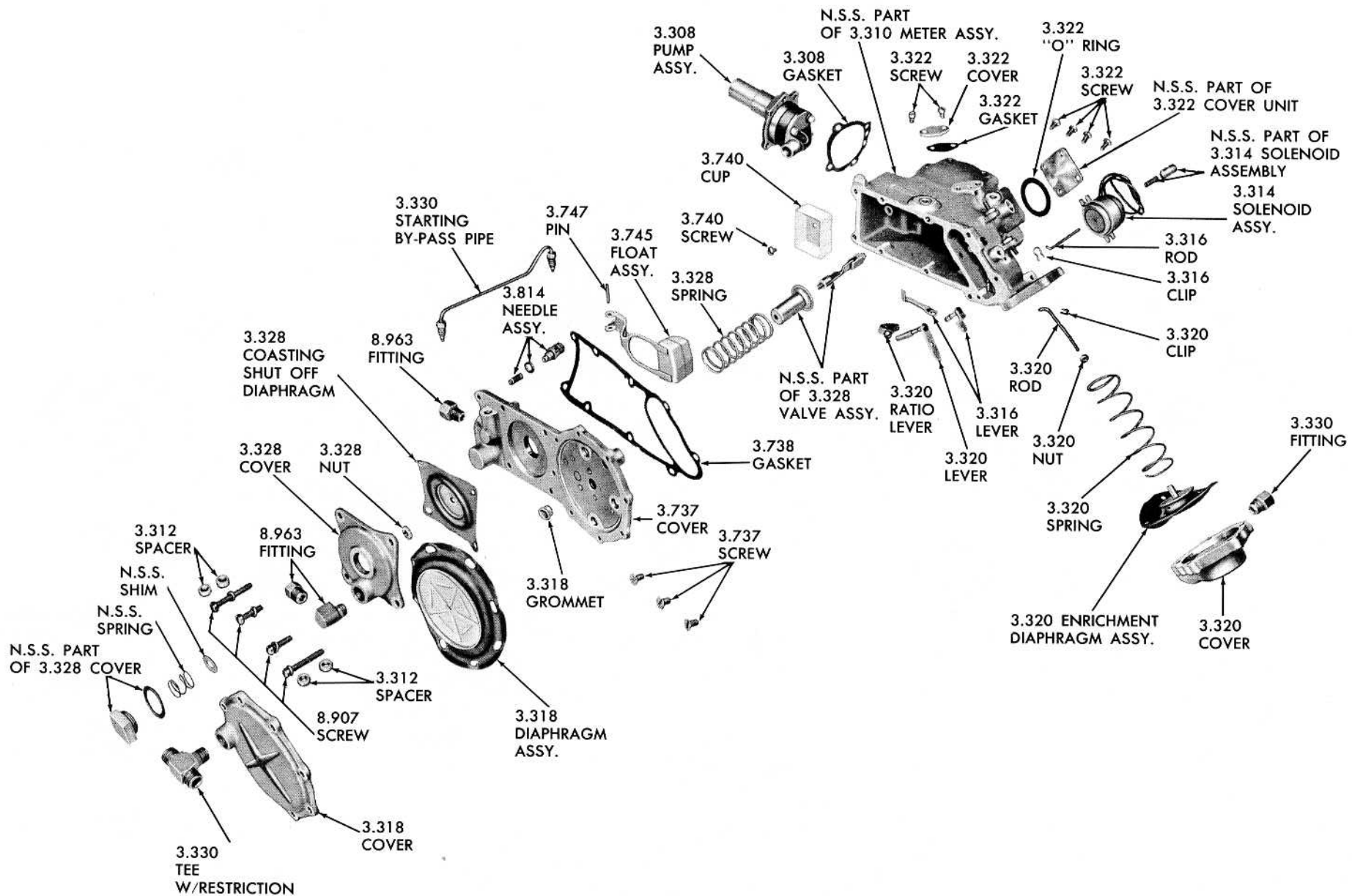
2.361	DISTRIBUTOR, Ignition Timer	1110889
2.367	CAP, Distributor	1917247
2.368	CLAMP ASSY., Distributor Cap	1938835
2.372	SHAFT ASSY., Distributor Main W/Weight Plate	1938658
2.375	RETAINER, Distributor Mainshaft Bearing	1925471
2.381	CAM ASSY., Distributor (Advance & Breaker)	1938661
2.381	BEARING, Distributor Mainshaft.	954939
2.381	RING, Distributor Mainshaft Bearing Snap	2600228
2.382	ROTOR, Distributor.	1927393
2.384	CONTACT UNIT, Distributor	1918148
2.385	PLATE ASSY., Distributor Breaker	1935507
2.393	CONDENSER, Distributor	1869704
3.265	ADAPTER, Inlet Manifold	3741193
3.340	SHAFT, Fuel Injection Drive	1936948
3.340	GEAR, Fuel Injection Drive Shaft Driven.	1938656
3.340	SEAL ASSY., Lower Housing Oil W/Cap	1937985
3.340	GASKET, Distributor Lower Housing Oil Seal	1937979
3.340	WASHER, Fuel Injection Drive Shaft Driven Gear	1937980
3.340	SHIM, Fuel Injection Drive Shaft Driven Gear.	1913004
3.340	PIN, Fuel Injection Drive Shaft Driven Gear	1938656
3.270	GASKET, Intake Manifold.	3743858
3.340	SHAFT ASSY., Fuel Meter Pump Flexible.	1585213
3.402	CLEANER ASSY., Air	1553077
3.403	GASKET, Air Cleaner	3741810
3.425	SWIVEL, Accelerator Control Rod	3743284
3.430	ROD, Accelerator Control (Corvette)	3741764
3.430	ROD, Accelerator Control (Passenger)	3742296
3.430	LEVER, Accelerator Control Rod (Passenger)	3742297
3.430	ROD ASSY., Accelerator Control Lever (Passenger)	7014335
3.431	ROD ASSY., Accelerator Pedal (Corvette)	3741761
3.459	SPRING, Accelerator Pull Back.	3743295
3.579	LEVER, Accelerator Control	7014336
3.602	SHIELD, Fuel Meter	7014547
3.890	FILTER ASSY., Fuel	854434
3.890	BRACKET, Fuel Filter Mounting.	3741820
3.890	STRAINER ASSY., Fuel Filter W/Gasket	854386
3.890	SHELL, Fuel Filter	854413
3.890	GASKET, Fuel Filter Strainer	854378
4.019	BRACKET, Trans. Throttle Valve Control	3741767
4.019	ROD, Trans. Throttle Valve Control Cross-shaft	3741770
8.147	PLATE, Front Fender Name	3742212
8.147	EMBLEM, Front Fender	3742213



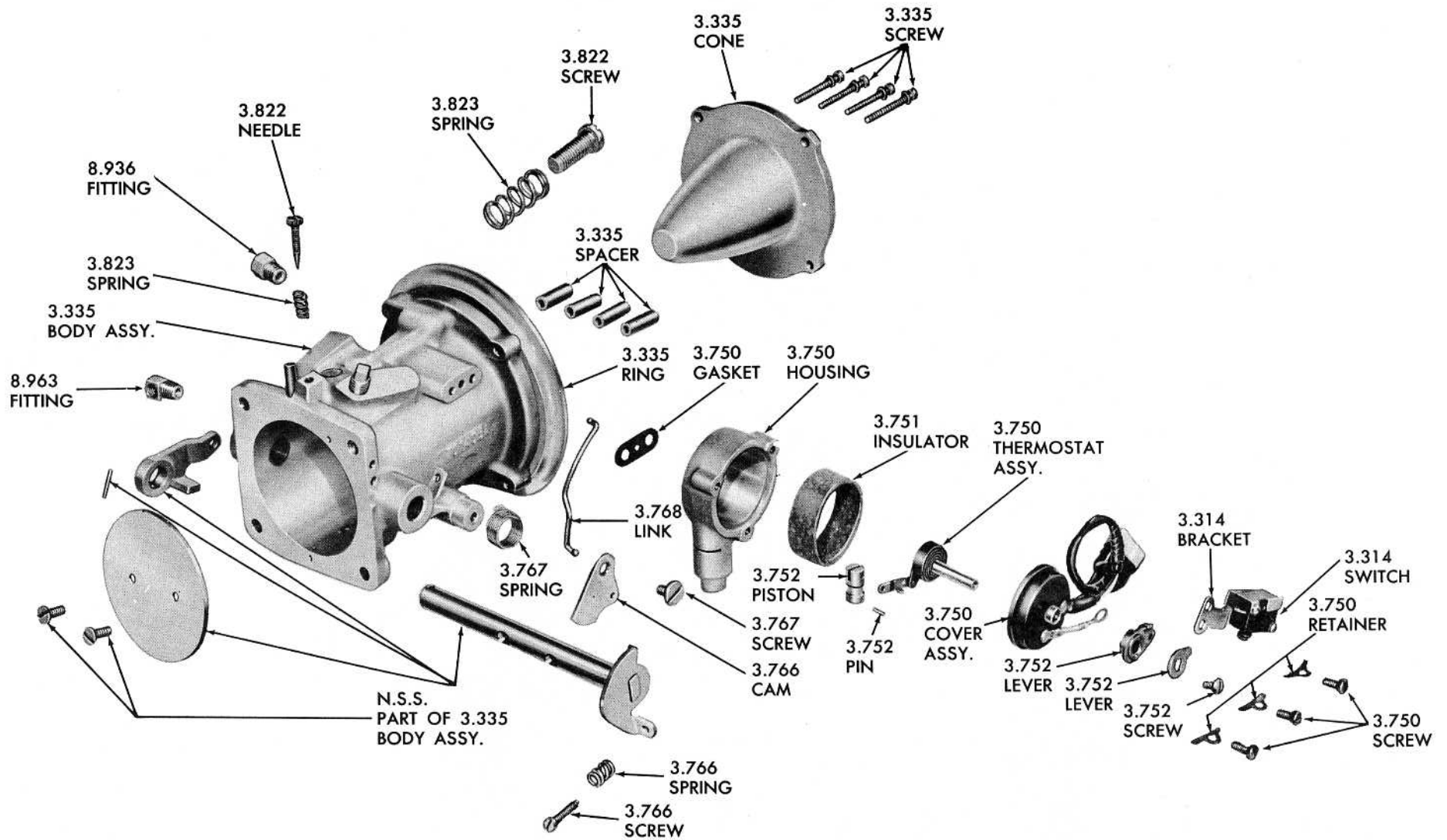
FUEL INJECTION ENGINE ASSY.



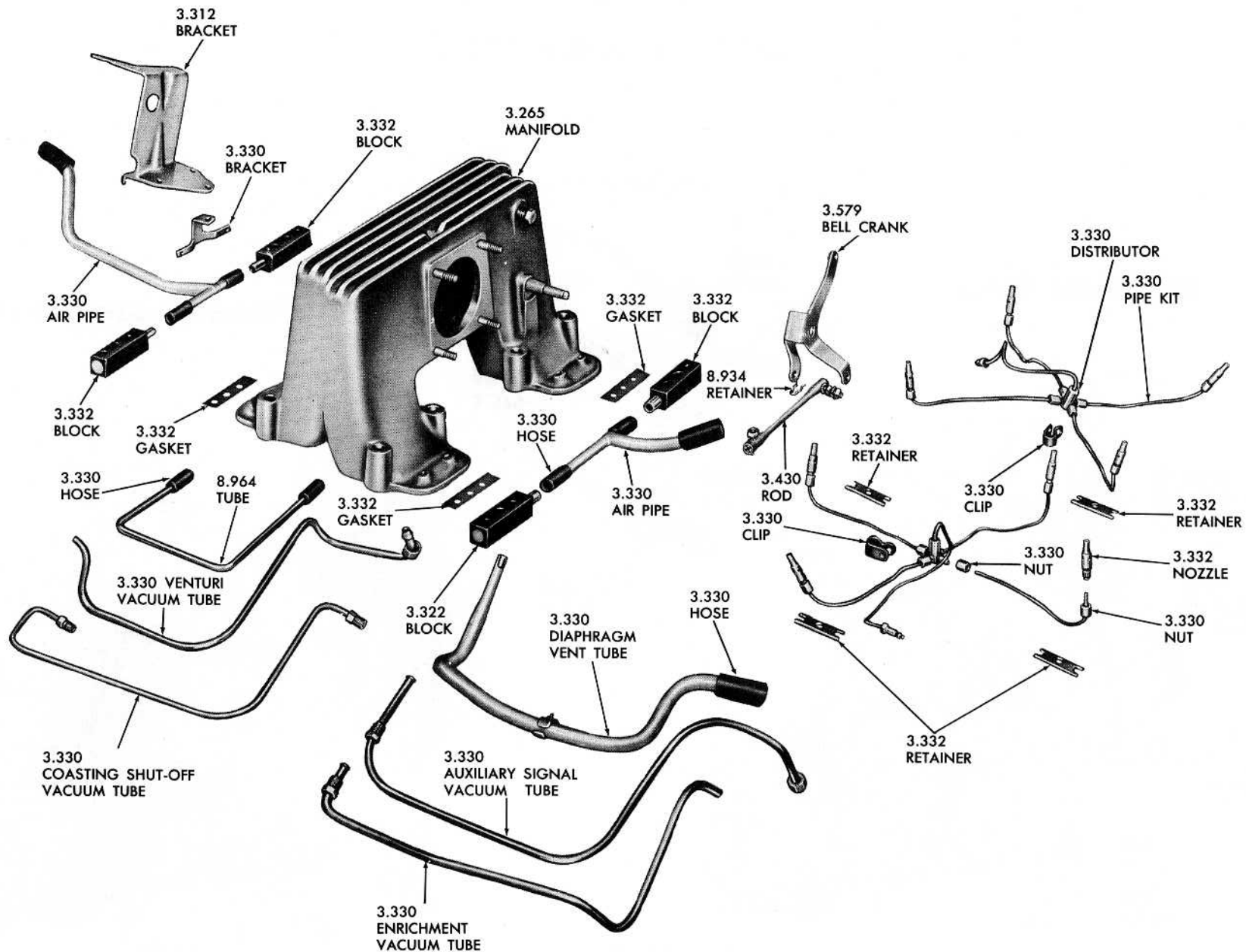
FUEL INJECTION ASSY.



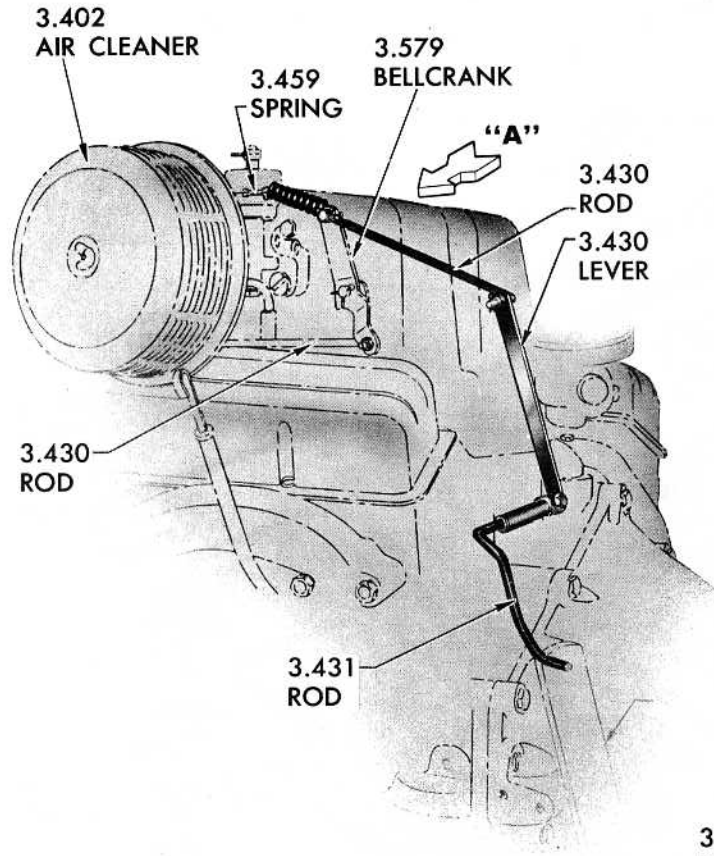
FUEL INJECTION FUEL METER ASSY.



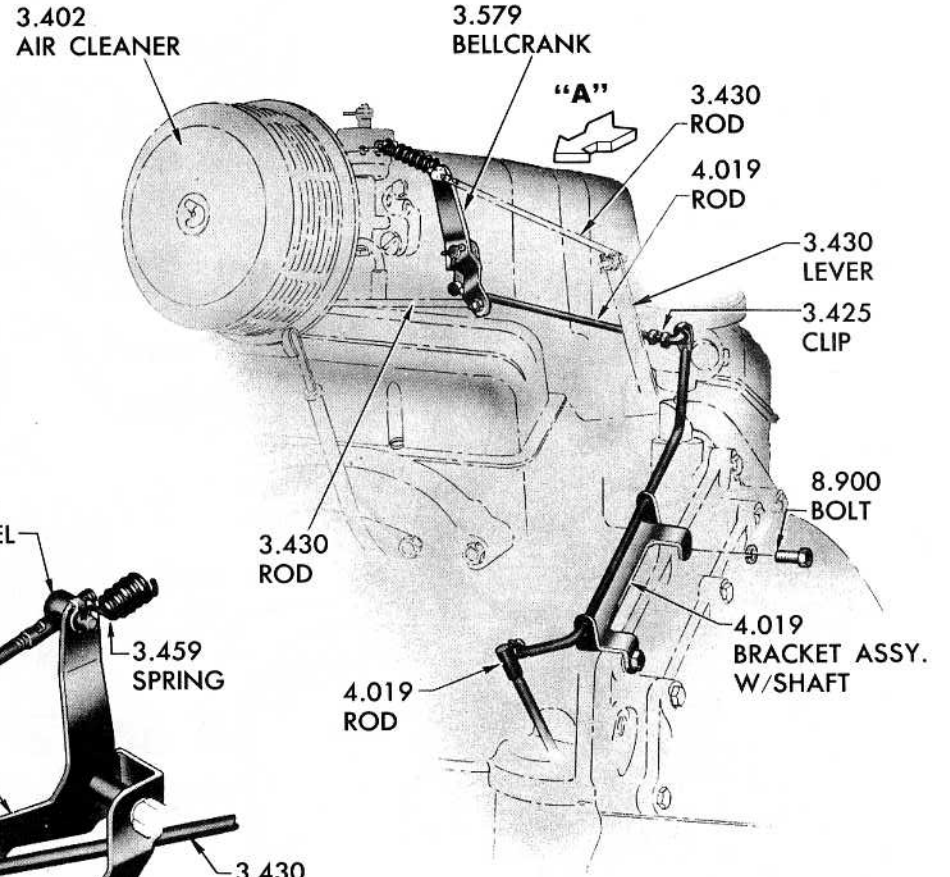
FUEL INJECTION AIR METER ASSY.



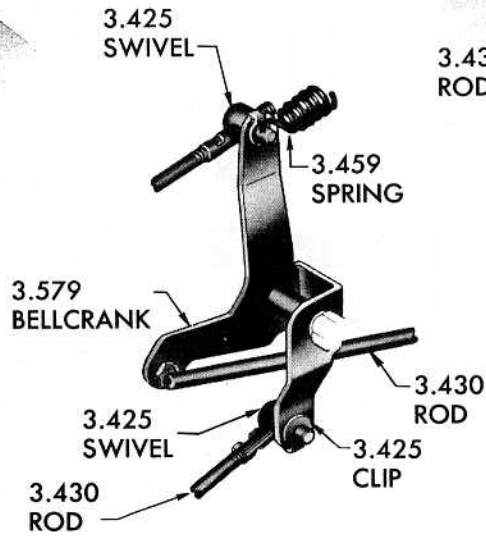
FUEL INJECTION MANIFOLD



EXCEPT AUTOMATIC TRANSMISSION



AUTOMATIC TRANSMISSION



FUEL INJECTION LINKAGE