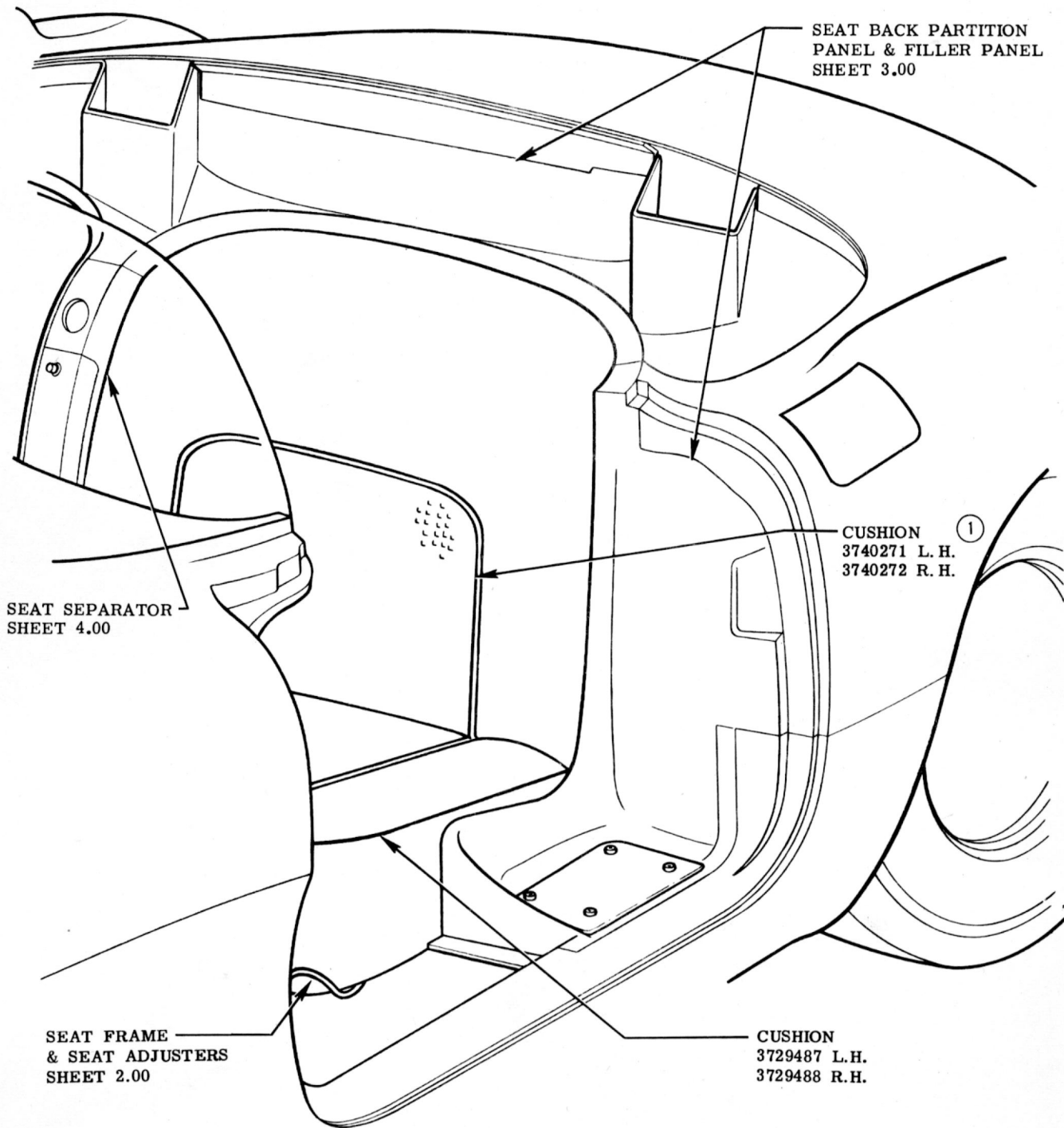


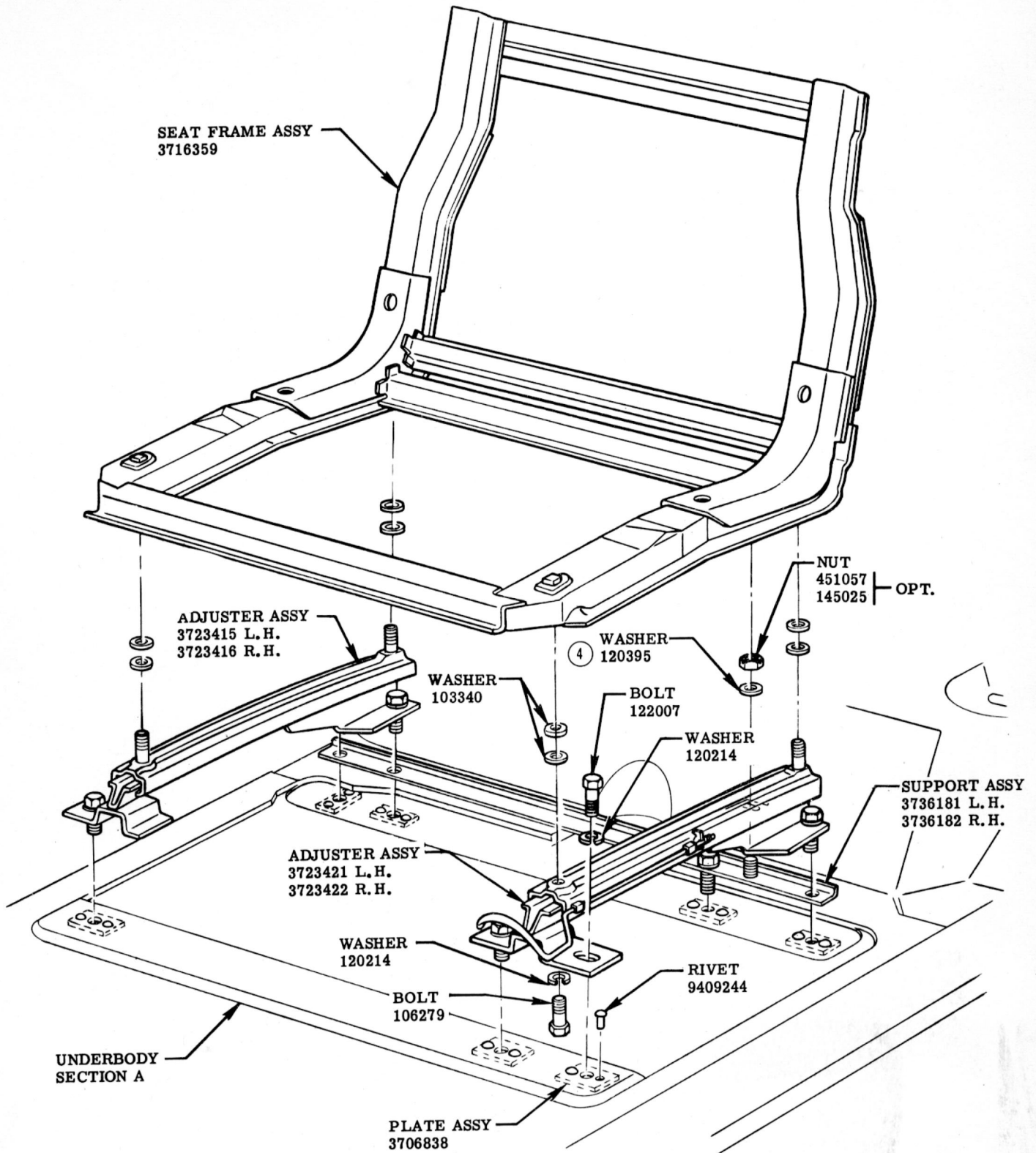
WYX IIRK I IIRGIR
WYX IIRK I IIRGIR

Maxwell



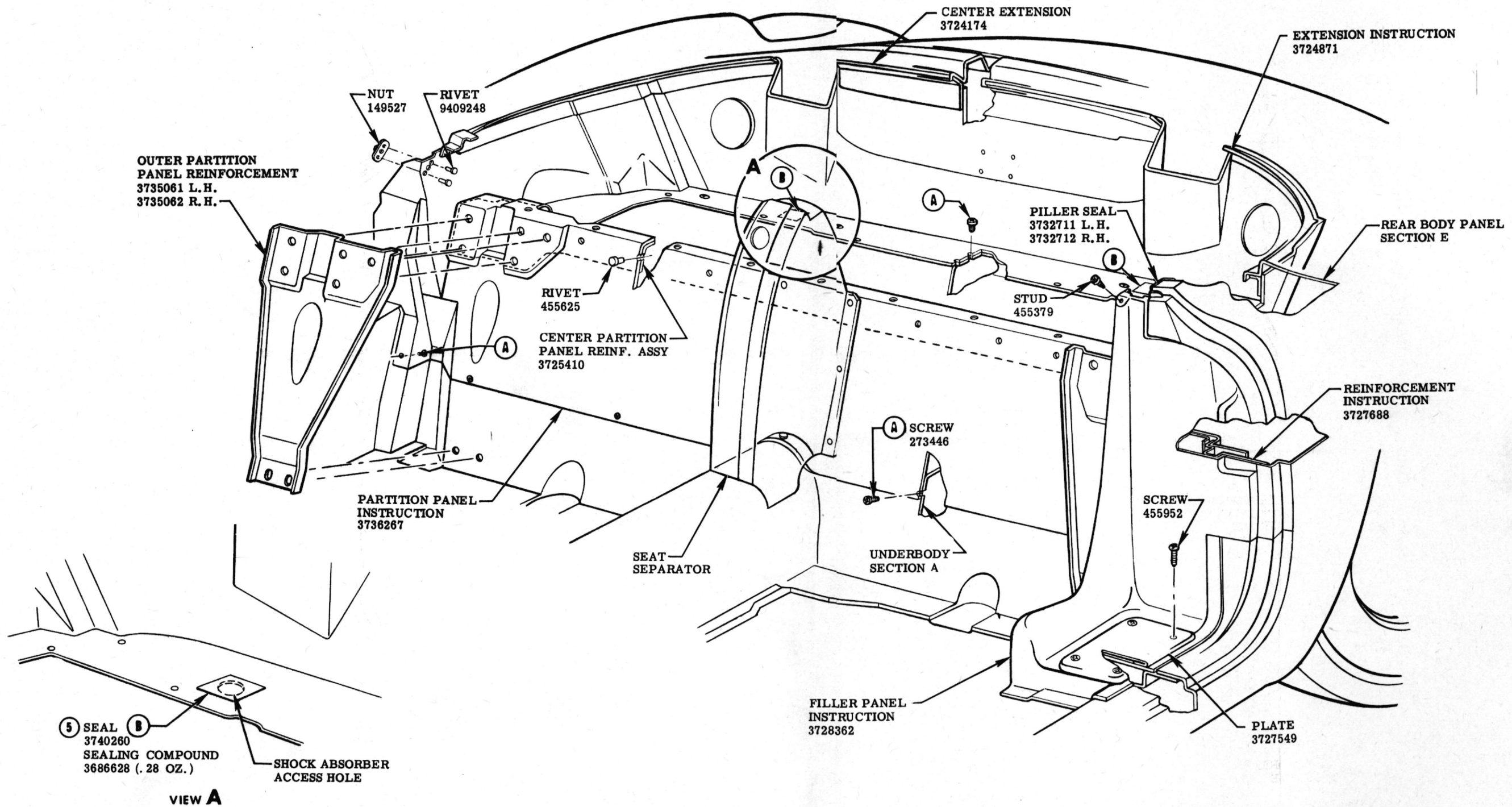
SEATS

						NAME	CORVETTE INSTRUCTION MANUAL			
						REF.	DRAWN W. M.	CHECKED L. S.	SECT.	SHEET
9-19-56	1	WAS 3729525-6	2875	WF	DATE	PART No.	3726900		J	1.00
DATE	SYM.	REVISION RECORD	AUTH.	DR.	CK.	9-15-55				



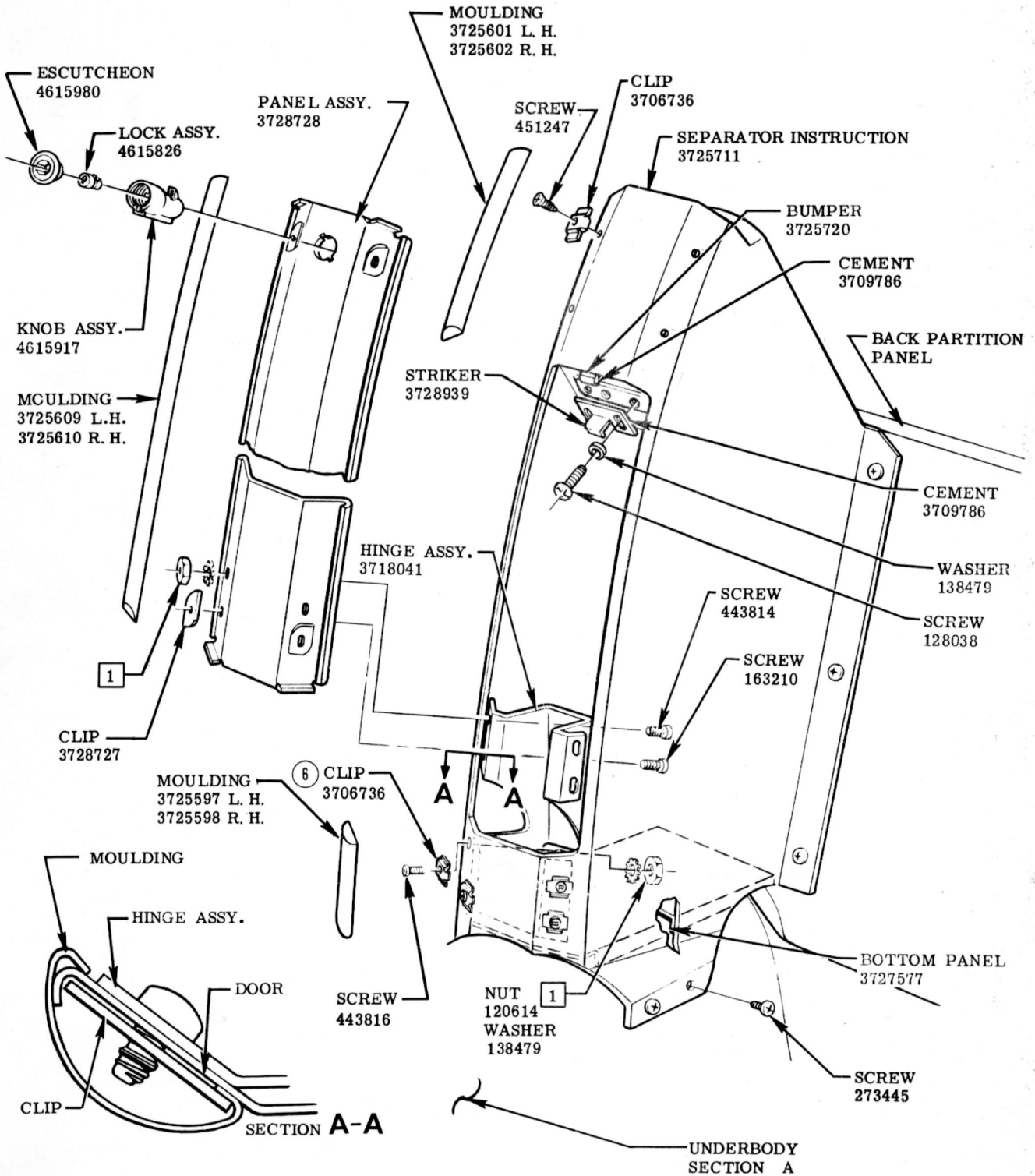
SEAT FRAME & SEAT ADJUSTERS.

					NAME					CORVETTE INSTRUCTION MANUAL						
					REF.	DRAWN	CHECKED	SECT.	SHEET							
					C. C.		L. S.		J		2.00					
8-20-56	4	WAS 120393														
5-21-56	3	REDRAWN & REVISED	8779	6569	V	F										
DATE	SYM.	REVISION RECORD		AUTH.	DR.	CK.	DATE	PART No.		3726900						



SEAT BACK PARTITION PANEL & FILLER PANEL

						NAME		CORVETTE INSTRUCTION MANUAL		
3-25-57	5	3740260 & 3686628 WAS 3701780			F	REF.	DRAWN	CHECKED	SECT.	SHEET
		MASKING TAPE	483				C.C.	L.S.	J	3.00
7-31-56	4	REDRAWN & REVISED FOR 57	2414		F	DATE	PART No.			
DATE	SYM.	REVISION RECORD	AUTH.	DR.	CK.	9-15-55	3726900			



SEAT SEPARATOR

					NAME CORVETTE INSTRUCTION MANUAL						
				REF.		DRAWN C. C.		CHECKED L. S.		SECT.	SHEET
6		ADDITIONAL CLIPS ADDED		WF						J	4.00
9-19-56		5 REDRAWN		3816		DATE 9-15-55		PART No. 3726900			
DATE	SYM.	REVISION RECORD			AUTH.	DR.	CK.				