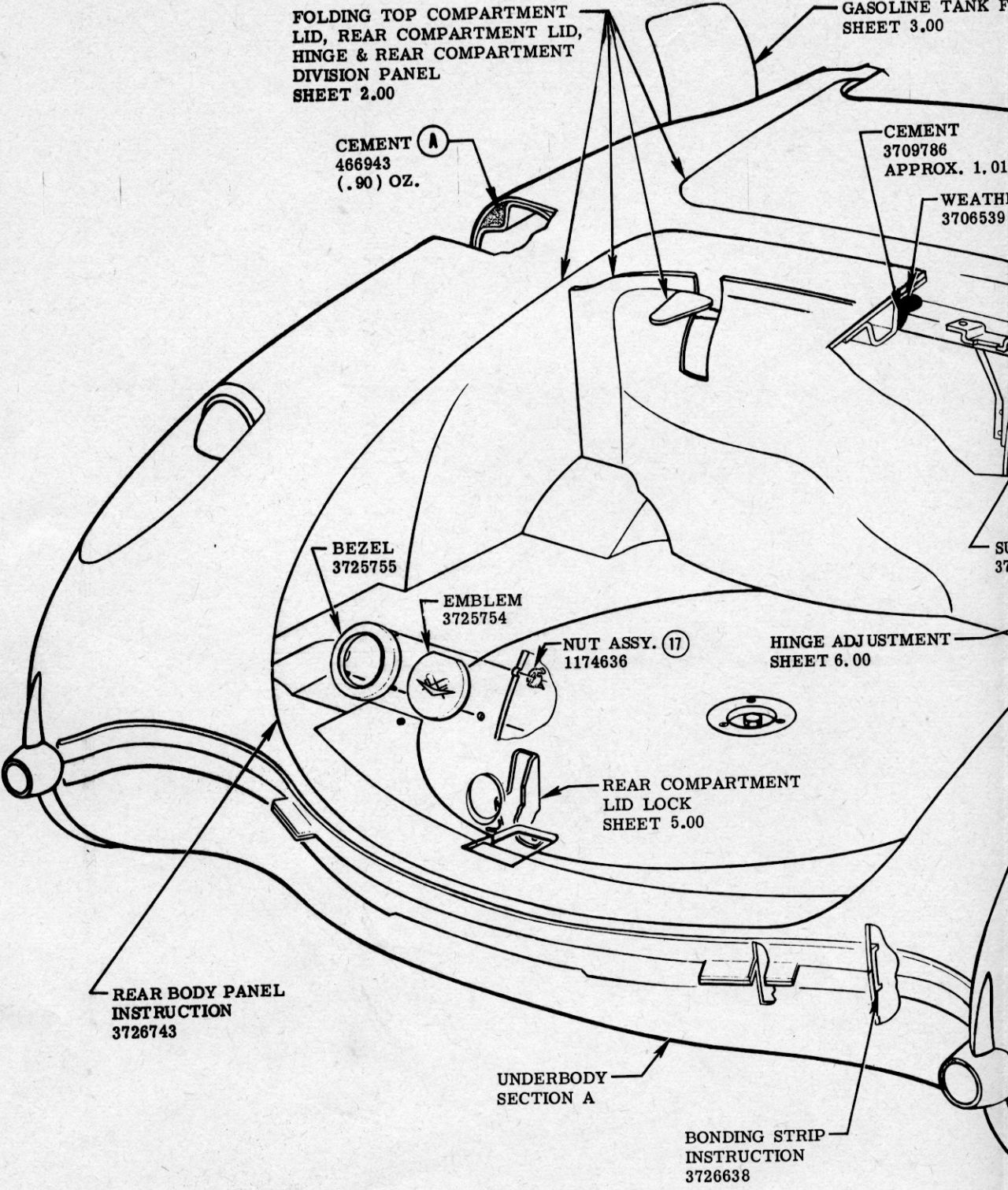
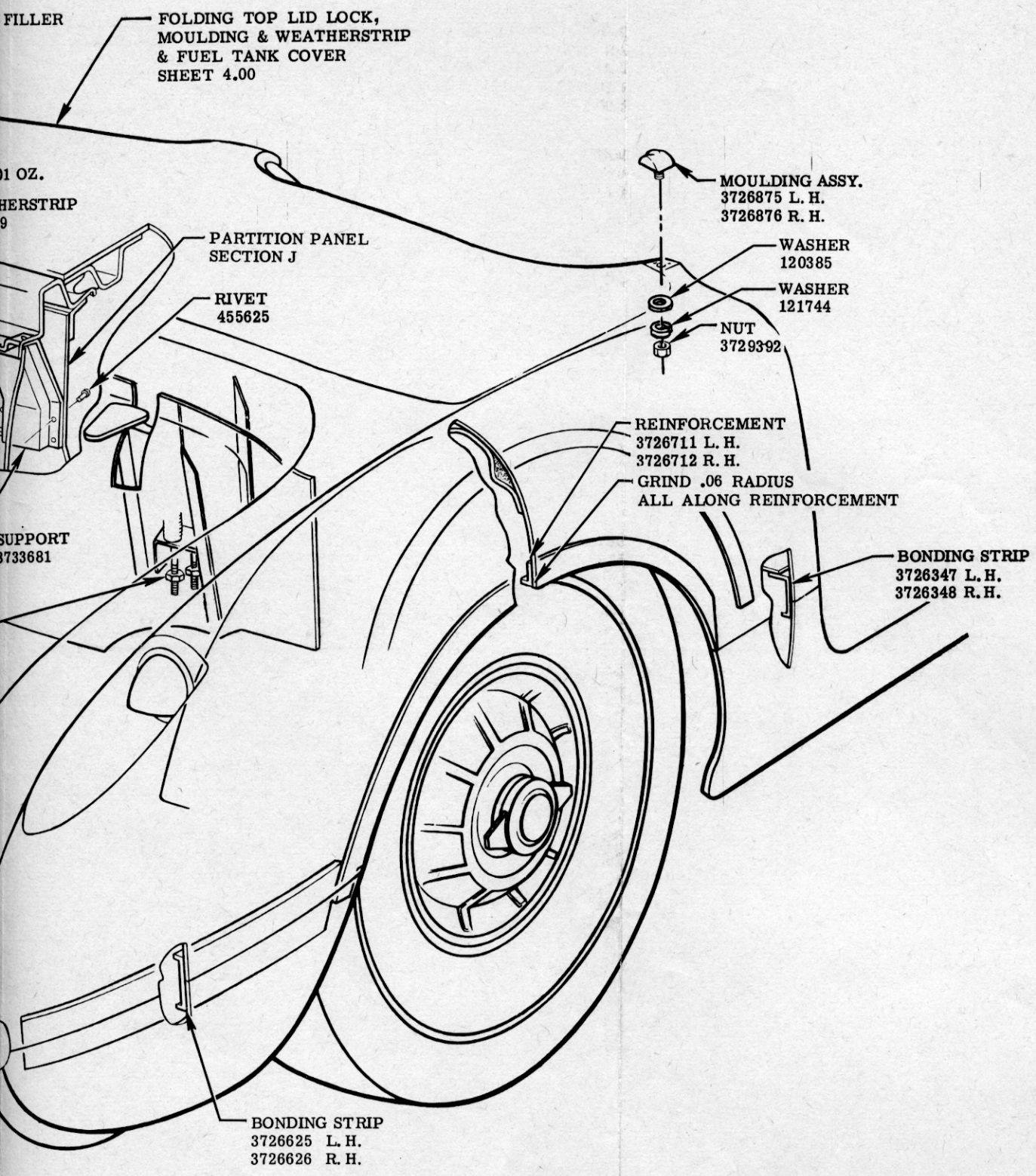


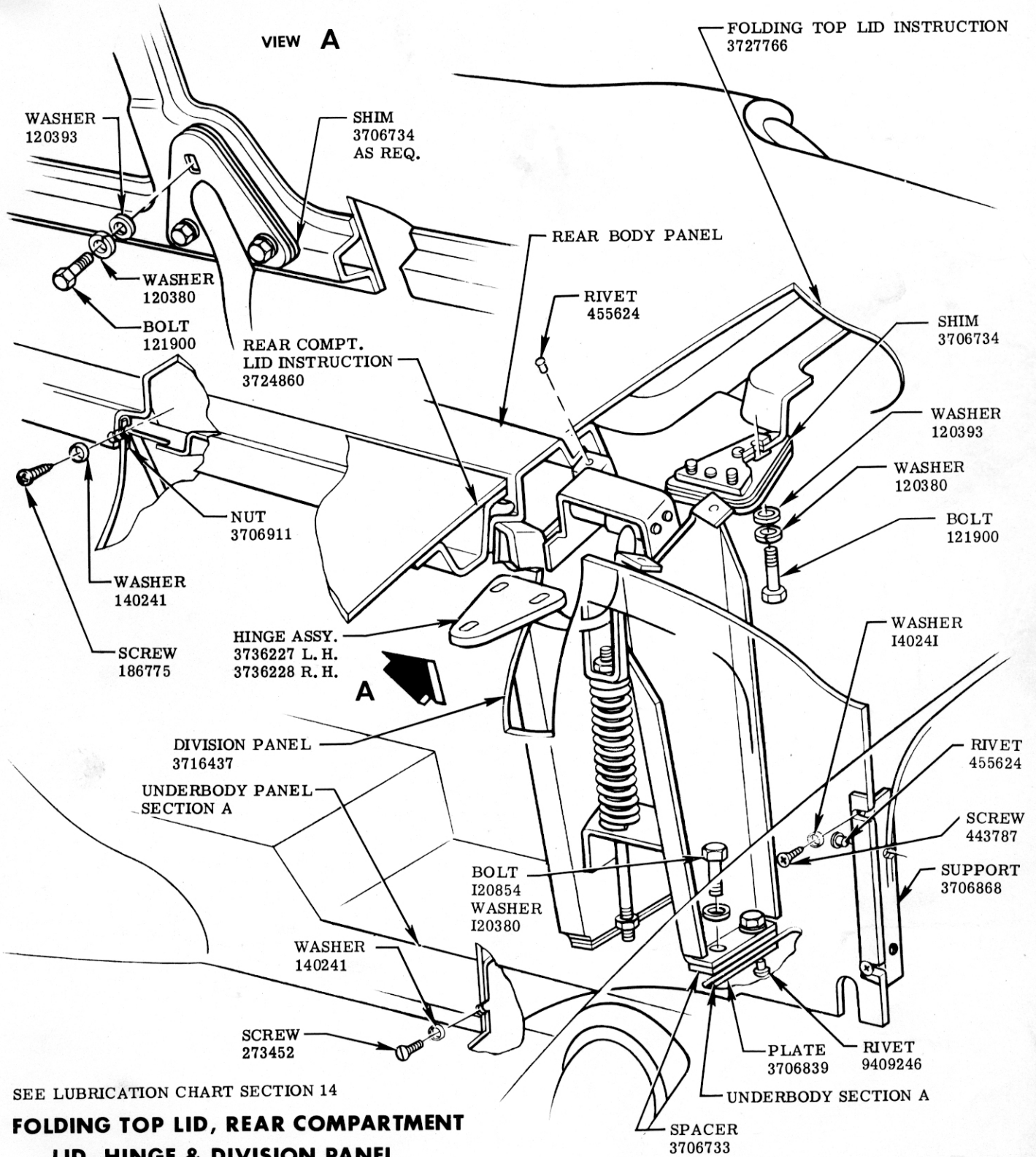
WYXJM JIMMICKI



REAR END



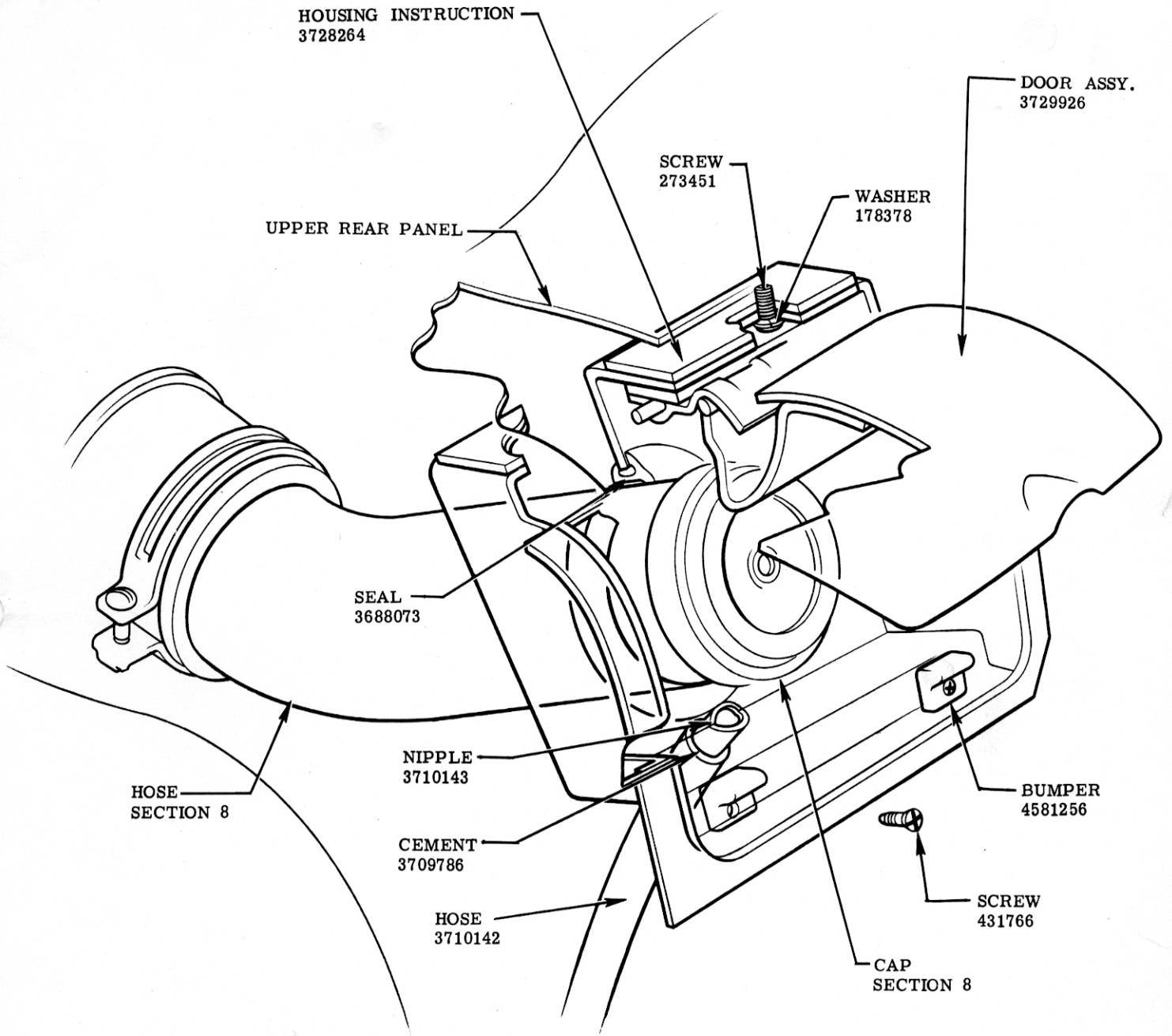
					NAME				CORVETTE INSTRUCTION MANUAL			
					REF.	DRAWN		CHECKED		SECT.	SHEET	
						C. C.		W. M.		E	1.00	
					DATE	PART No.						
4-30-57	16	REDRAWN	501	F	9-15-55	3726900						
DATE	SYM.	REVISION RECORD		AUTH.	DR.	CK.						



SEE LUBRICATION CHART SECTION 14

FOLDING TOP LID, REAR COMPARTMENT LID, HINGE & DIVISION PANEL

						CORVETTE INSTRUCTION MANUAL				
						REF.	DRAWN C. C.	CHECKED L. S.	SECT.	SHEET
7-31-56	8	REDRAWN & REVISED FOR 57	8250		F	DATE 9-15-56	PART No. 3726900		E	2.00
DATE	SYM.	REVISION RECORD	AUTH.	DR.	CK.					

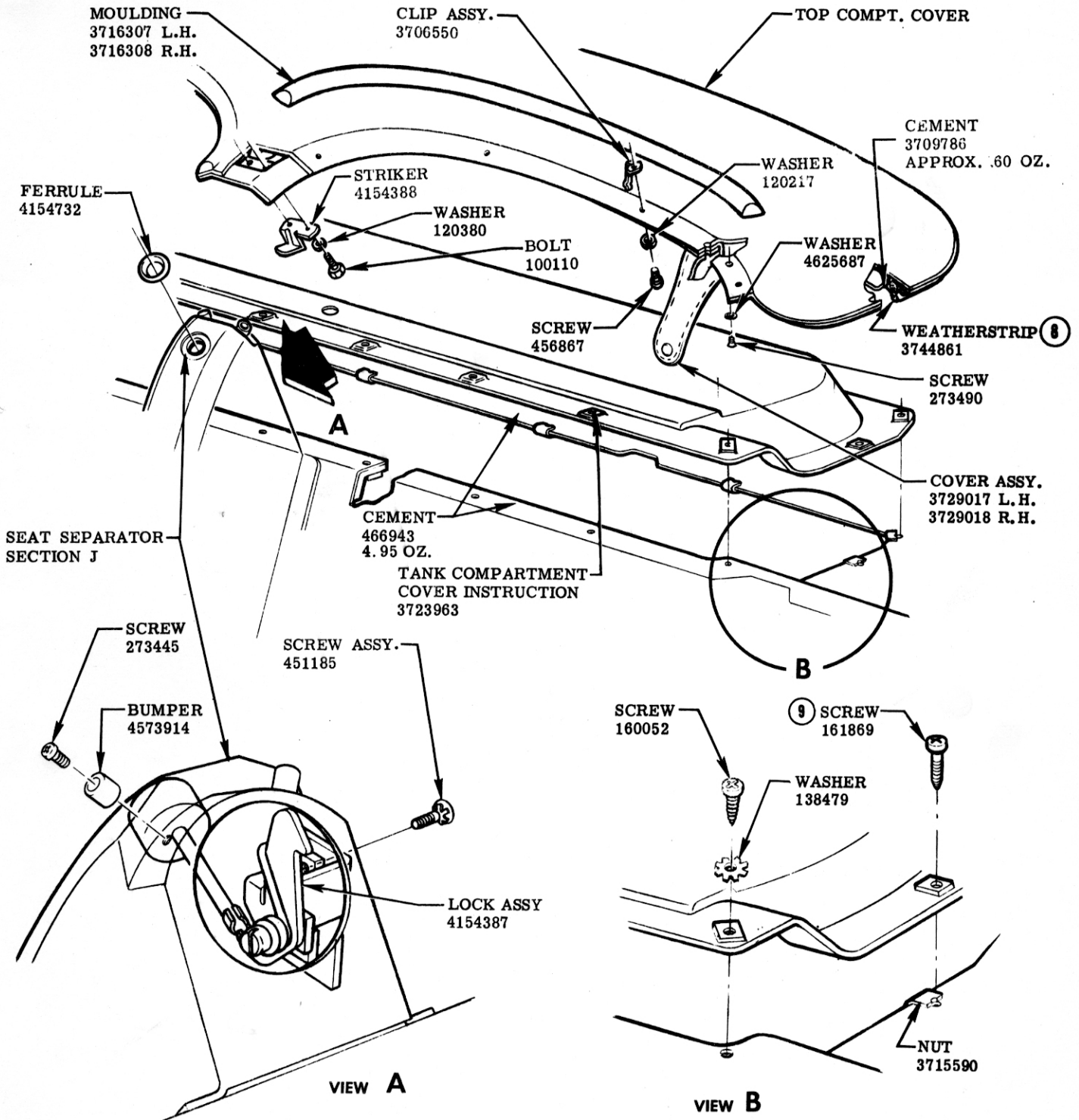


SEE LUBRICATION CHART SECTION 14

GASOLINE TANK FILLER

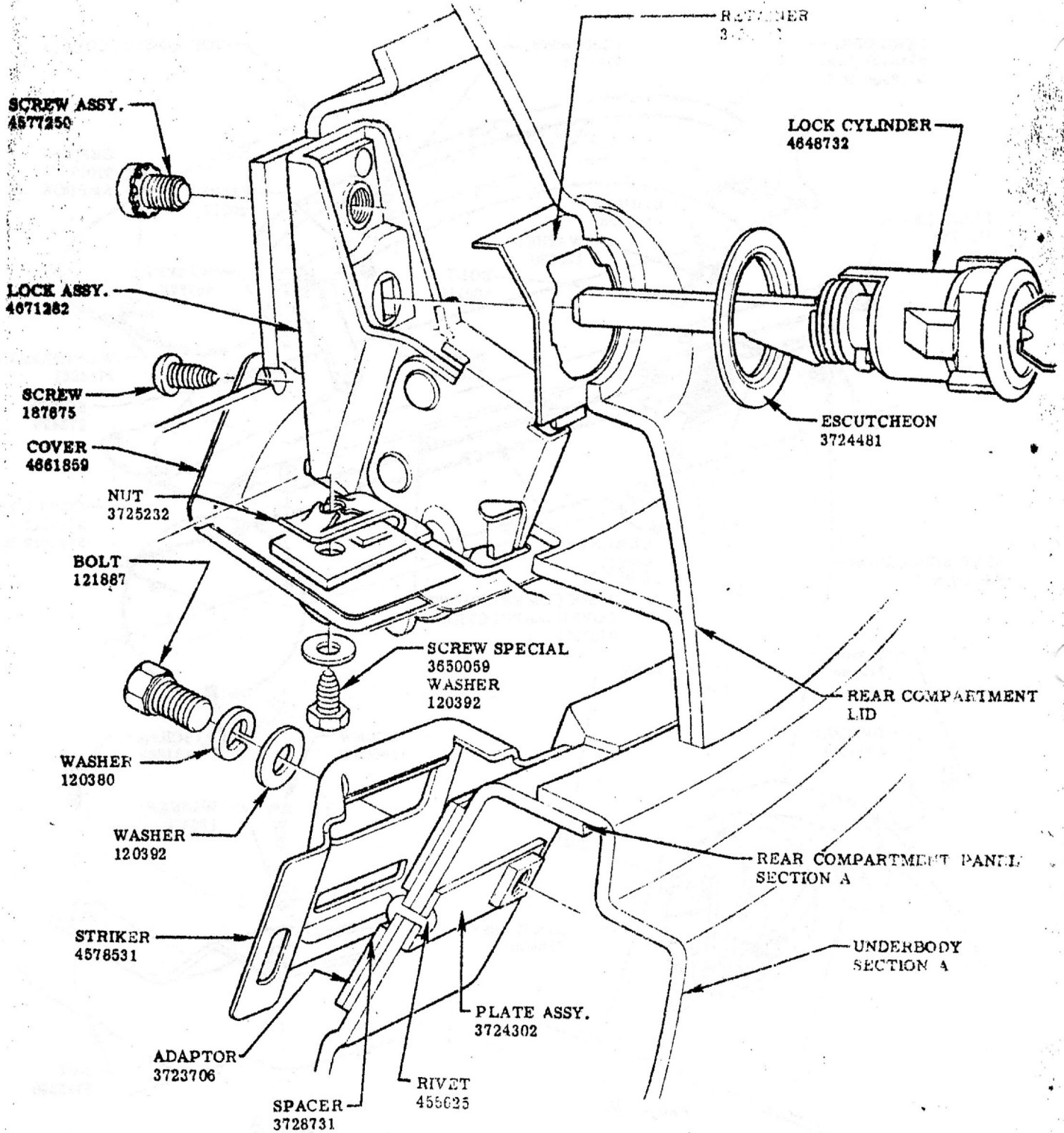
						NAME	CORVETTE INSTRUCTION MANUAL			
						REF.	DRAWN W. S.	CHECKED L. S.	SECT.	SHEET
						DATE	PART No.		E	3.00
DATE	SYM.	REVISION RECORD	AUTH.	DR.	CK.	9-15-55	3726900			

Schwartz



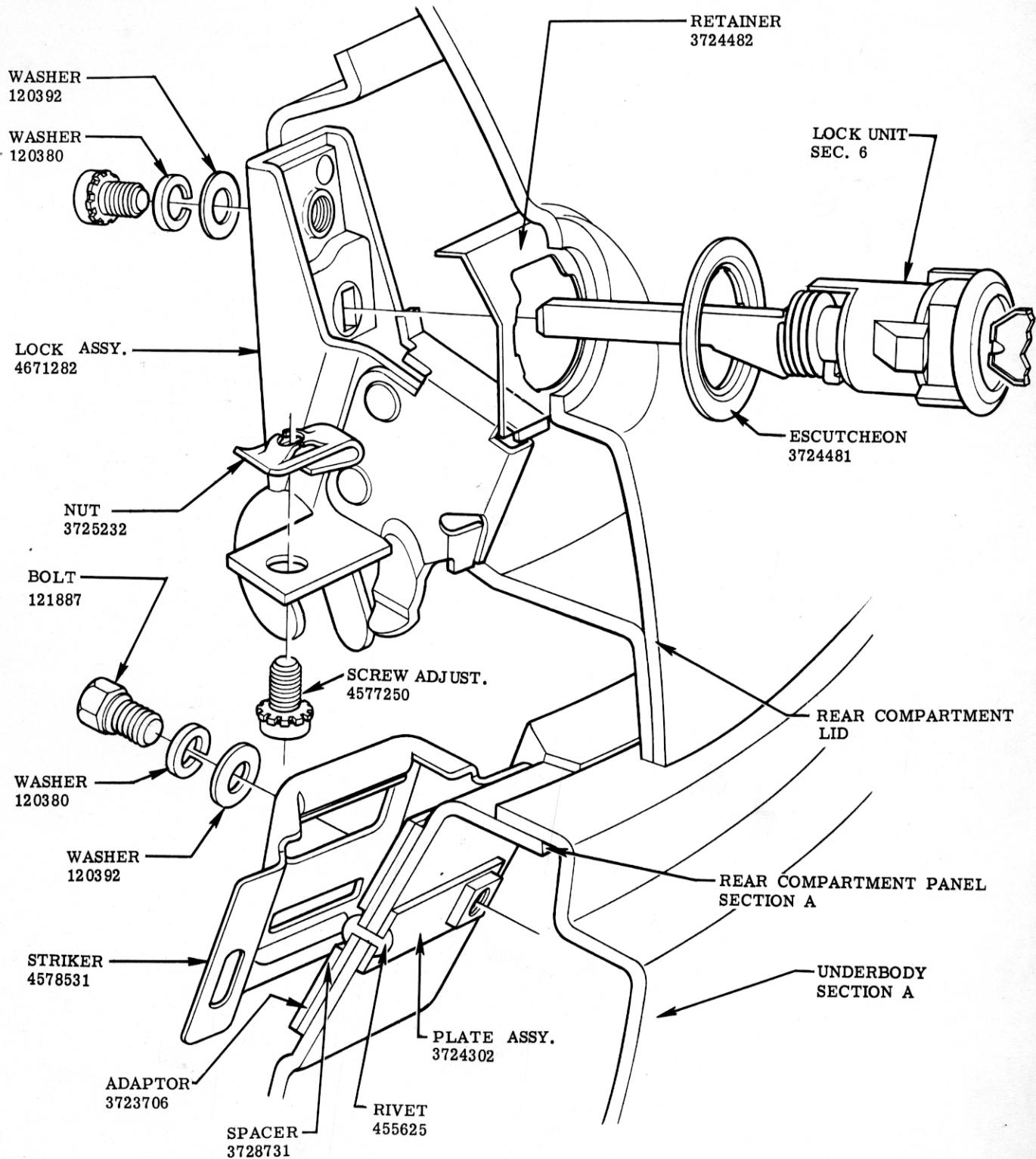
FOLDING TOP LID LOCK, MOULDING & WEATHERSTRIP & FUEL TANK COVER

					NAME CORVETTE INSTRUCTION MANUAL					
DATE	SYM.	REVISION RECORD	AUTH.	DR.	CK.	REF.	DRAWN	CHECKED	SECT.	SHEET
4-2-57	9	WAS 161860	481		F					
	8	WAS 3715490			F					
2-27-57	7	REDRAWN	308	V						
						DATE	PART No.		E	4.00
						9-15-55	3726900			



SEE LUBRICATION CHART SECTION 14
REAR COMPARTMENT LID LOCK.

					CORVETTE INSTRUCTION MANUAL				
DATE		SYM.		REVISION RECORD		AUTH.		DR. CK.	
4-9-56	1	REDRAWN & REVISED	7818	7195	V	F			
			4820						
DATE		SYM.		REVISION RECORD		AUTH.		DR. CK.	
						9-15-55		37264010	
								E 5.00	



SEE LUBRICATION CHART SECTION 14
REAR COMPARTMENT LID LOCK.

				NAME					CORVETTE INSTRUCTION MANUAL				
				REF.	DRAWN C.C.		CHECKED W.M.		SECT.	SHEET			
				DATE	PART No.					E 5.00			
DATE	SYM.	REVISION RECORD		AUTH.	DR.	CK.	9-15-55		3726900				

