

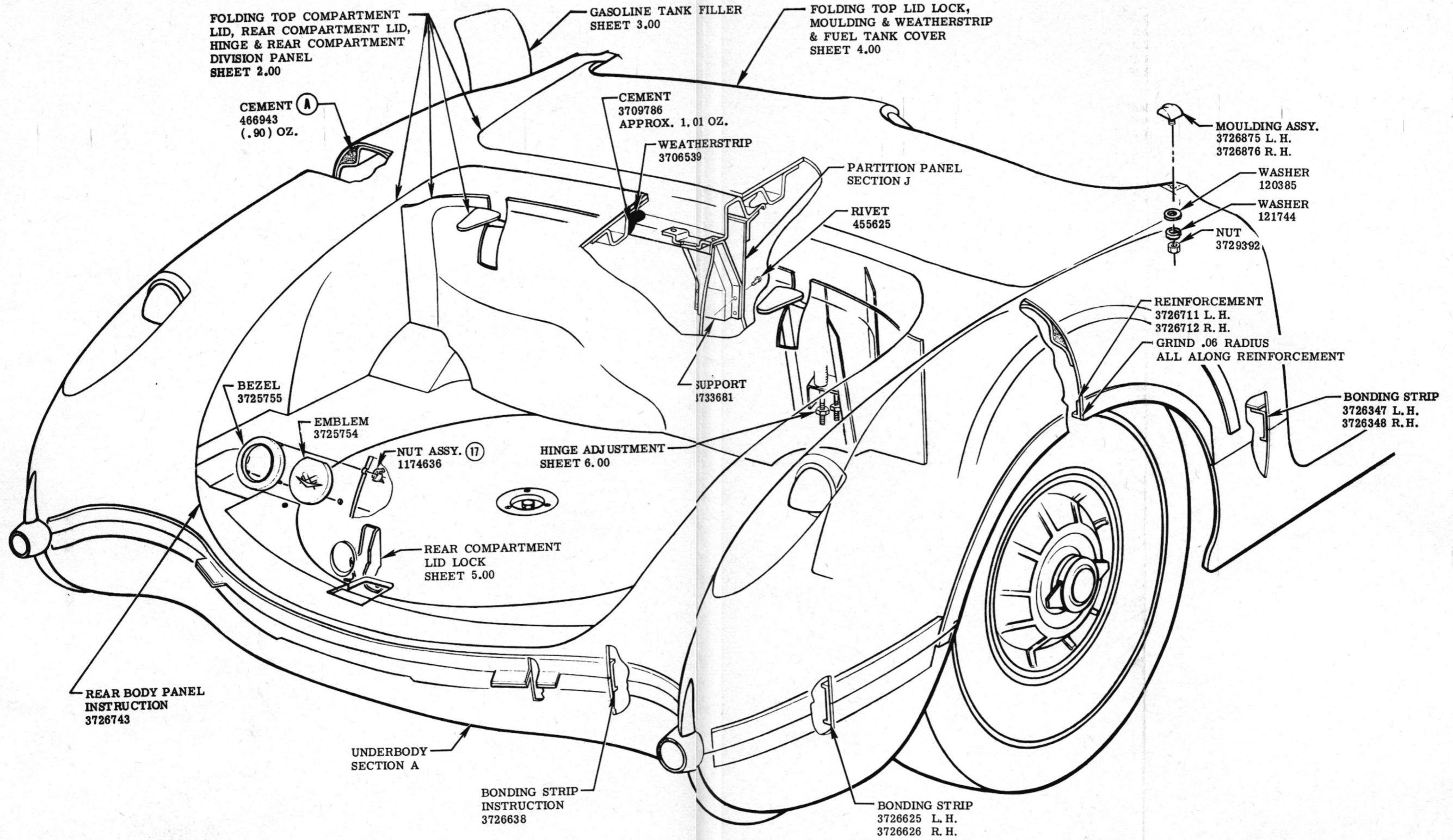
XXXXXXXXXX

XXXXXXXXXX

XXXXXXXXXX

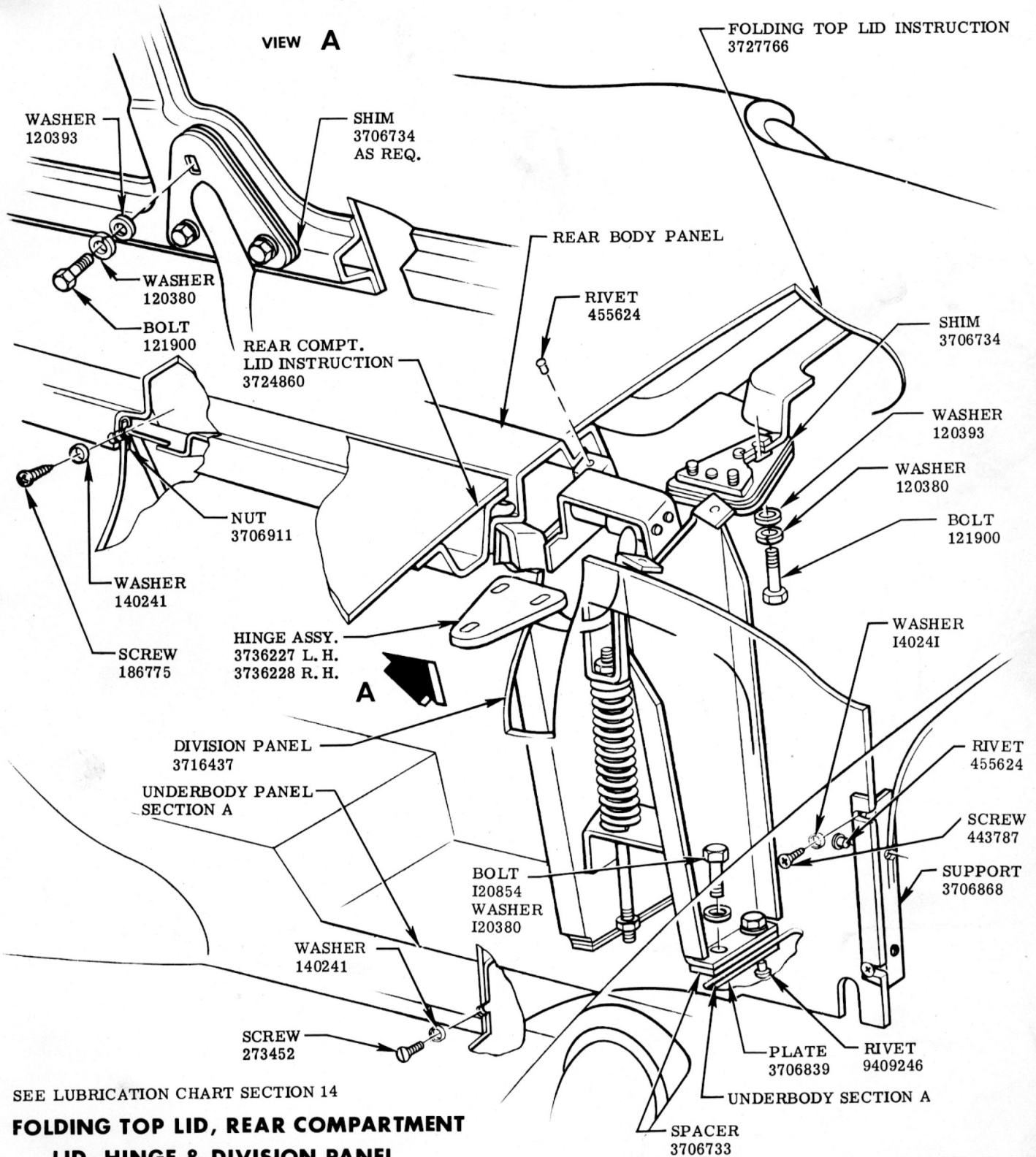
XX





REAR END

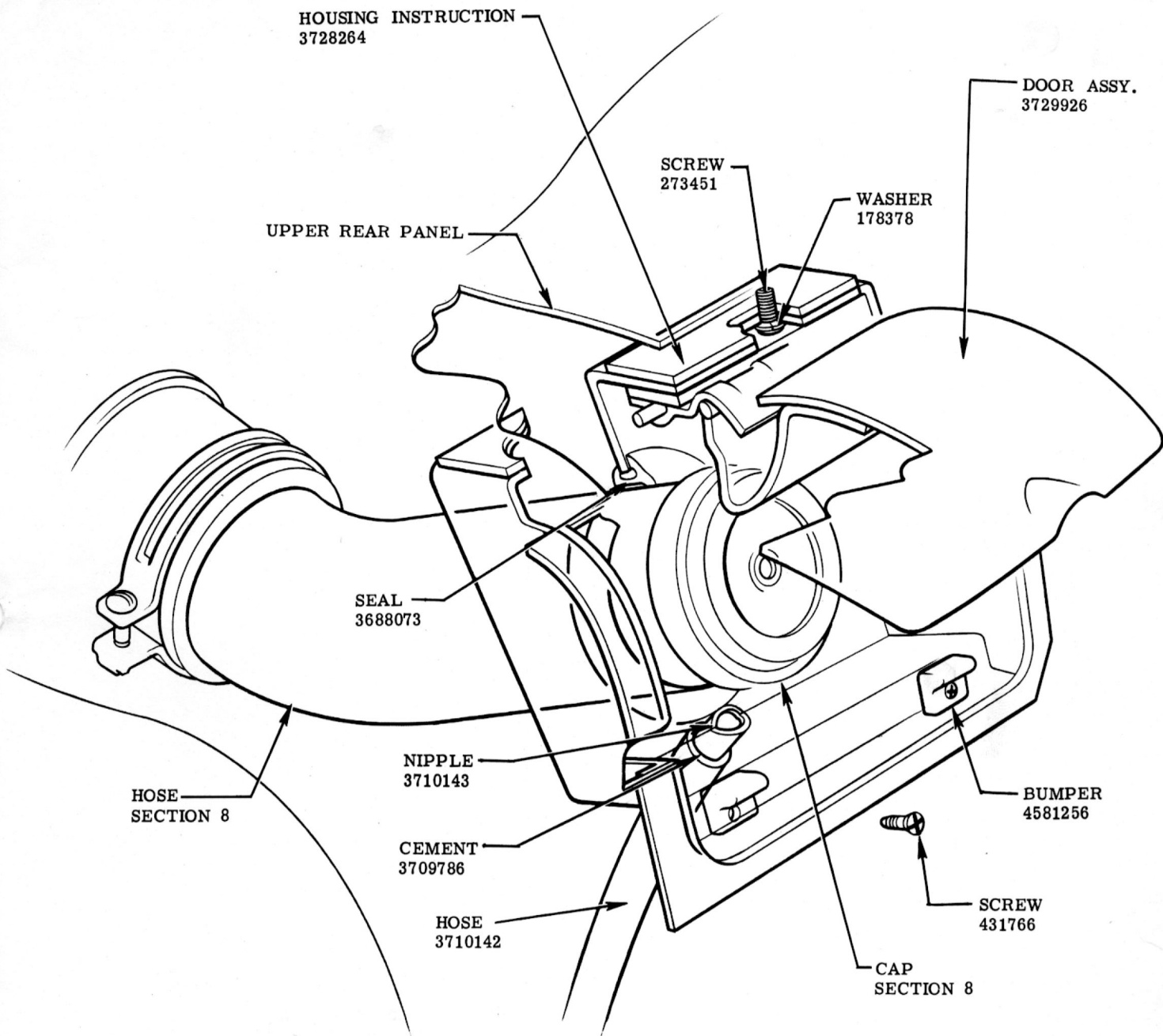
CORVETTE INSTRUCTION MANUAL					
REF.	DATE	SYM.	AUTH.	DR.	CK.
17					F
4-30-57	16		501		
DATE		REVISION RECORD		AUTH. DR. CK.	
9-15-55					
NAME		DRAWN		CHECKED	
CORVETTE INSTRUCTION MANUAL		C. C.		W. M.	
DATE		PART No.		SECT.	
9-15-55		3726900		E	
					SHEET
					1.00



SEE LUBRICATION CHART SECTION 14

FOLDING TOP LID, REAR COMPARTMENT LID, HINGE & DIVISION PANEL

					NAME					CORVETTE INSTRUCTION MANUAL				
					REF.		DRAWN		CHECKED		SECT.		SHEET	
7-31-56					8		C. C.		L. S.		E		2.00	
REDRAWN & REVISED FOR 57					8250									
					2335									
DATE					SYM.		REVISION RECORD		AUTH.		DR.		CK.	
					DATE		PART No.							
					9-15-56		3726900							

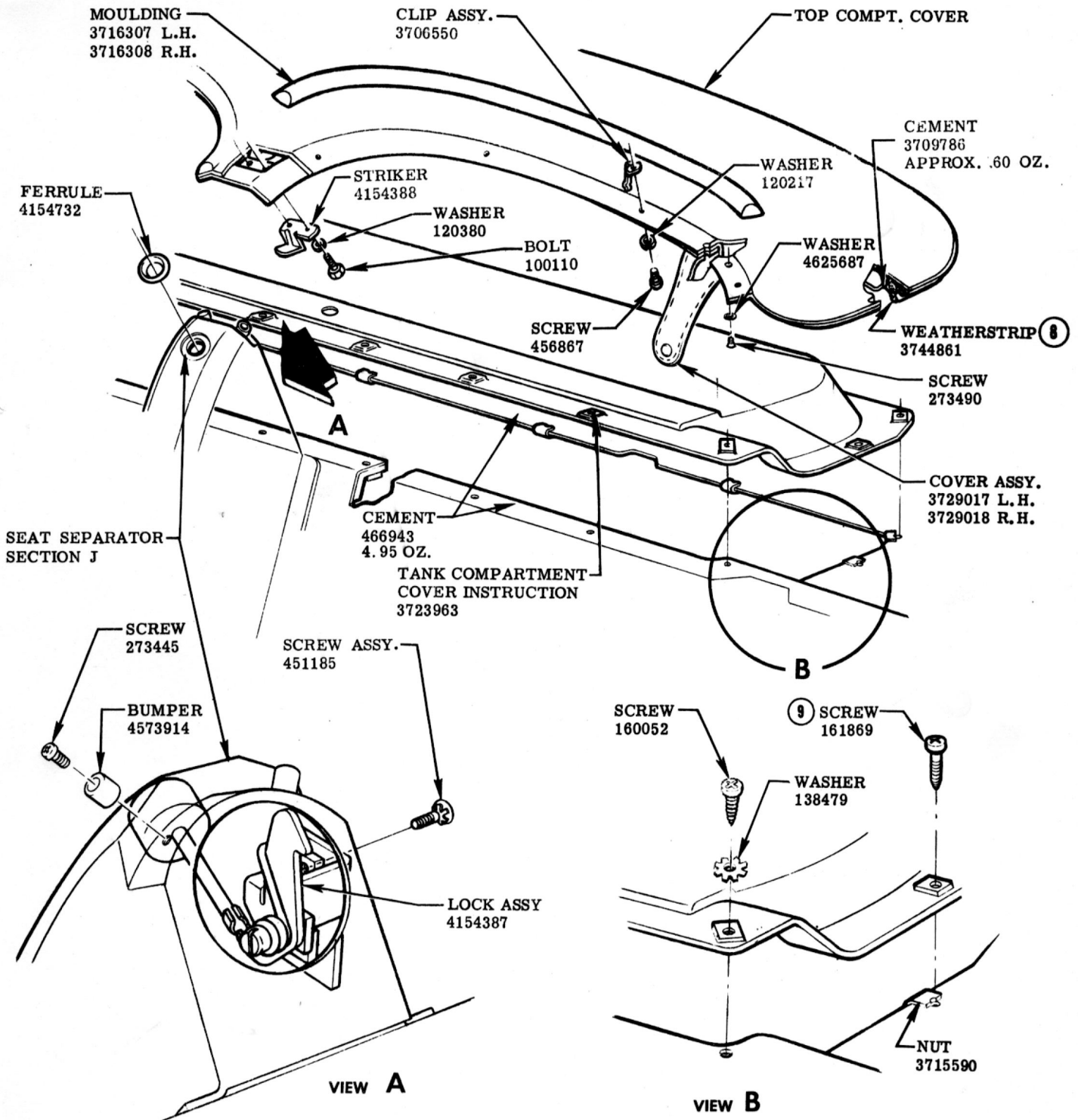


SEE LUBRICATION CHART SECTION 14

GASOLINE TANK FILLER

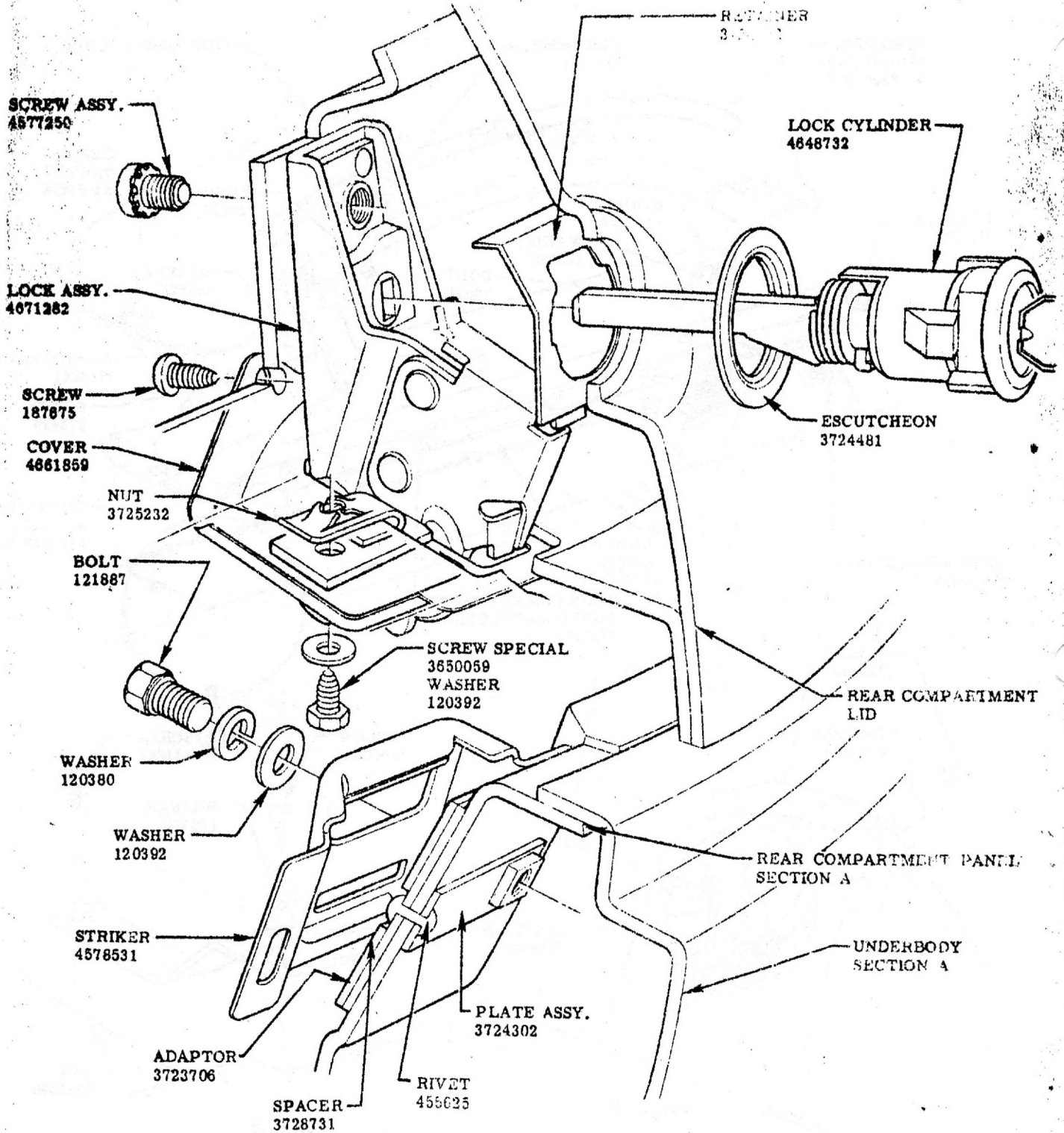
						NAME	CORVETTE INSTRUCTION MANUAL			
						REF.	DRAWN W. S.	CHECKED L. S.	SECT.	SHEET
						DATE	PART No.		E	3.00
DATE	SYM.	REVISION RECORD		AUTH.	DR.	CK.	9-15-55	3726900		

Schwartz



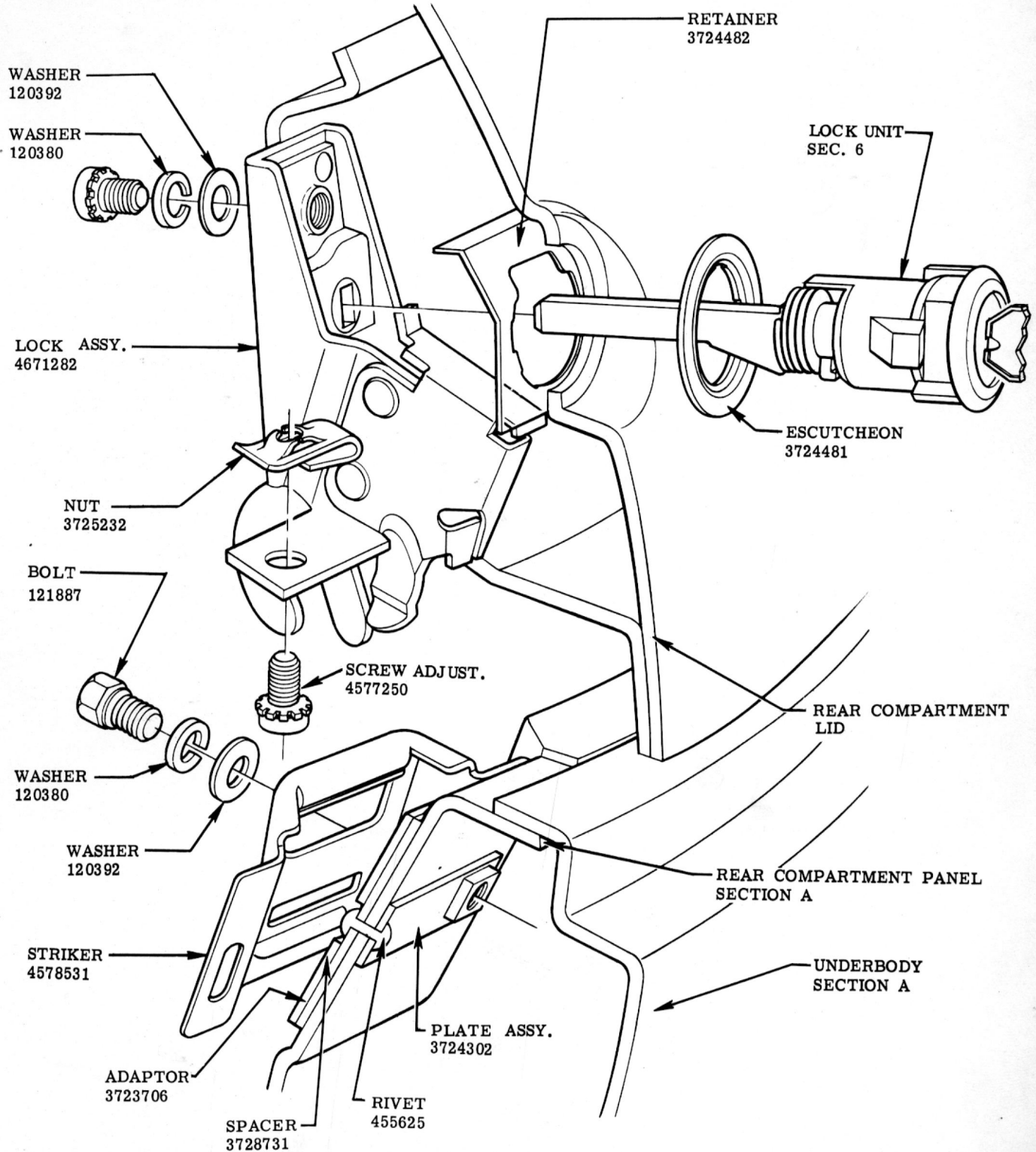
FOLDING TOP LID LOCK, MOULDING & WEATHERSTRIP & FUEL TANK COVER

					NAME CORVETTE INSTRUCTION MANUAL					
DATE	SYM.	REVISION RECORD	AUTH.	DR.	CK.	REF.	DRAWN	CHECKED	SECT.	SHEET
4-2-57	9	WAS 161860	481		F					
	8	WAS 3715490			F					
2-27-57	7	REDRAWN	308	V						
						DATE	PART No.		E	4.00
						9-15-55	3726900			



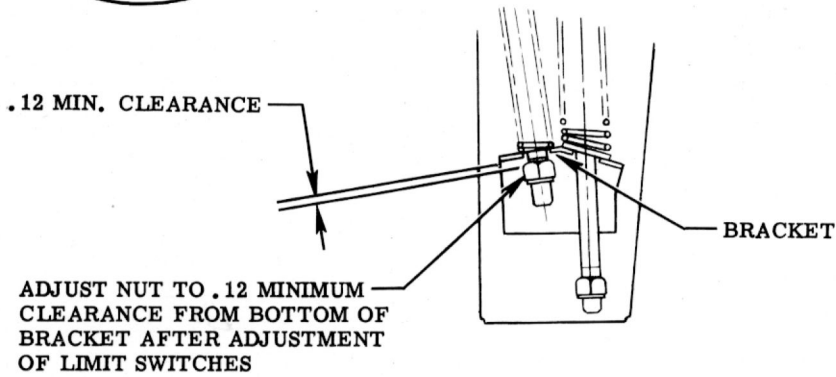
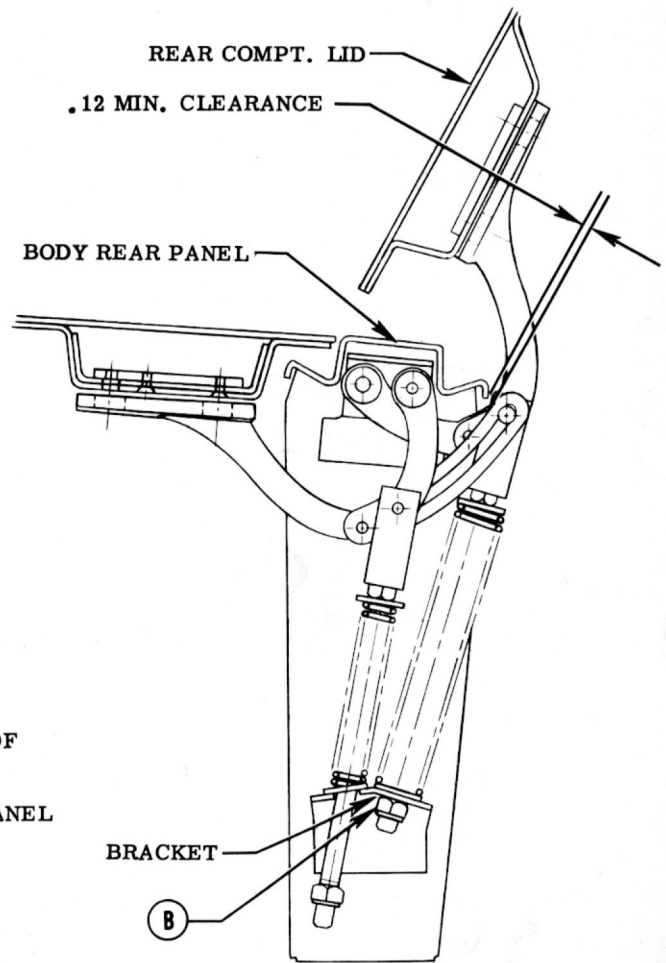
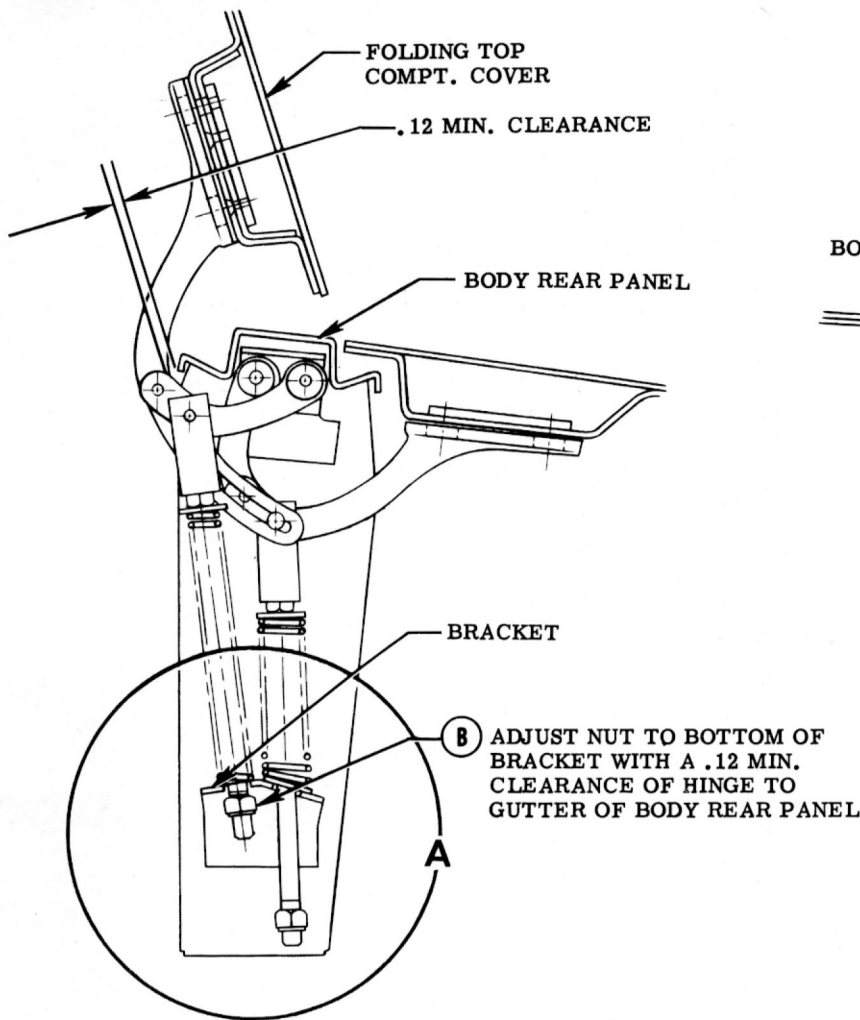
SEE LUBRICATION CHART SECTION 14
REAR COMPARTMENT LID LOCK.

					CORVETTE INSTRUCTION MANUAL				
DATE		SYM.		REVISION RECORD		AUTH.		DR. CK.	
4-9-56	1	REDRAWN & REVISED	7818	7195	V	F			
			4820						
DATE		SYM.		REVISION RECORD		AUTH.		DR. CK.	
9-15-55									
NAME		DRAWN C.C.		CHECKED W.M.		SECT.		SHEET	
REF.		DATE		PART NO.		37264010		E 5.00	



SEE LUBRICATION CHART SECTION 14
REAR COMPARTMENT LID LOCK.

					NAME					CORVETTE INSTRUCTION MANUAL				
					REF.		DRAWN C.C.		CHECKED W.M.		SECT.		SHEET	
					DATE		PART No.				E		5.00	
DATE					9-15-55		3726900							
SYM.					REVISION RECORD					AUTH. DR. CK.				



VIEW A
RPO 473

HINGE ADJUSTMENT

						NAME	CORVETTE INSTRUCTION MANUAL			
						REF.	DRAWN	CHECKED	SECT.	SHEET
						2209	V	F	E	6.00
7-31-56		RELEASED			F	DATE	PART No.			
DATE	SYM.	REVISION RECORD	AUTH.	DR.	CK.	7-11-56	3726900			