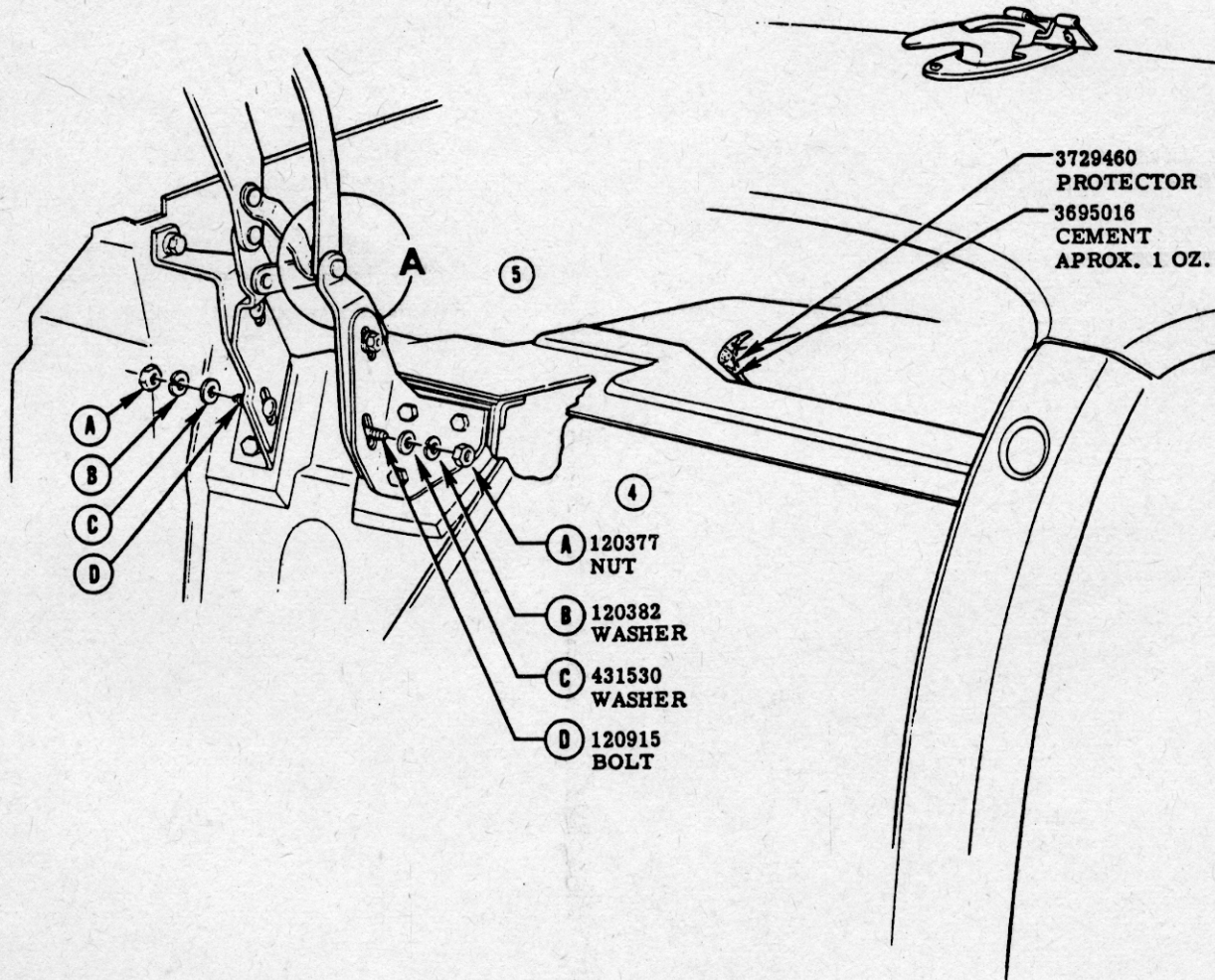
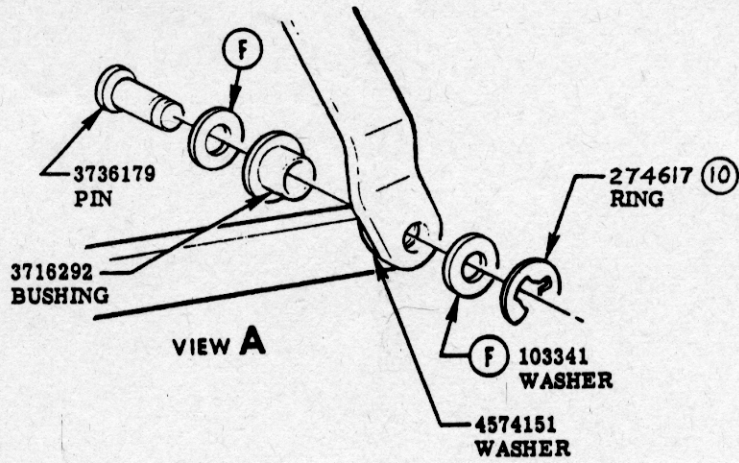


WYLLIKIN
WYLLIKIN

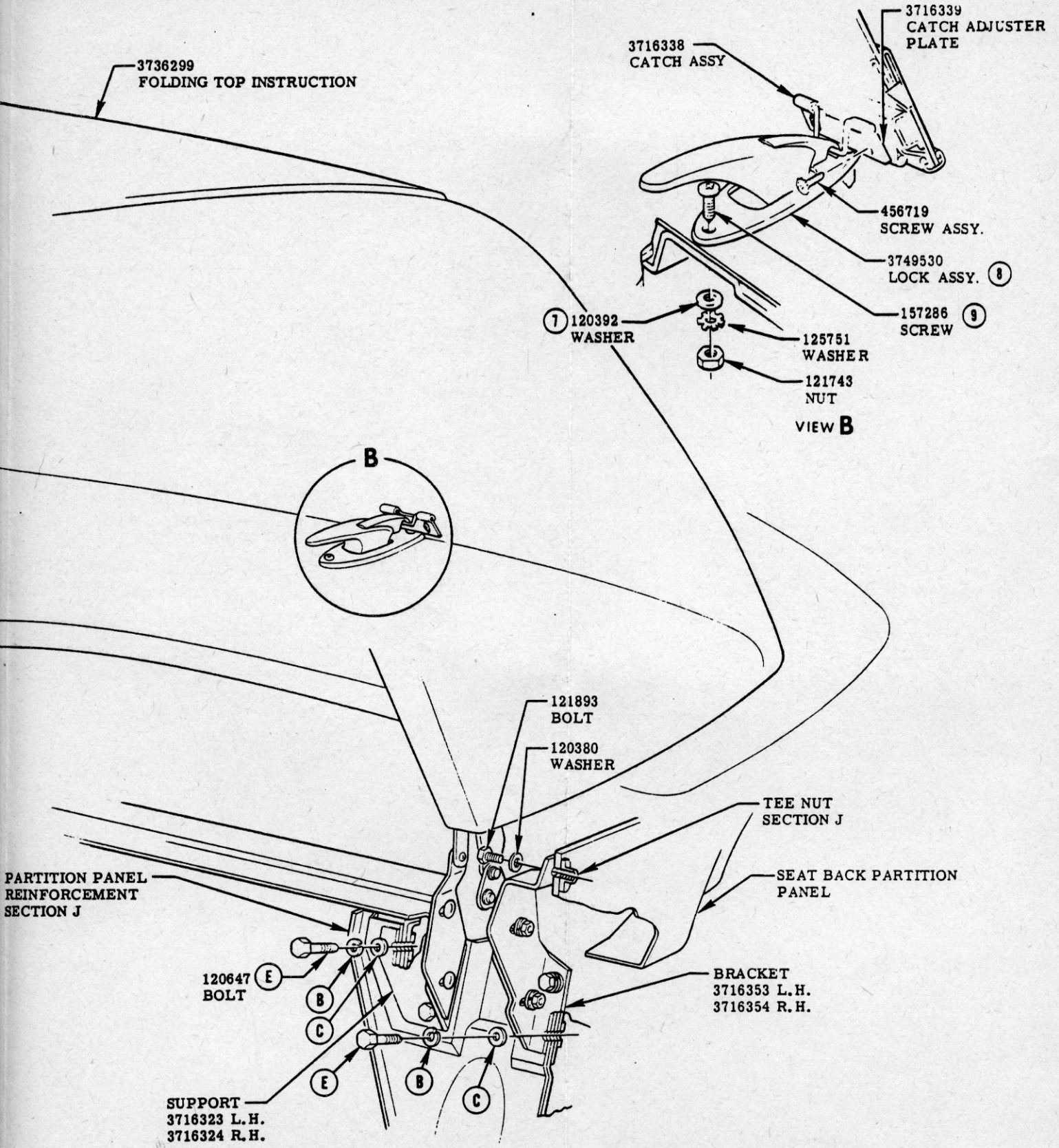
WYLLIKIN
WYLLIKIN

✓

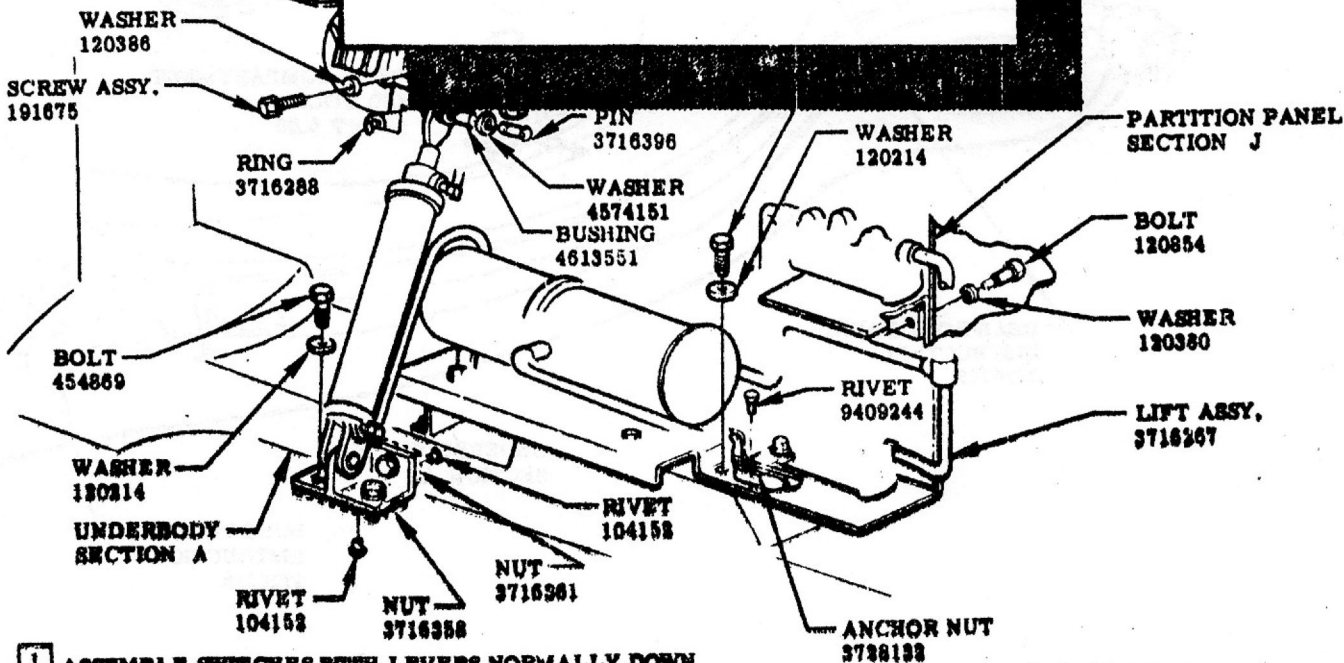
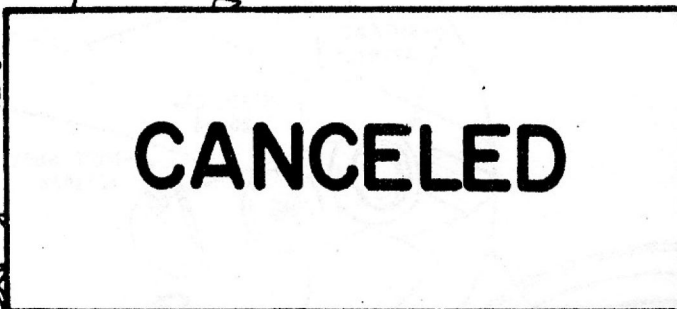
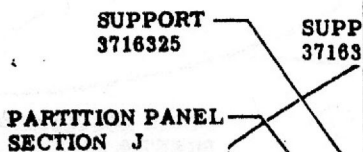
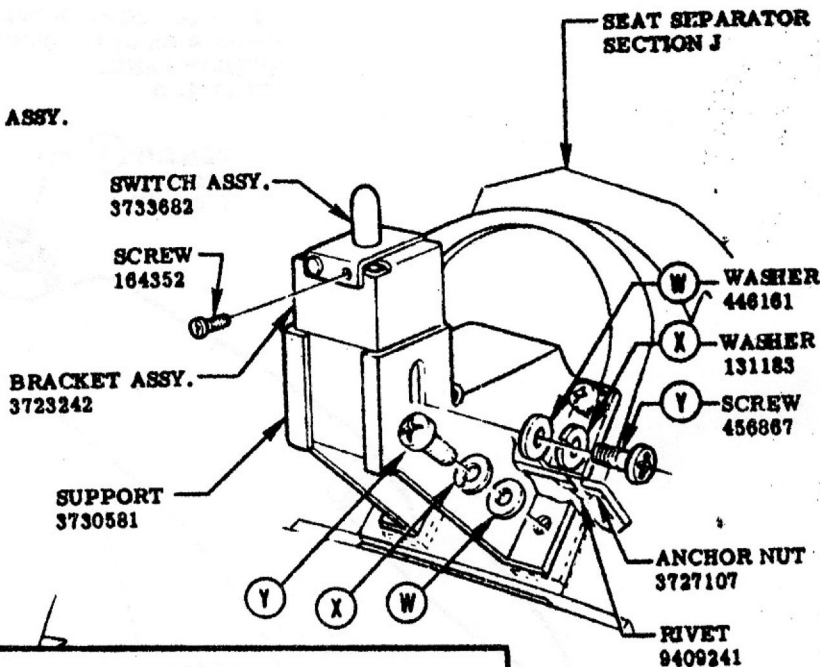
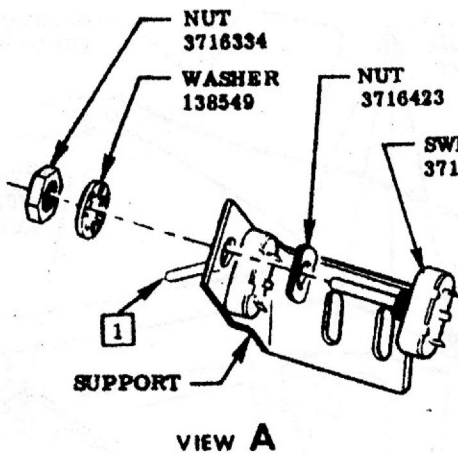




GENERAL MOTORS CORPORATION

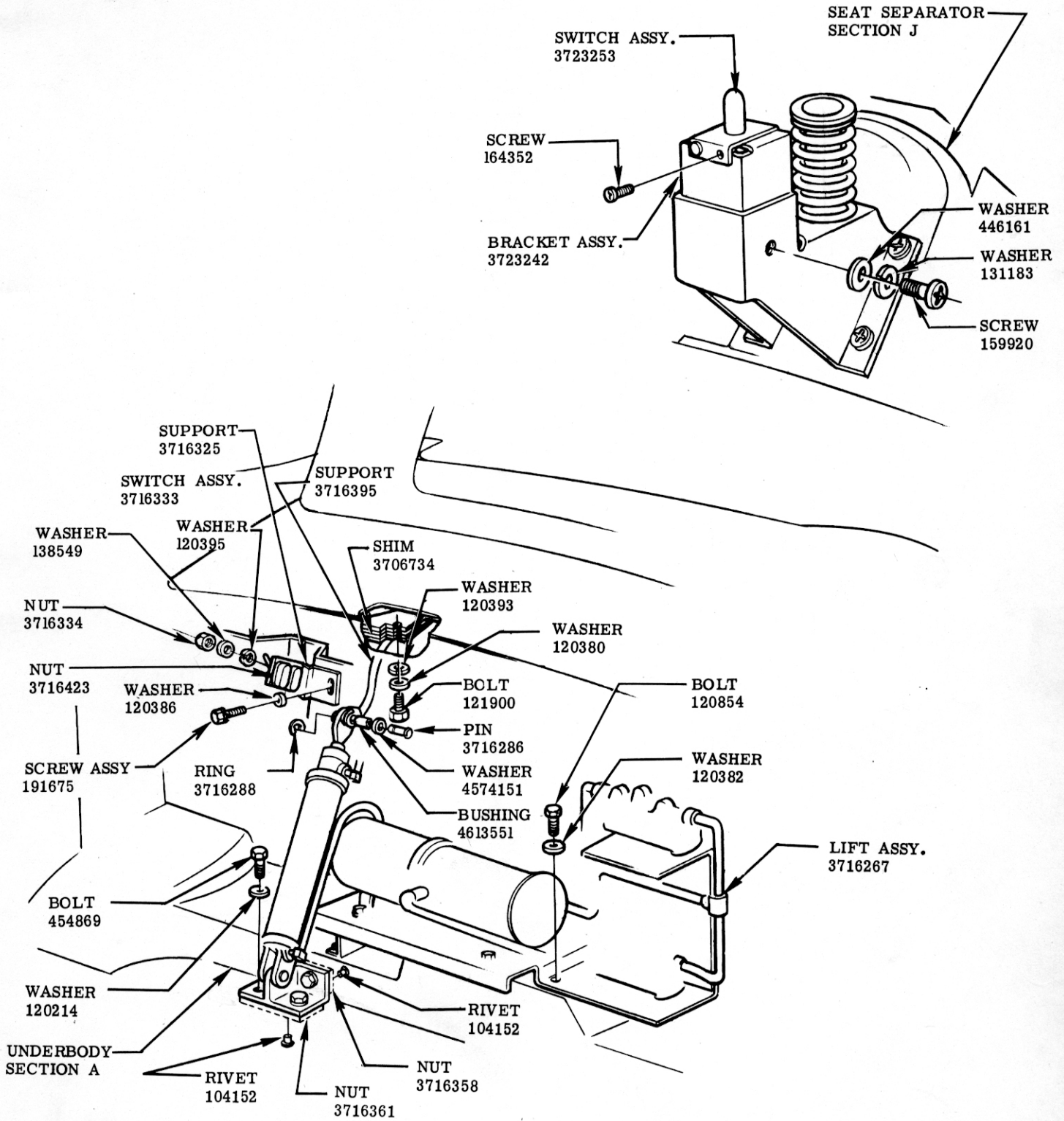


6-11-57	10	WAS 3716288	9578		F	NAME CORVETTE INSTRUCTION MANUAL				
	9	PART ADDED			F	REF.	DRAWN C.C.	CHECKED W.M.	SECT.	SHEET
5-13-57	8	WAS 3716337	499		F				C	1.00
3-15-57	7	PART ADDED	433		F					
7-31-56	6	REDRAWN & REVISED FOR 57	2574	V	F	DATE 9-15-55	PART No. 3726900			
DATE	SYM.	REVISION RECORD		AUTH.	DR.	CK.				



1 ASSEMBLE SWITCHES WITH LEVERS NORMALLY DOWN
FOLDING TOP SWITCHES & HYDRAULIC LIFT

				CORVETTE INSTRUCTION MANUAL			
REV.	UNAWN	CHANGES	SECT.	DATE	PART No.	REV.	
0-4-55	G.O.	W.M.	C	8-16-55	3724900	2.0	
DATE	SYM.	REVISION RECORD	AUTH.	DR.	CL.		



FOLDING TOP SWITCHES & HYDRAULIC LIFT

					NAME CORVETTE INSTRUCTION MANUAL				
					REF.	DRAWN C. C.	CHECKED W. M.	SECT. C	SHEET 2.00
					DATE 9-15-55	PART No. 3726900			
DATE	SYM.	REVISION RECORD	AUTH.	DR.	CK.				