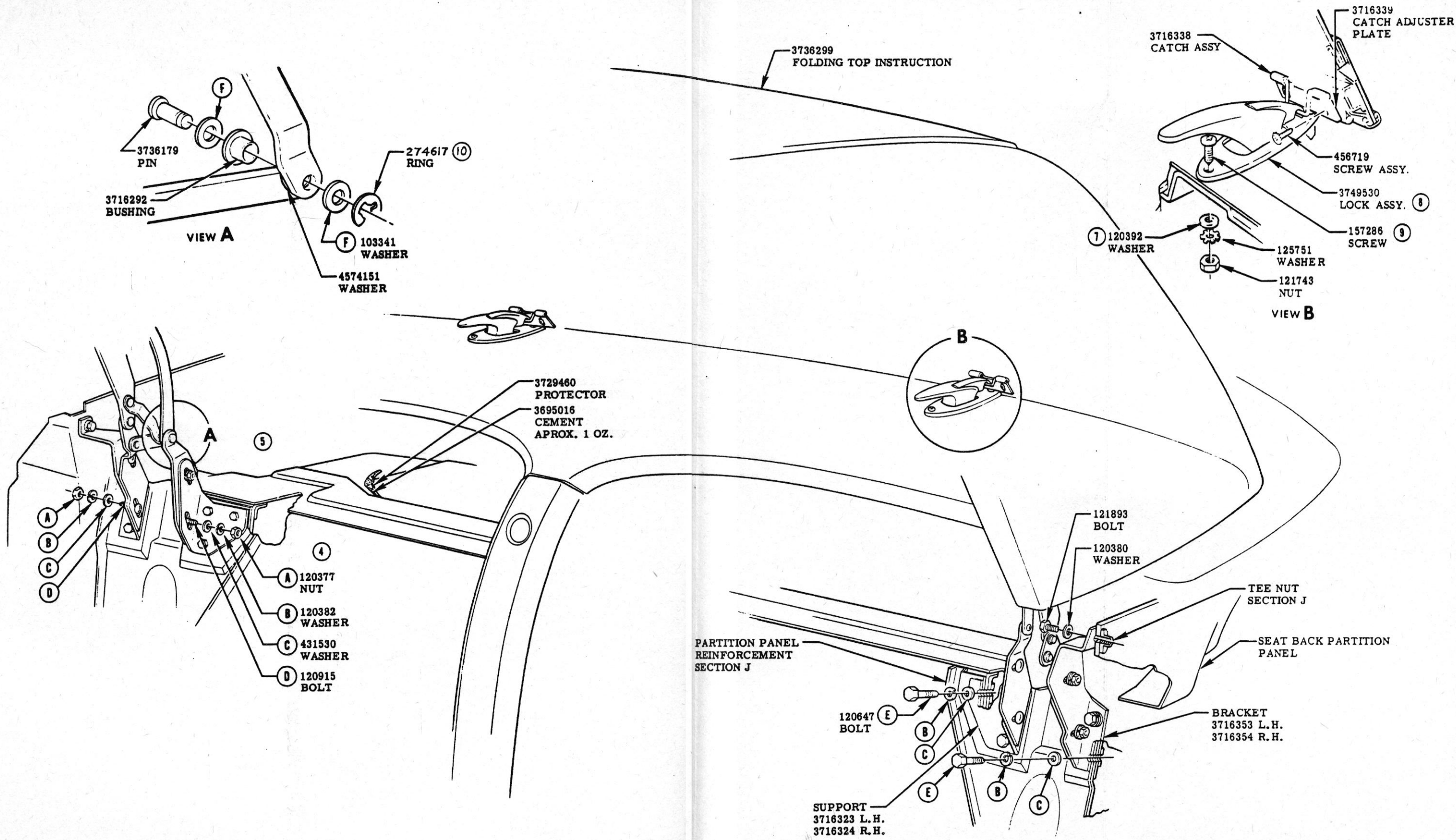


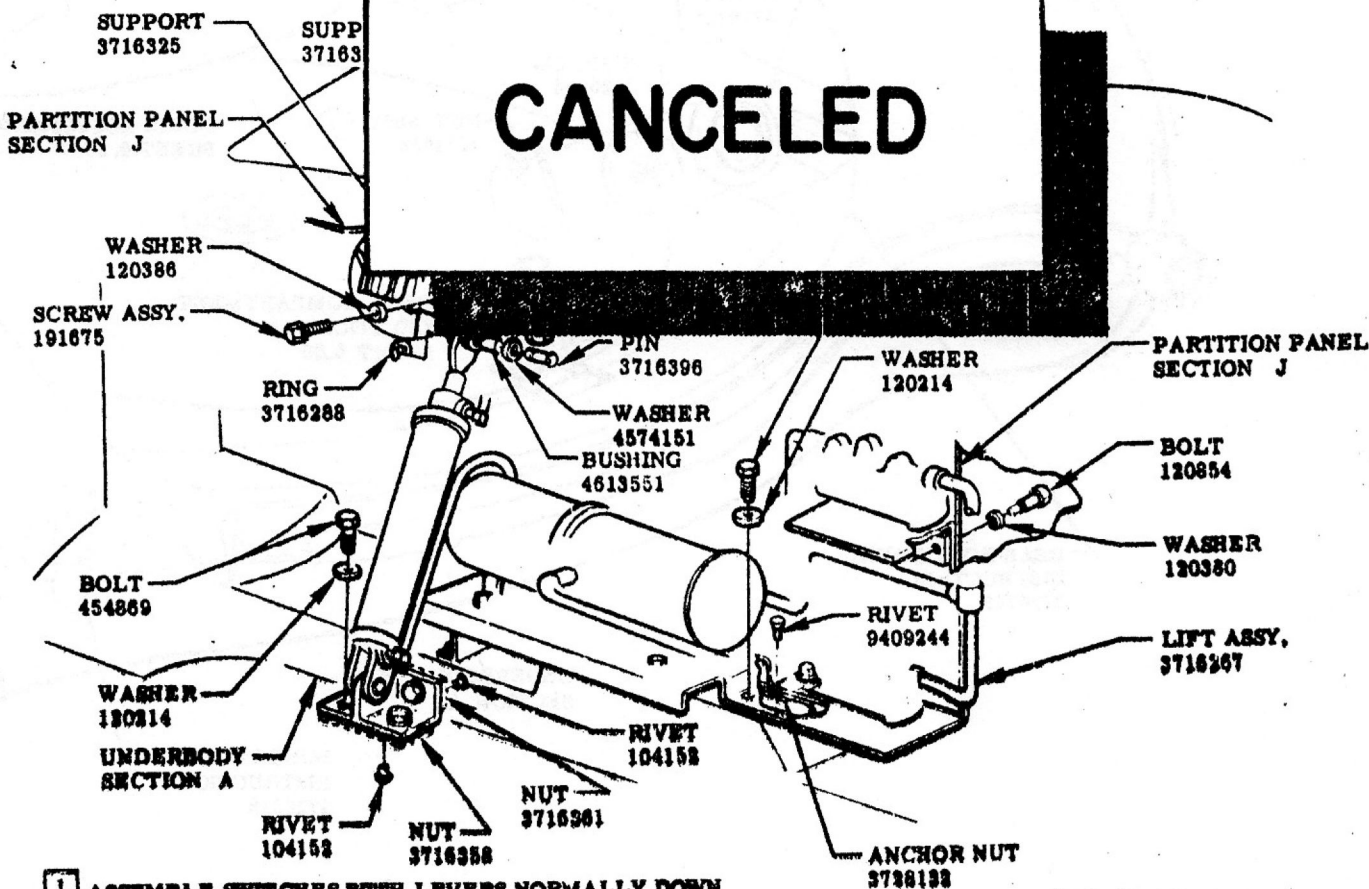
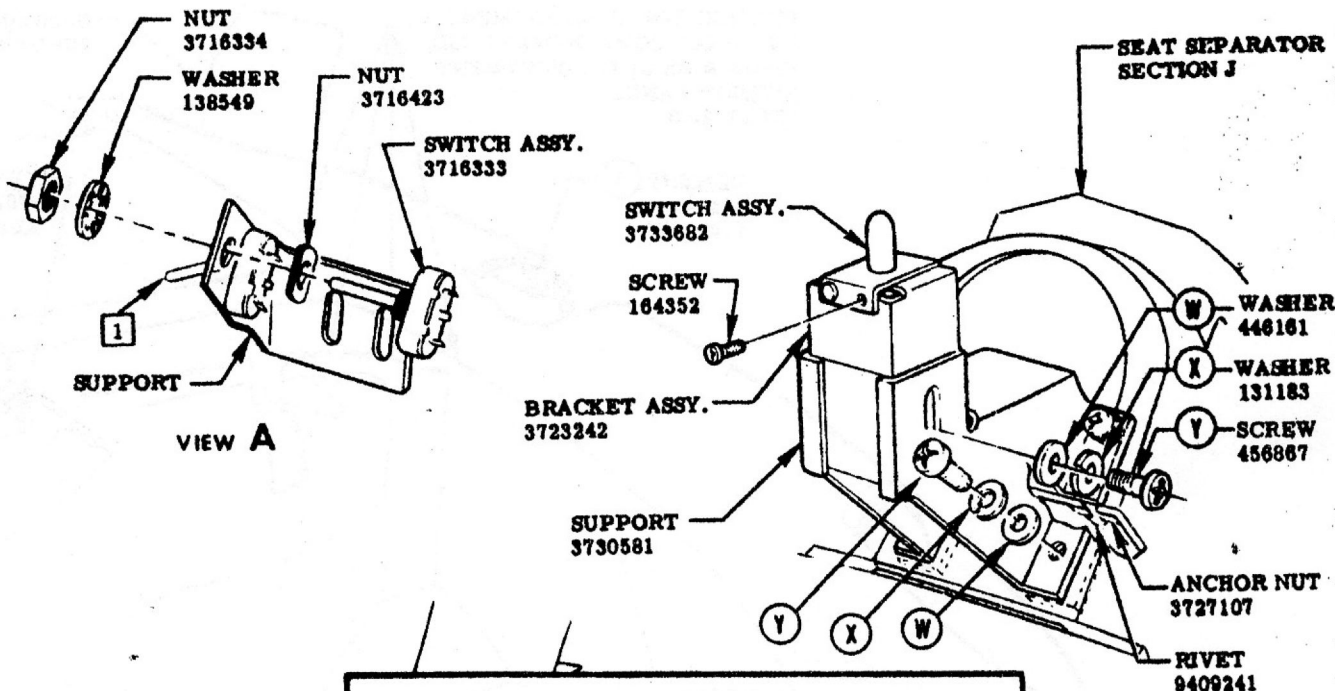
WYLLIKOFF
WYLLIKOFF

WYLLIKOFF
WYLLIKOFF

✓

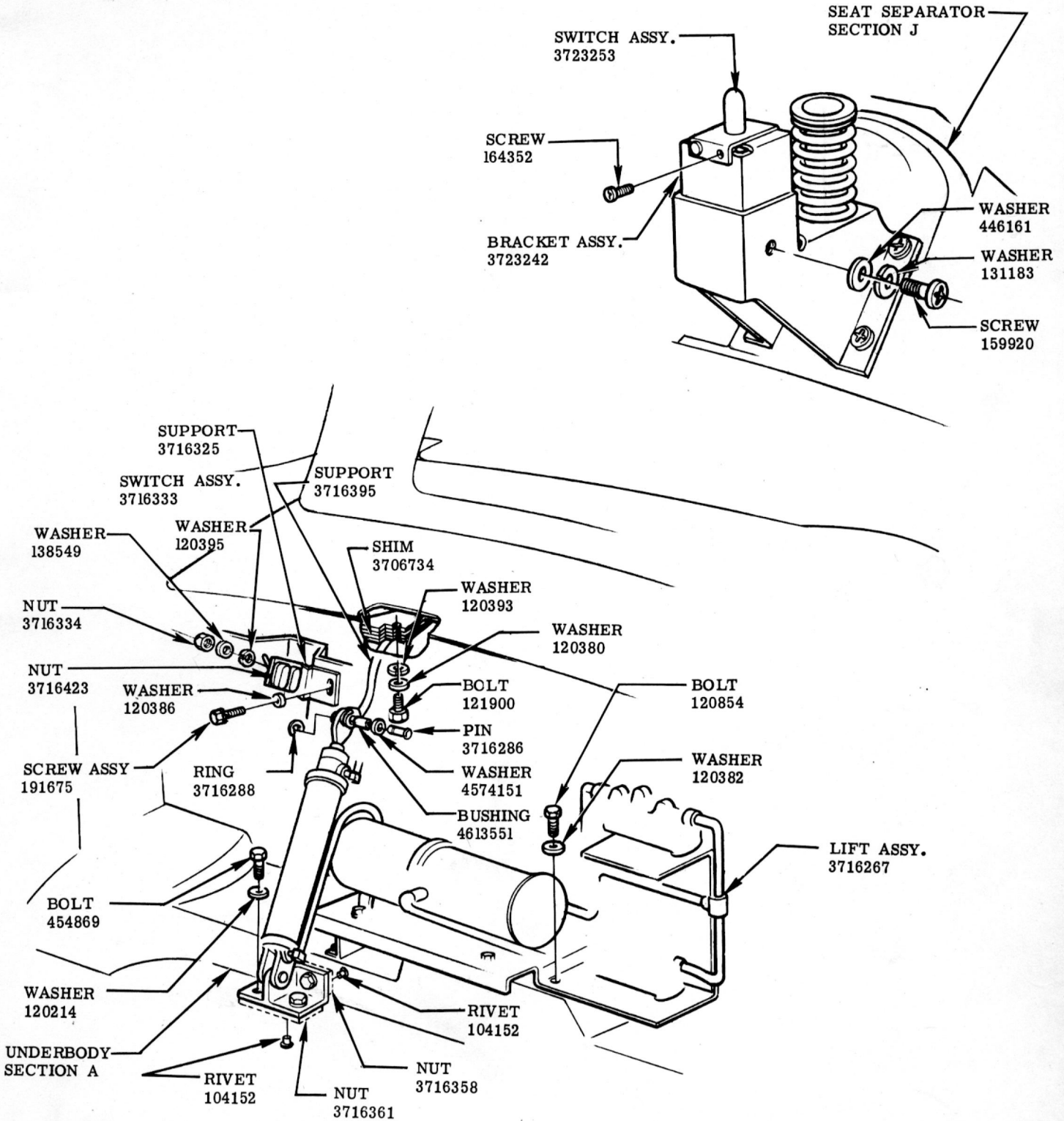


6-11-57	10	WAS 3716288	9578	F	NAME	CORVETTE INSTRUCTION MANUAL			
	9	PART ADDED		F	REF.	DRAWN C.C.	CHECKED W.M.	SECT.	SHEET
5-13-57	8	WAS 3716337	499					C	1.00
3-15-57	7	PART ADDED	433	F	DATE	PART No.			
7-31-56	6	REDRAWN & REVISED FOR 57	2574	V F	9-15-55	3726900			
DATE	SYM.	REVISION RECORD	AUTH.	DR.	CK.				



1 ASSEMBLE SWITCHES WITH LEVERS NORMALLY DOWN
FOLDING TOP SWITCHES & HYDRAULIC LIFT

				CORVETTE INSTRUCTION MANUAL			
REV.	UNAWN	CHANGES	SECT.	DATE	PART No.	REV.	
0-4-55	G.O.	W.M.	C	8-16-55	3724900	2.0	
DATE	SYM.	REVISION RECORD	AUTH.	DR.	CL.		



FOLDING TOP SWITCHES & HYDRAULIC LIFT

						NAME CORVETTE INSTRUCTION MANUAL				
						REF.	DRAWN C. C.	CHECKED W. M.	SECT. C	SHEET 2.00
						DATE 9-15-55	PART No. 3726900			
DATE	SYM.	REVISION RECORD		AUTH.	DR.	CK.				