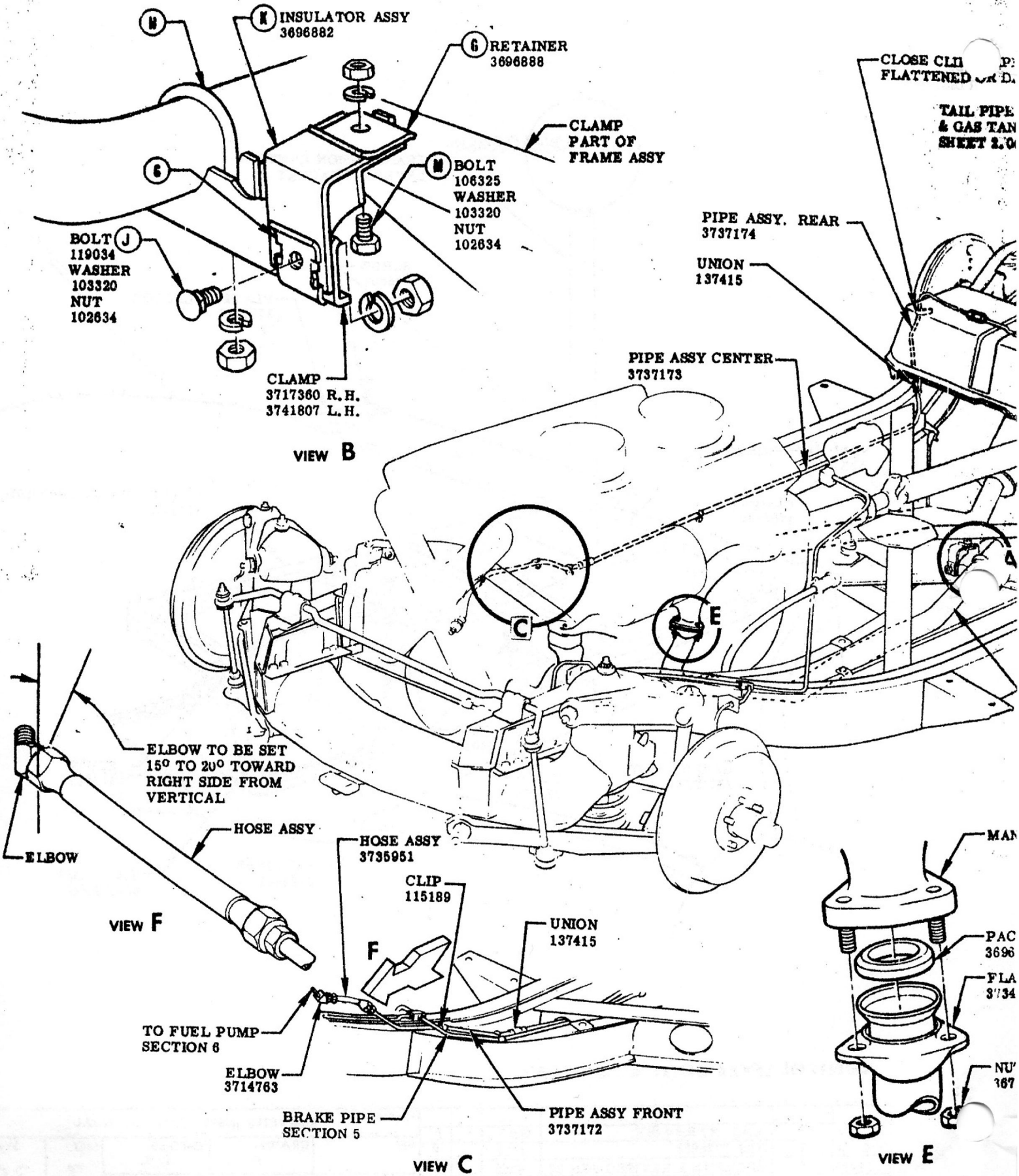


FUEL &  
8 EXHAUST

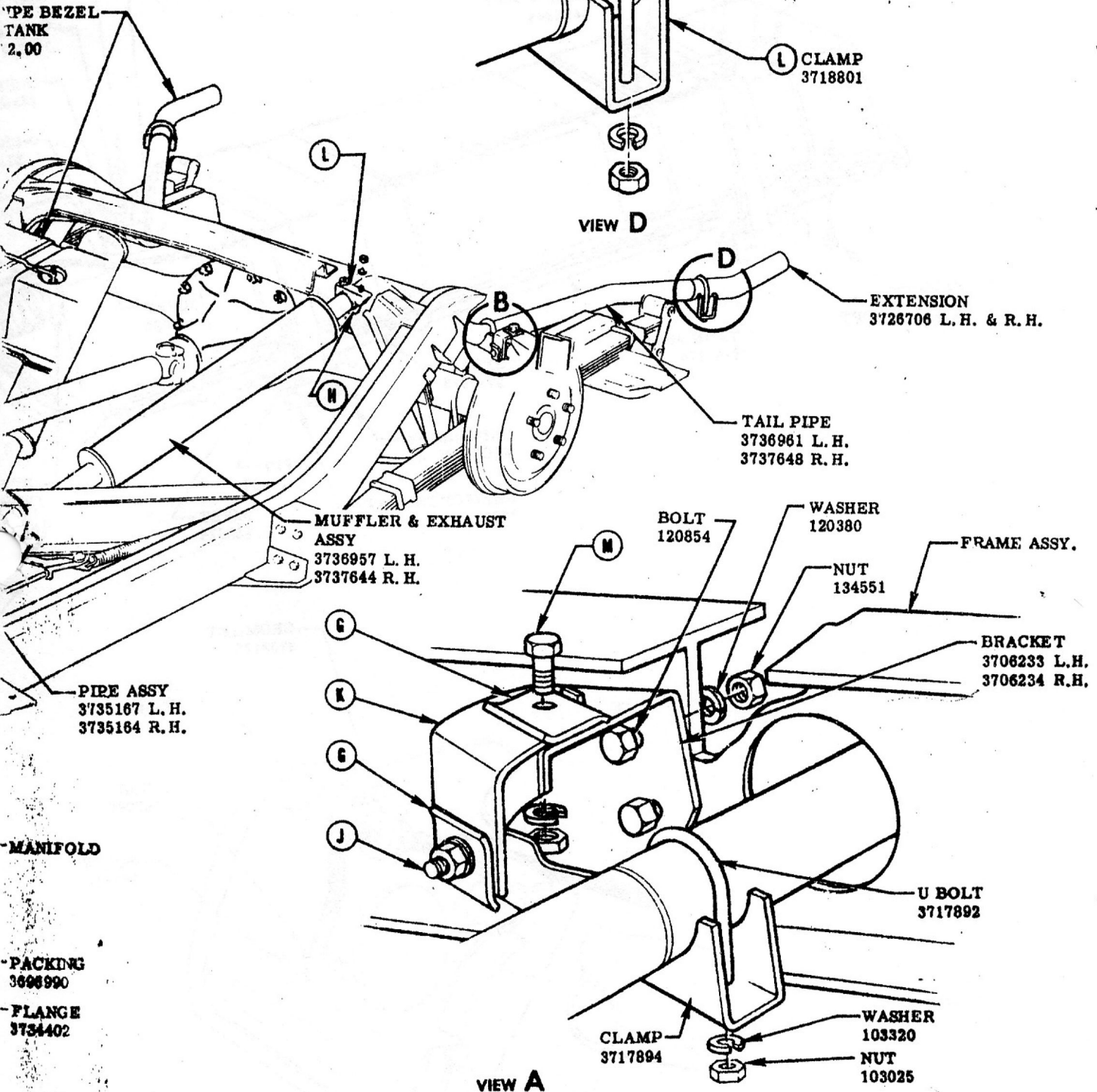




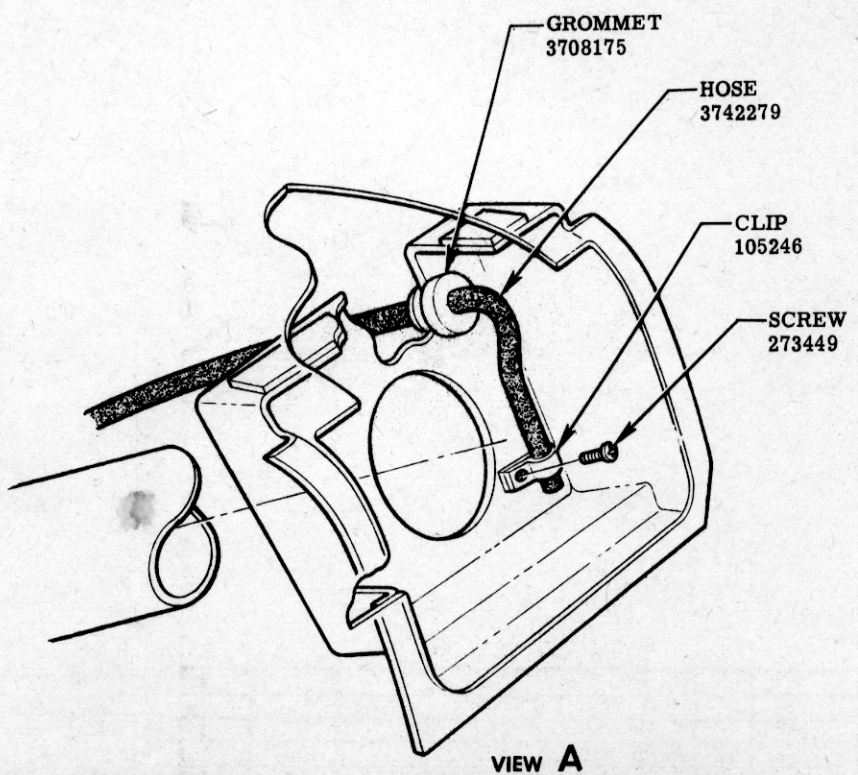
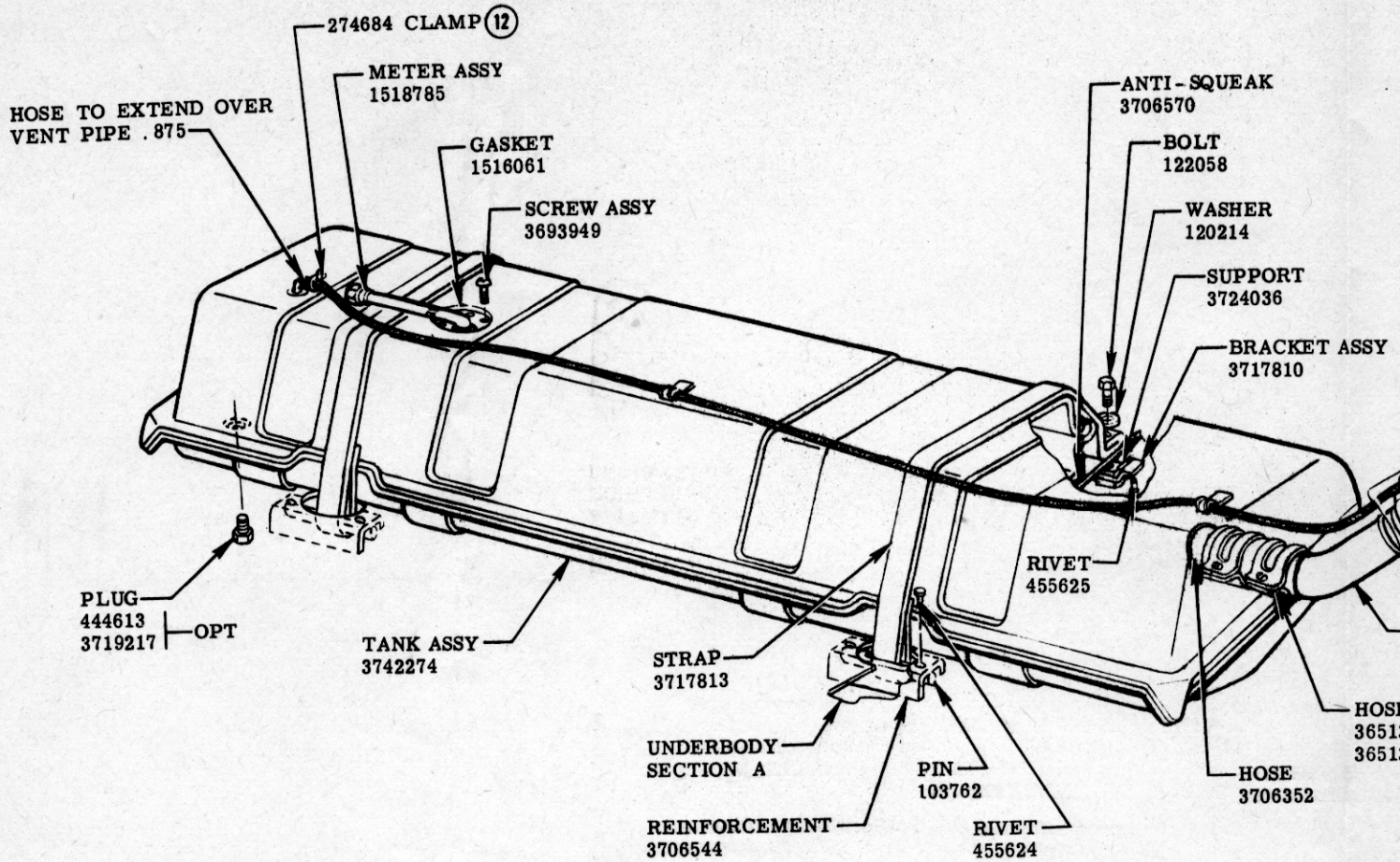
GENERAL MOTORS CORPORATION

PIPE MUST NOT BE  
DISTORTED IN ANY WAY.

PIPE BEZEL  
TANK  
2.00



							CORVETTE INSTRUCTION MANUAL					
							NAME	REF.	DRAWN	CHECKED	SECT.	SHEET
									C. C.	L. S.	8	1.00
11-26-56	15	REDRAWN & REVISED	3729	3686	V	F	DATE	PART No. 3726900				
DATE	SYM.	REVISION RECORD		AUTH.	DR.	CK.	9-15-55					

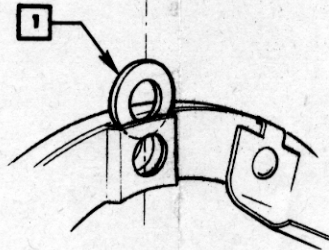
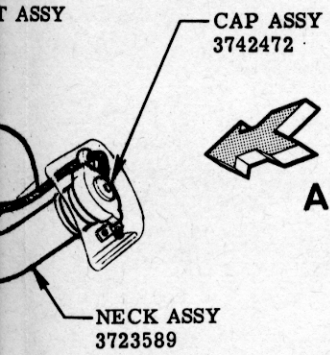


VIEW A

SEE LUBRICATION CHART SECTION 14  
**TAIL PIPE BEZEL & HOUSING  
& FUEL TANK & HOSE**



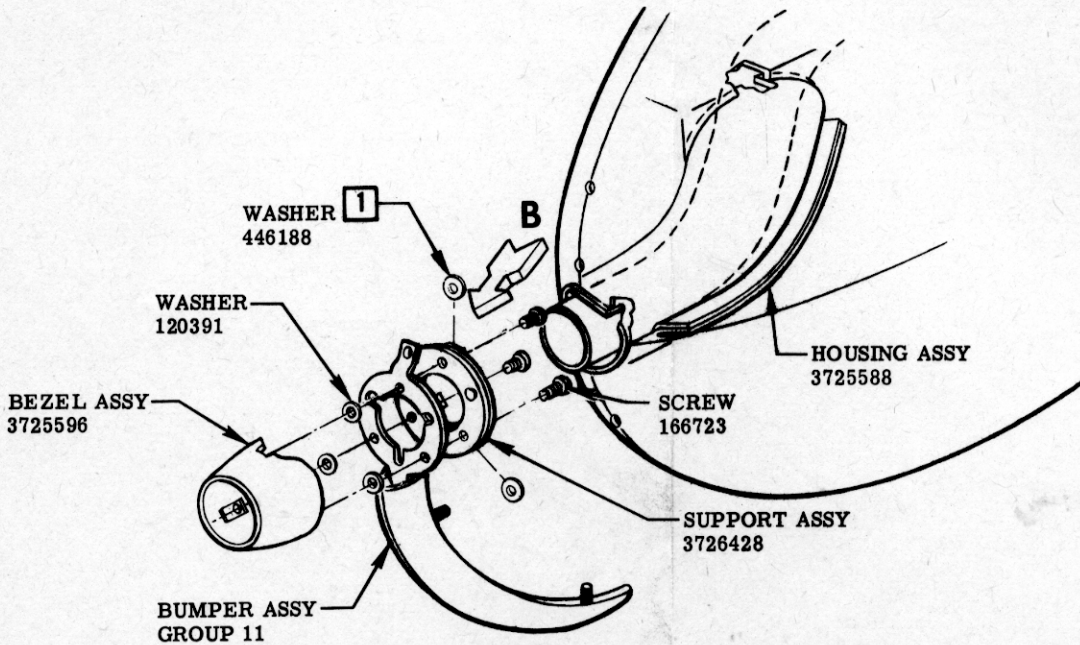
GENERAL MOTORS CORPORATION



SLIP WASHER BETWEEN  
SLOT PROVIDED IN  
SUPPORT ASSY.

VIEW B

HOSE CLAMP  
3651304  
3651306 | OPT



							CORVETTE INSTRUCTION MANUAL				
							REF.	DRAWN	CHECKED	SECT.	SHEET
3-25-57	12	PART ADDED	561		F		O. W.	L. S.	8	2.00	
11-15-56	11	REDRAWN & REVISED 4071	177	V	F	DATE	PART No.				
DATE	SYM.	REVISION RECORD	AUTH.	DR.	CK.	9-15-55	3726900				