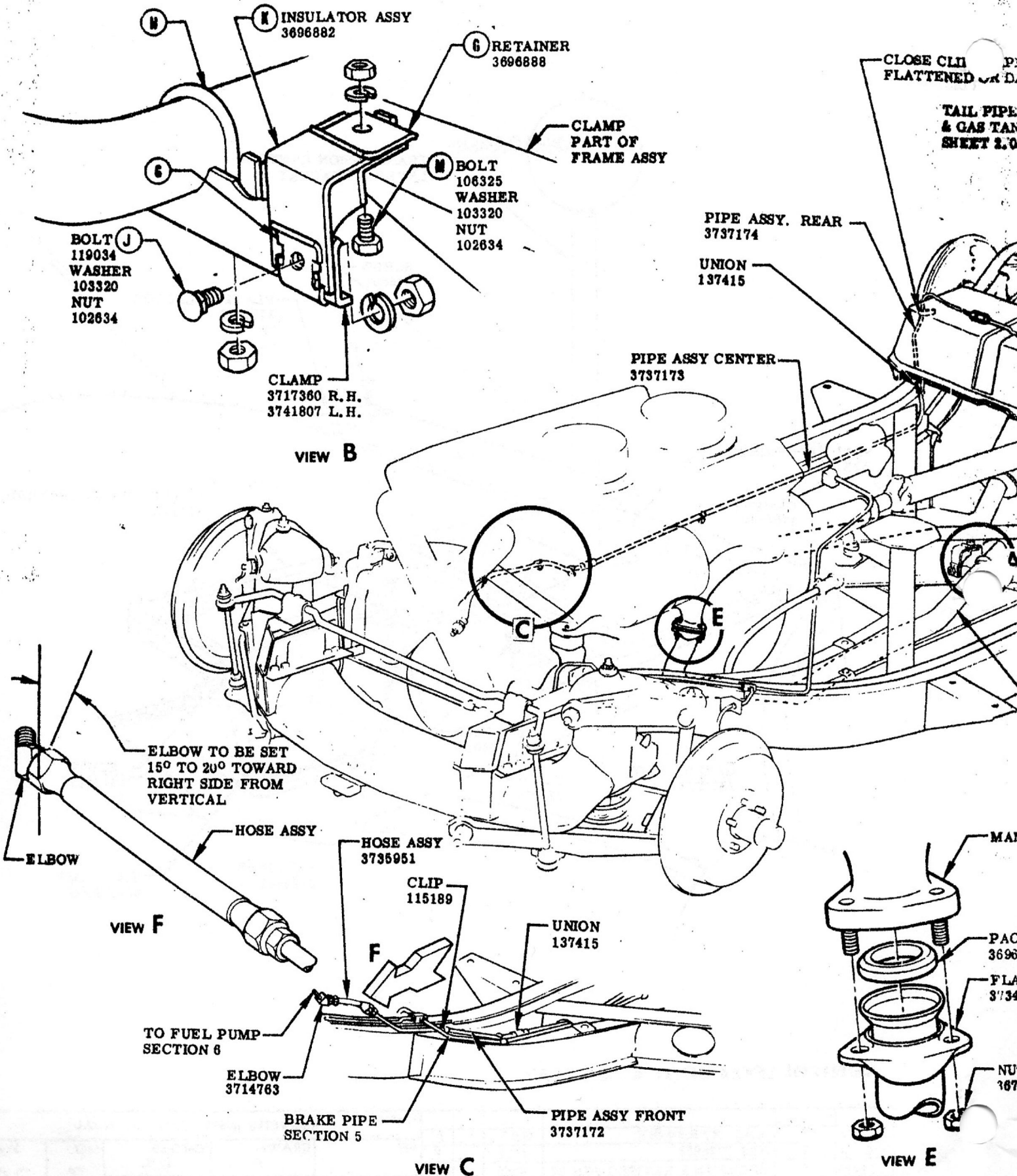


8 FUEL &
8 EXHAUST

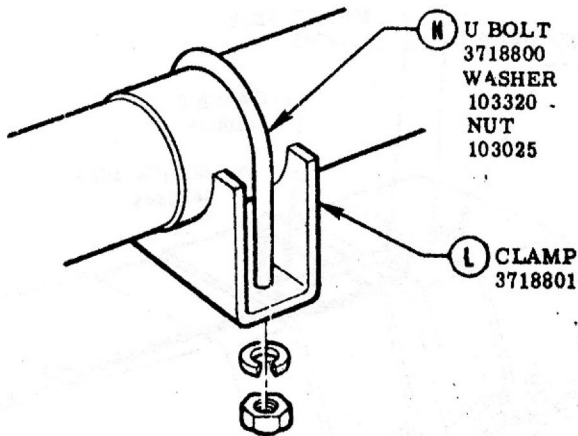




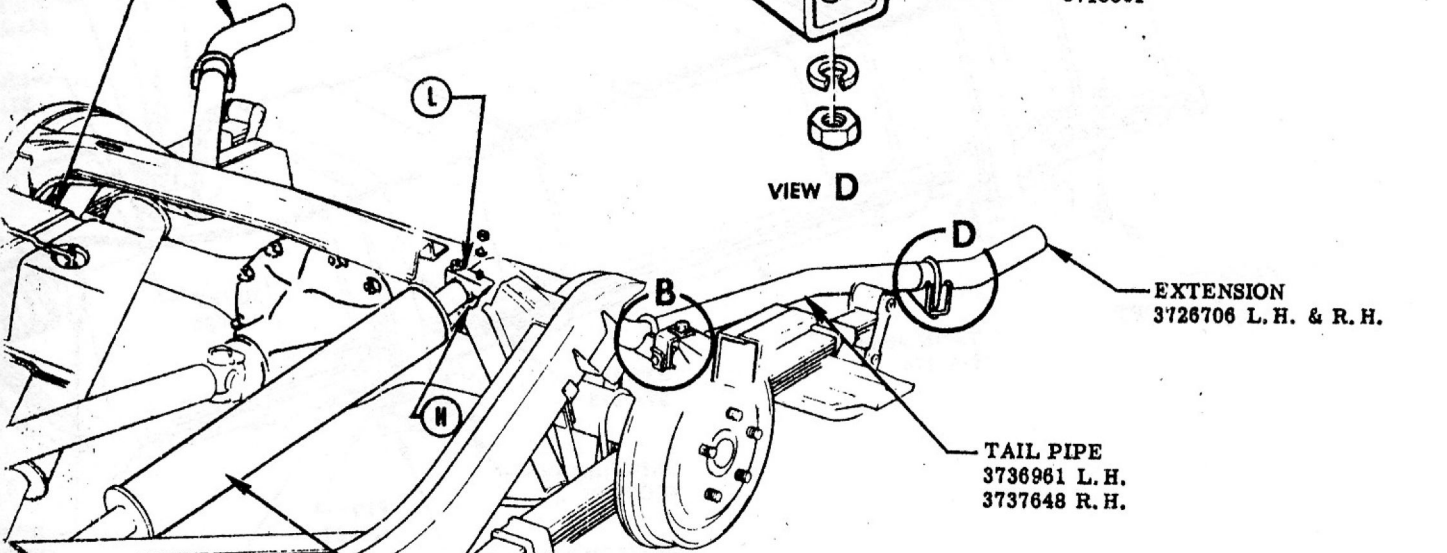
GENERAL MOTORS CORPORATION

PIPE MUST NOT BE
DISTORTED IN ANY WAY.

PIPE BEZEL
TANK
2.00



VIEW D



EXTENSION
3726706 L.H. & R.H.

TAIL PIPE
3736961 L.H.
3737648 R.H.

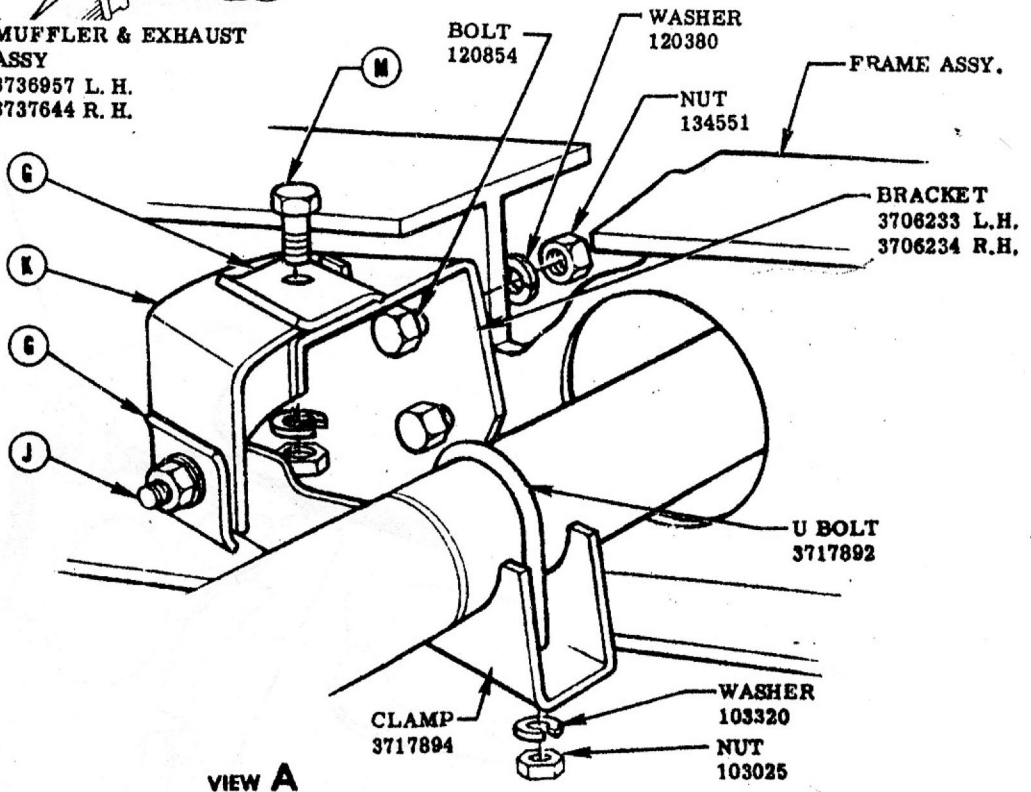
MUFFLER & EXHAUST
ASSY
3736957 L.H.
3737644 R.H.

PIPE ASSY
3735167 L.H.
3735164 R.H.

MANIFOLD

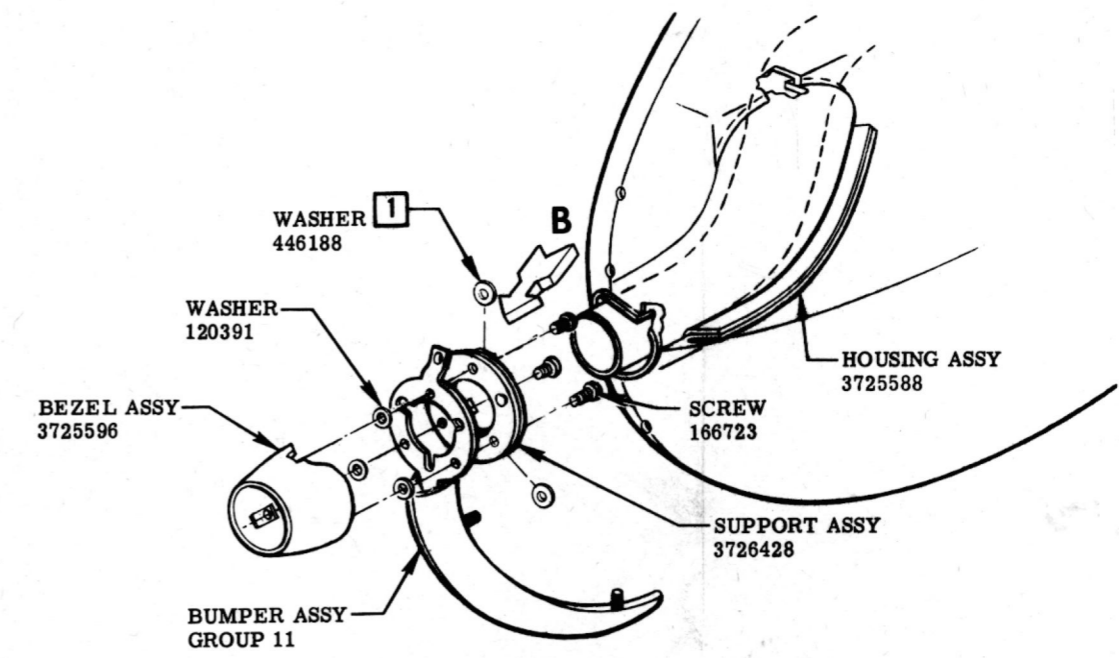
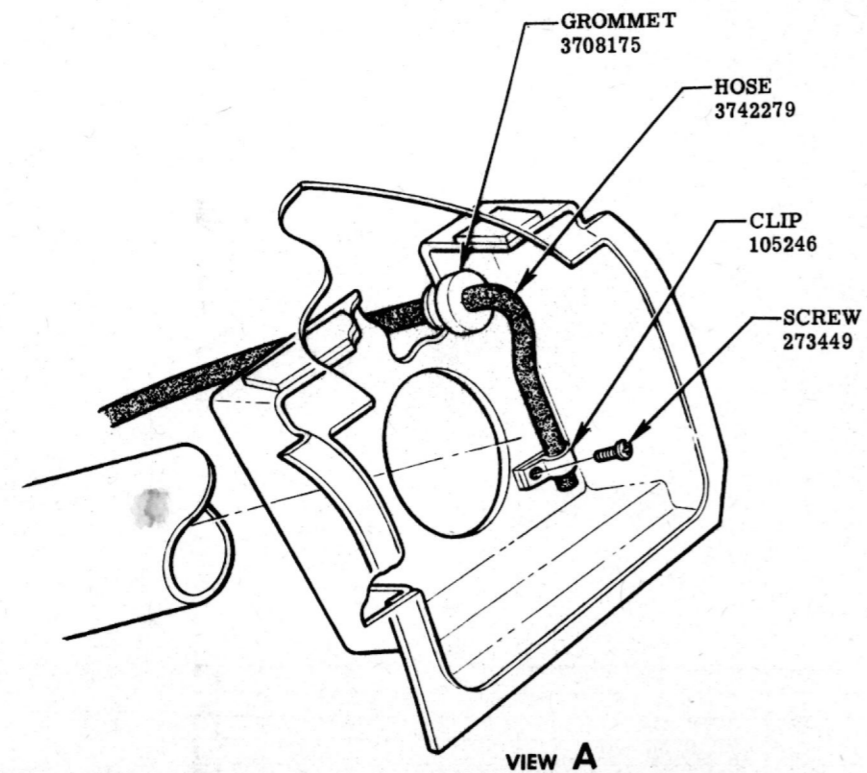
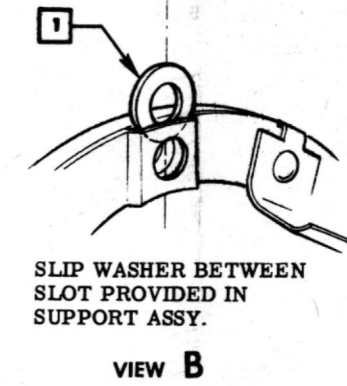
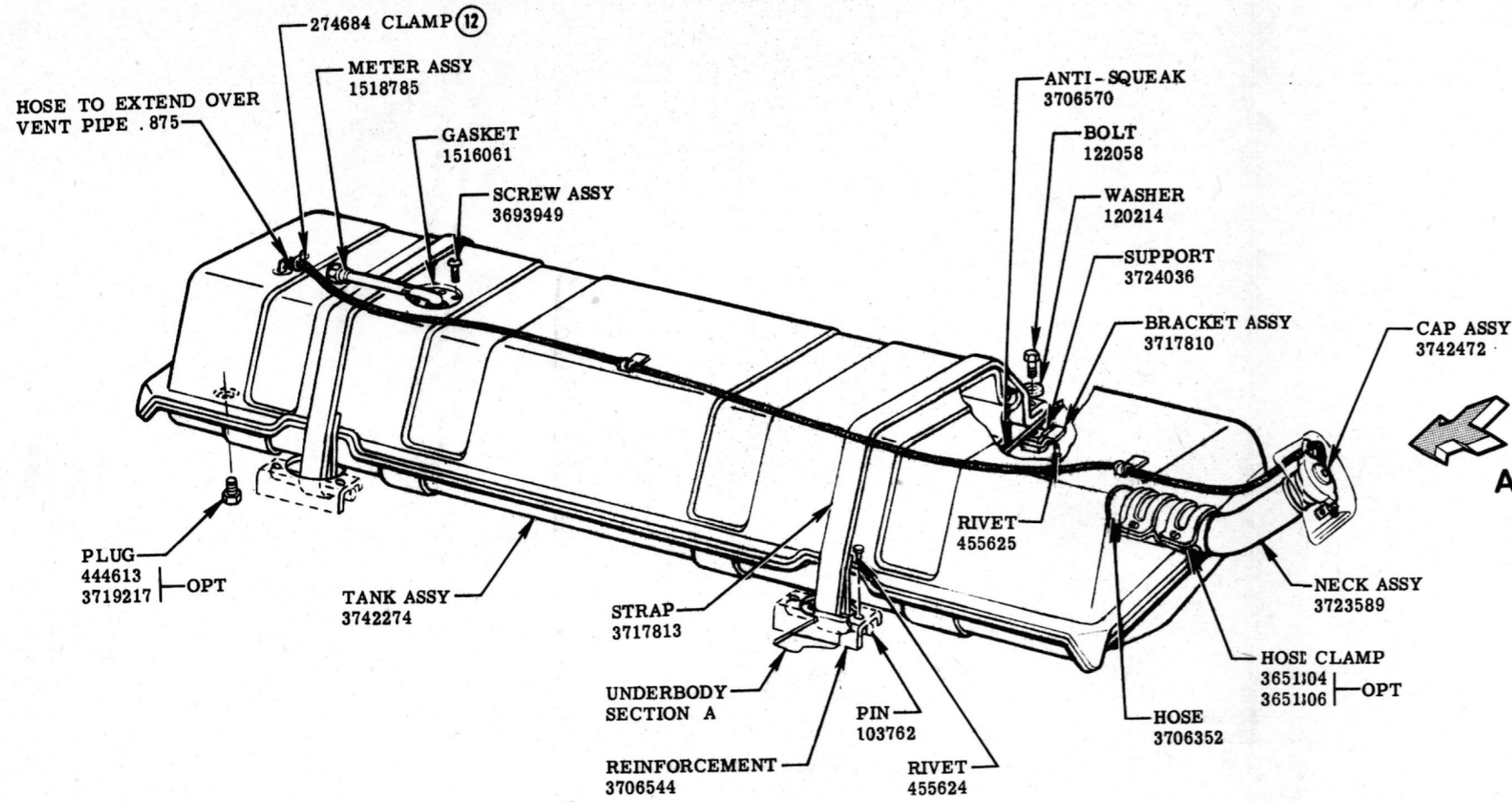
PACKING
3696990

FLANGE
3734402



VIEW A

							CORVETTE INSTRUCTION MANUAL					
							NAME	REF.	DRAWN	CHECKED	SECT.	SHEET
									C. C.	L. S.	8	1.00
11-26-56	15	REDRAWN & REVISED	3729	3686	V	F	DATE	PART No. 3726900				
DATE	SYM.	REVISION RECORD		AUTH.	DR.	CK.	9-15-55					



SEE LUBRICATION CHART SECTION 14
**TAIL PIPE BEZEL & HOUSING
 & FUEL TANK & HOSE**

						NAME		CORVETTE INSTRUCTION MANUAL		
DATE	SYM.	REVISION RECORD	AUTH.	DR.	CK.	REF.	DRAWN	CHECKED	SECT.	SHEET
3-25-57	12	PART ADDED	561		F		O. W.	L. S.	8	2.00
11-15-56	11	REDRAWN & REVISED	4071	177	V F	DATE	PART No.	3726900		
						9-15-55				