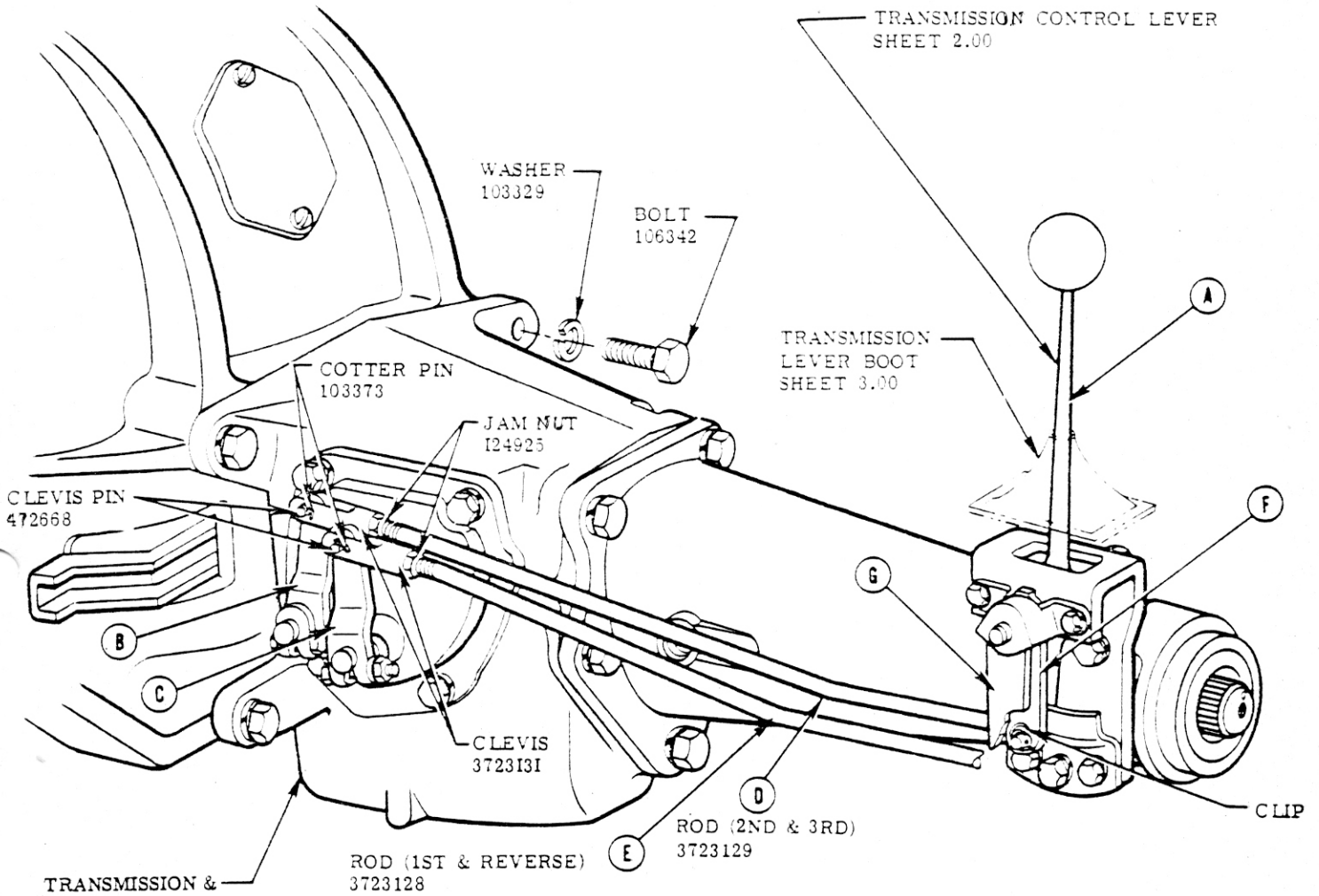


MEMPHIS  
COMMERCIAL  
PRINTING



TRANSMISSION & EXTENSION ASSY  
3746972

TRANSMISSION LEVER & LINKAGE ADJUSTMENT

1. SET LEVERS A, B & C IN NEUTRAL DETENT POSITION  
INSTALL ROD D ON LEVER F & INSERT CLIP.
2. ADJUST CLEVIS UNTIL CLEVIS PIN CAN BE FREELY  
ADMITTED THRU HOLES IN CLEVIS & LEVER B.
3. INSTALL CLEVIS PIN & COTTER PIN.
4. MOVE LEVER A TO 1ST. & REVERSE SIDE MAINTAINING  
LEVER A IN NEUTRAL DETENT.
5. INSTALL ROD E ON LEVER G & INSERT CLIP.
6. ADJUST CLEVIS UNTIL CLEVIS PIN CAN BE FREELY  
ADMITTED THRU HOLES IN CLEVIS & LEVER C.
7. INSTALL CLEVIS PIN & COTTER PIN

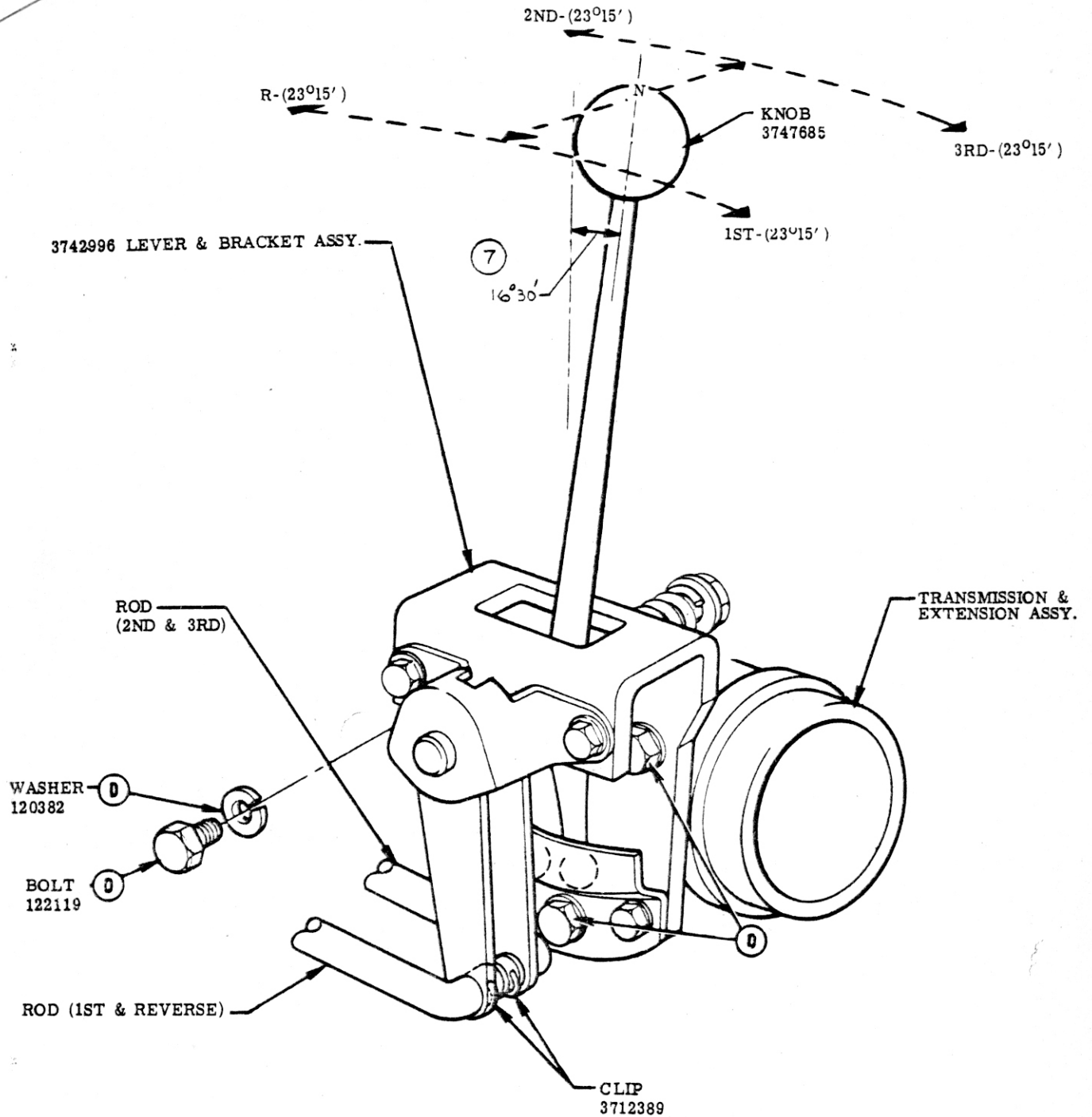
SEE LUBRICATION CHART SECTION 14

**TRANSMISSION**

							CORVETTE INSTRUCTION MANUAL				
							REF.	DRAWN J.J.	CHECKED L.S.	SECT.	SHEET
7-22-57	5	WAS 3737326	280		F	DATE	PART No.		7	1.00	
7-13-56	4	REDRAWN & REVISED FOR 57	8886	V	F	9-15-55	3726900				
DATE	SYM.	REVISION RECORD		AUTH.	DR.	CK.					

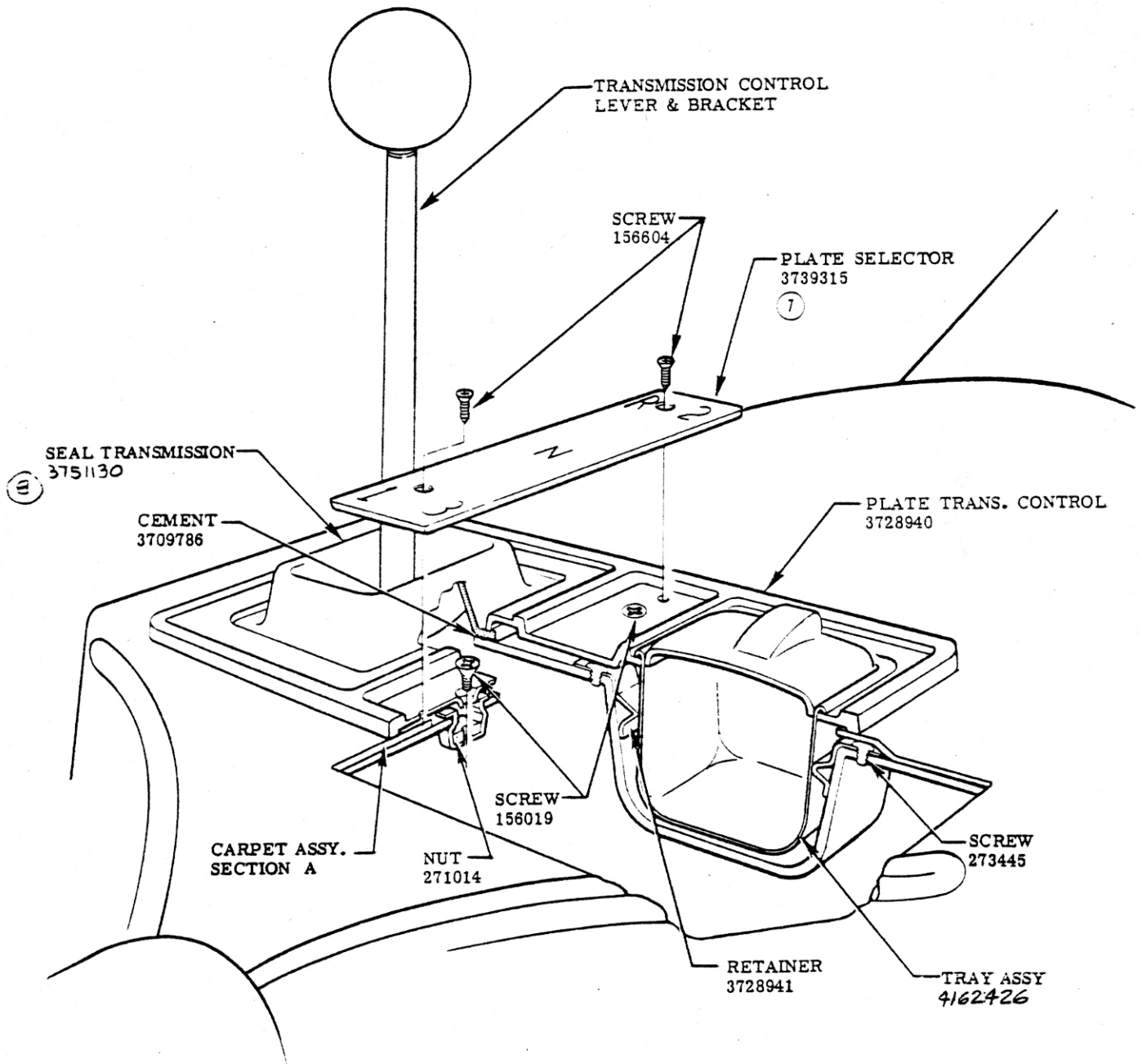


*Schwarz*  
*1957*



SEE LUBRICATION CHART SECTION 14  
**TRANSMISSION CONTROL LEVER**

					NAME CORVETTE INSTRUCTION MANUAL				
					REF.	DRAWN J.J.	CHECKED L.S.	SECT. 7	SHEET 2.00
					DATE 9-15-55	PART No. 3726900			
8-16-57	6	WAS 8° 0' REDRAWN	3350	WF					
DATE	SYM.	REVISION RECORD	AUTH.	DR.	CK.				



**CONTROL LEVER BOOT & ASH TRAY**

REVISION RECORD				CORVETTE INSTRUCTION MANUAL					
7-22-57	8	WAS 3733482	693	F	NAME	CORVETTE INSTRUCTION MANUAL			
10-22-56	7	WAS 3728938	3742	F	REF.	DRAWN R. L.	CHECKED L. S.	SECT.	SHEET
7-31-56	6	REDRAWN & REVISED FOR 57	8250	F	DATE	PART No. 3726900		7	3.00
			2699	V	9-15-55				
DATE	SYM.	REVISION RECORD	AUTH.	DR.	CK.				