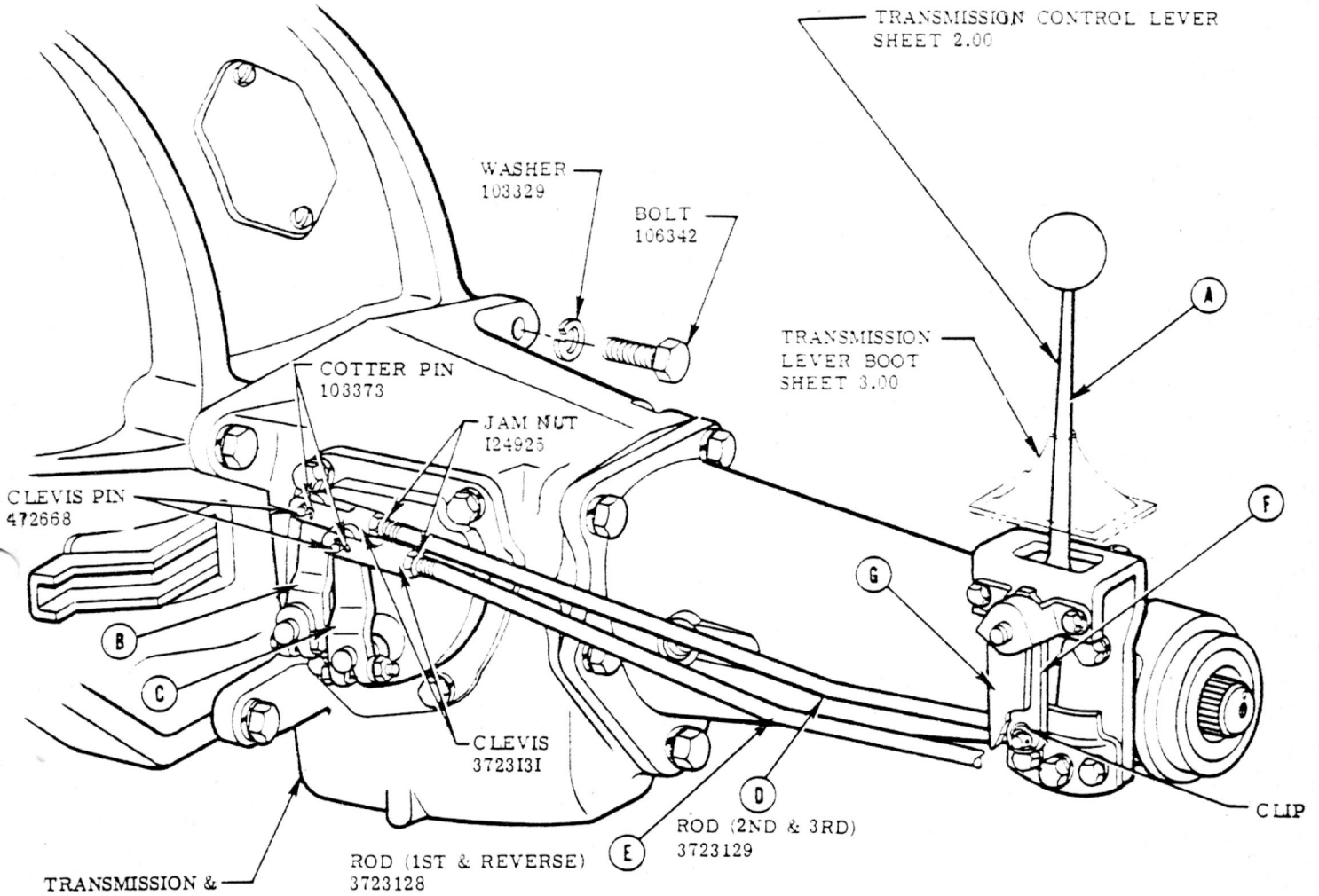


WALKER BROTHERS
NEW YORK



TRANSMISSION LEVER & LINKAGE ADJUSTMENT

1. SET LEVERS A, B & C IN NEUTRAL DETENT POSITION
INSTALL ROD D ON LEVER F & INSERT CLIP.
2. ADJUST CLEVIS UNTIL CLEVIS PIN CAN BE FREELY
ADMITTED THRU HOLES IN CLEVIS & LEVER B.
3. INSTALL CLEVIS PIN & COTTER PIN.
4. MOVE LEVER A TO 1ST. & REVERSE SIDE MAINTAINING
LEVER A IN NEUTRAL DETENT.
5. INSTALL ROD E ON LEVER G & INSERT CLIP.
6. ADJUST CLEVIS UNTIL CLEVIS PIN CAN BE FREELY
ADMITTED THRU HOLES IN CLEVIS & LEVER C.
7. INSTALL CLEVIS PIN & COTTER PIN

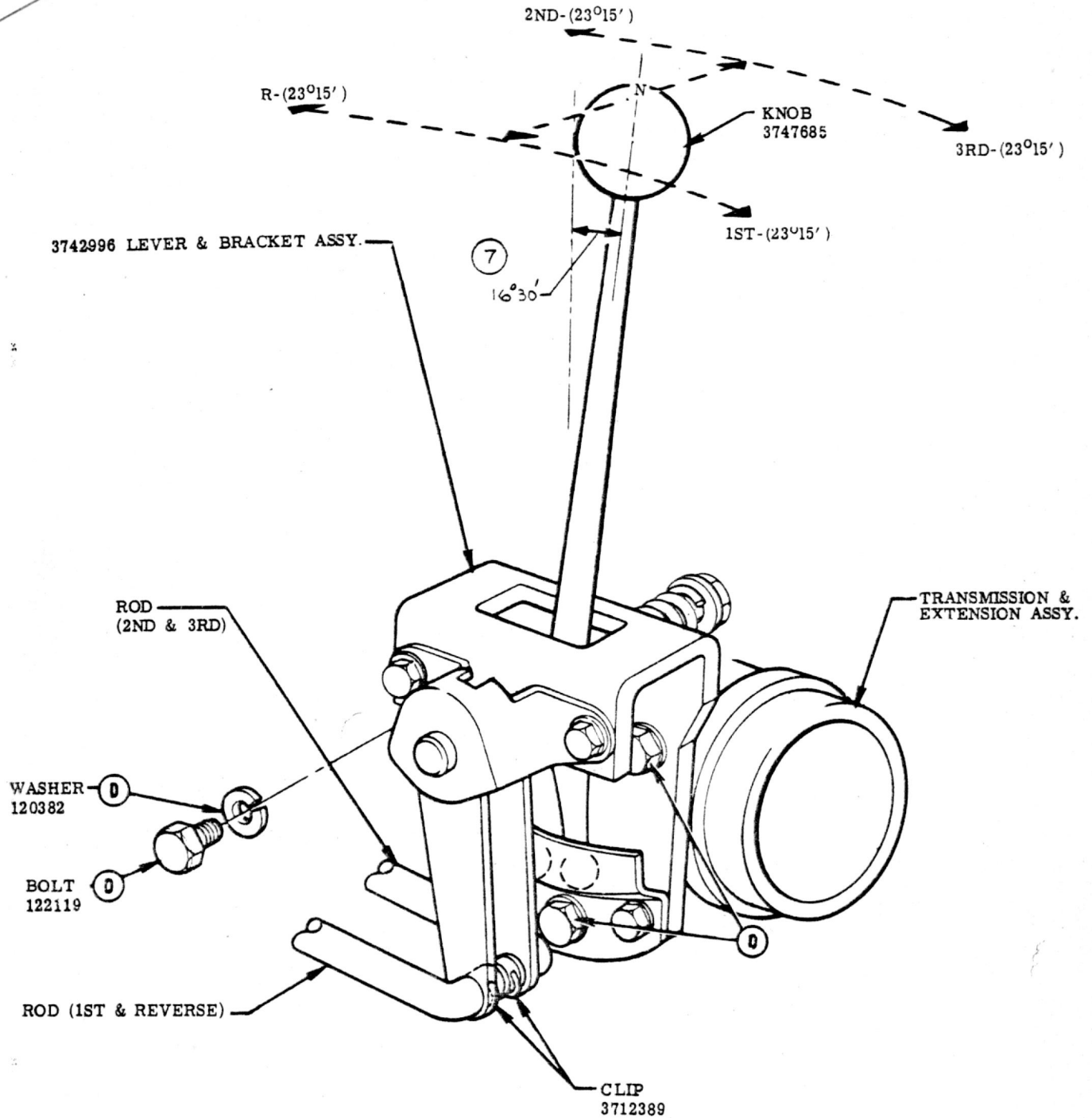
SEE LUBRICATION CHART SECTION 14

TRANSMISSION

						CORVETTE INSTRUCTION MANUAL				
						REF.	DRAWN J.J.	CHECKED L.S.	SECT.	SHEET
7-22-57	5	WAS 3737326	280		F	DATE 9-15-55	PART No. 3726900		7	1.00
7-13-56	4	REDRAWN & REVISED FOR 57	8886	V	F					
DATE	SYM.	REVISION RECORD	AUTH.	DR.	CK.					

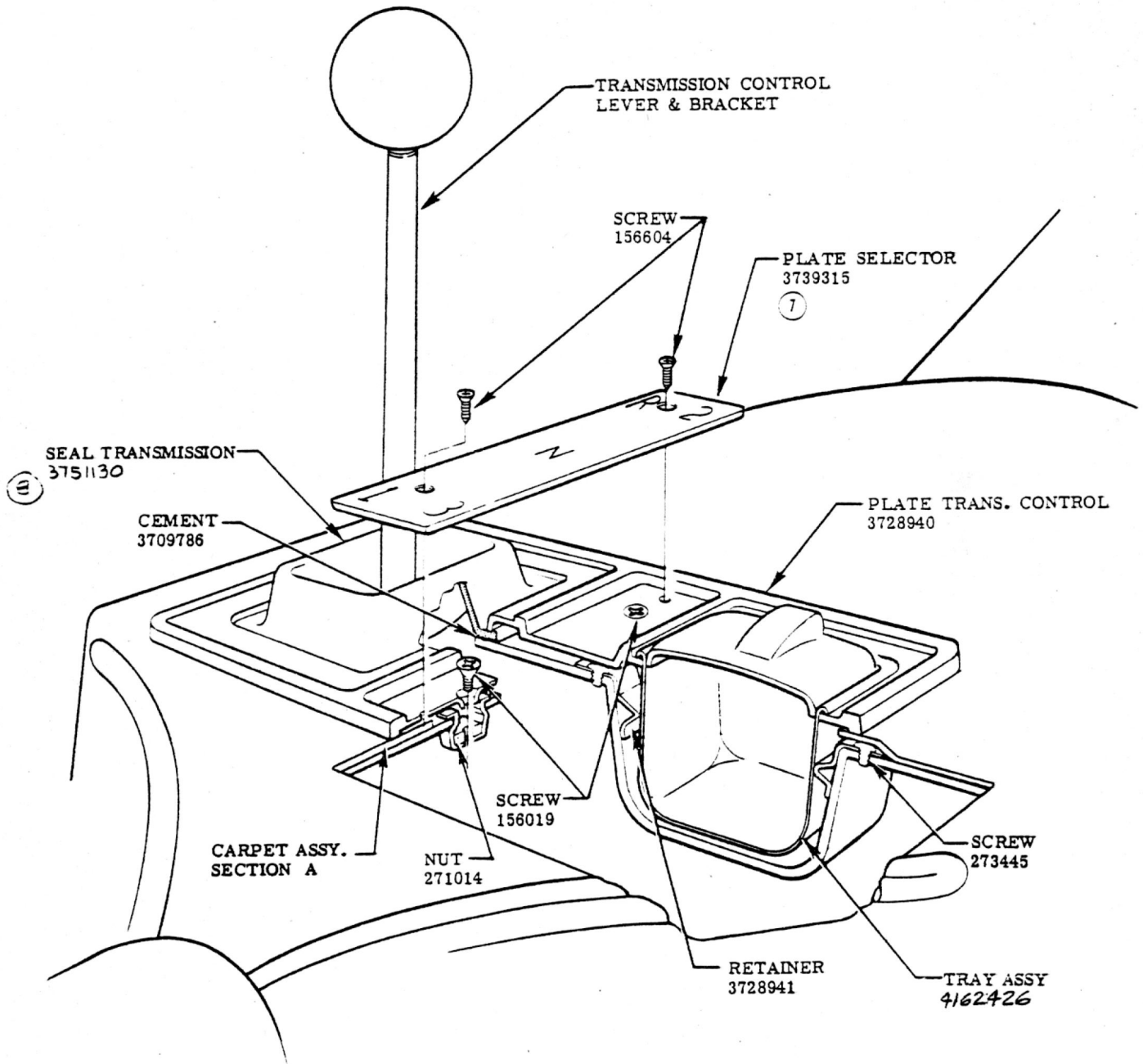


Schwartz
1957



SEE LUBRICATION CHART SECTION 14
TRANSMISSION CONTROL LEVER

					NAME					CORVETTE INSTRUCTION MANUAL				
					REF.	DRAWN		CHECKED		SECT.	SHEET			
						J. J.		L. S.		7	2.00			
					DATE	PART No.								
					8-16-57	3726900								
DATE	SYM.	REVISION RECORD			AUTH.	DR.	CK.							
	7	WAS 8° 0'					WF							
	6	REDRAWN			3350									
							9-15-55							



CONTROL LEVER BOOT & ASH TRAY

				NAME CORVETTE INSTRUCTION MANUAL					
7-22-57	8	WAS 3733482	693	F	REF.	DRAWN R. L.	CHECKED L. S.	SECT.	SHEET
10-22-56	7	WAS 3728938	3742	F				7	3.00
7-31-56	6	REDRAWN & REVISED FOR 57	8250	F					
			2699	V	DATE 9-15-55	PART No. 3726900			
DATE	SYM.	REVISION RECORD	AUTH.	DR.	CK.				