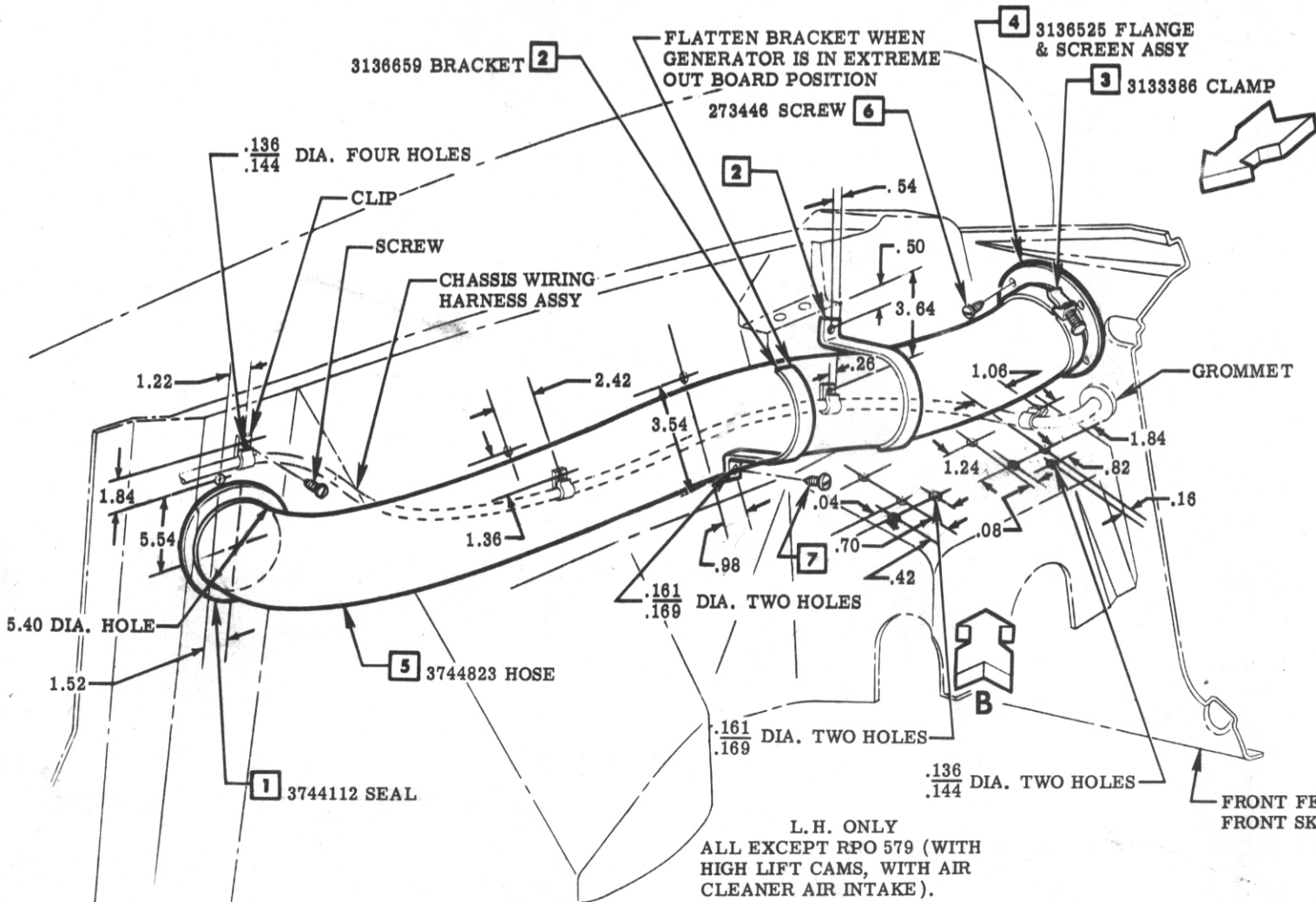


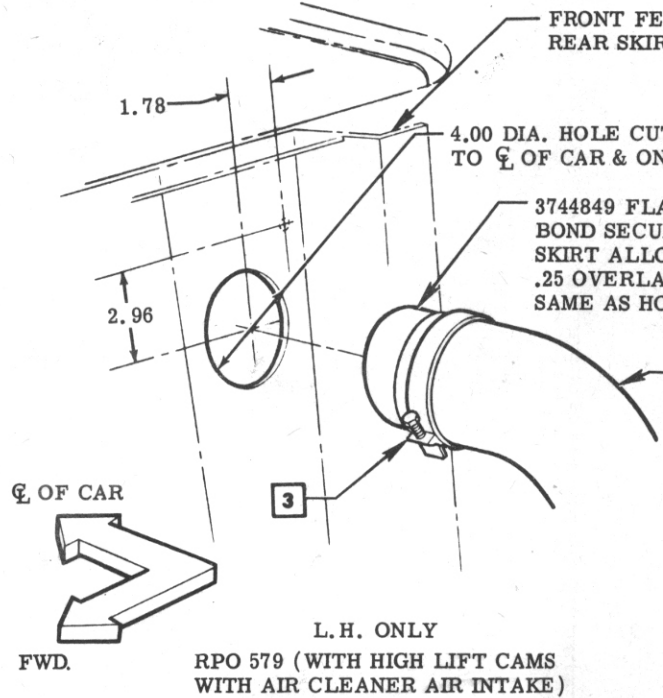
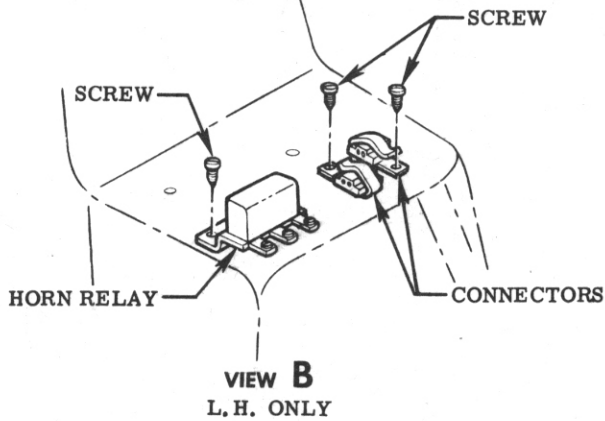
HEAVY DUTY BRAKE & SUSPENSION

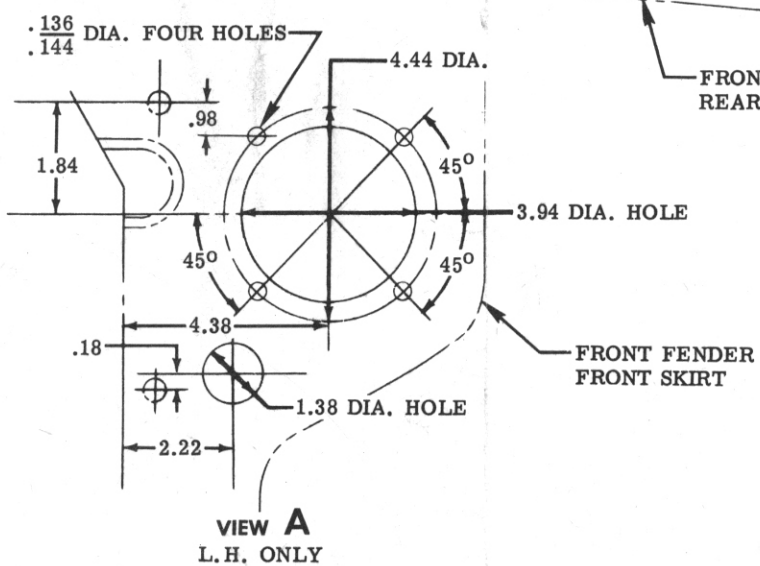
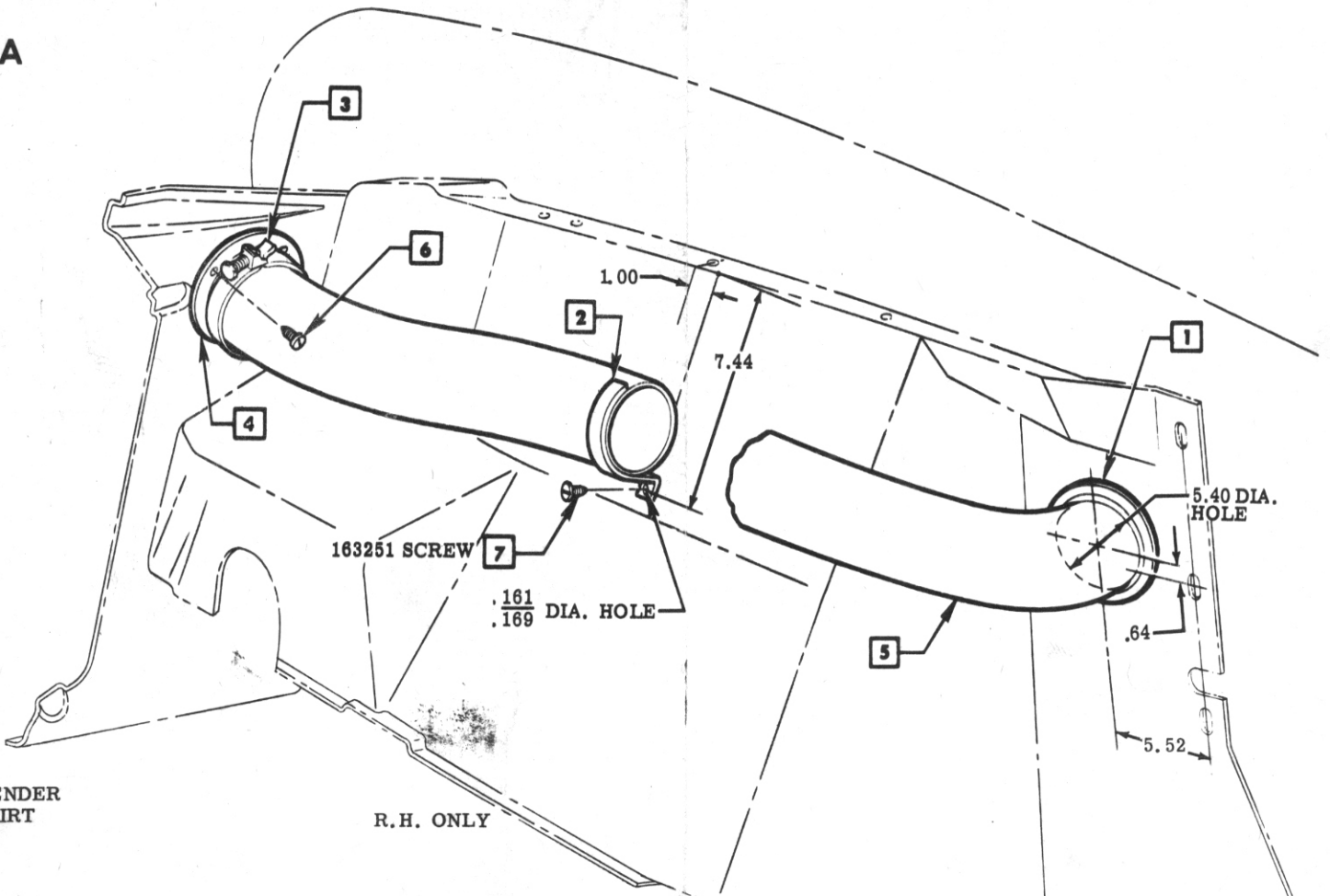
					NAME CORVETTE INSTRUCTION MANUAL					
DATE	SYM.	REVISION RECORD	AUTH.	DR.	CK.	REF.	DRAWN	CHECKED	R. P. O.	SHEET
4-30-57	1	SHEET ADDED	9042	V	F			V	F	
3-25-57		RELEASED	6772							
						DATE	PART No.			
						1-24-57	3726900			684 1.00



L. H. ONLY
ALL EXCEPT RPO 579 (WITH HIGH LIFT CAMS, WITH AIR CLEANER AIR INTAKE).

FRONT FENDER
REAR SKIRT L. H.





FRONT FENDER
FRONT SKIRT

FRONT FENDER
REAR SKIRT

HOLE CUT 90°
PARALLEL & ON HORIZONTAL

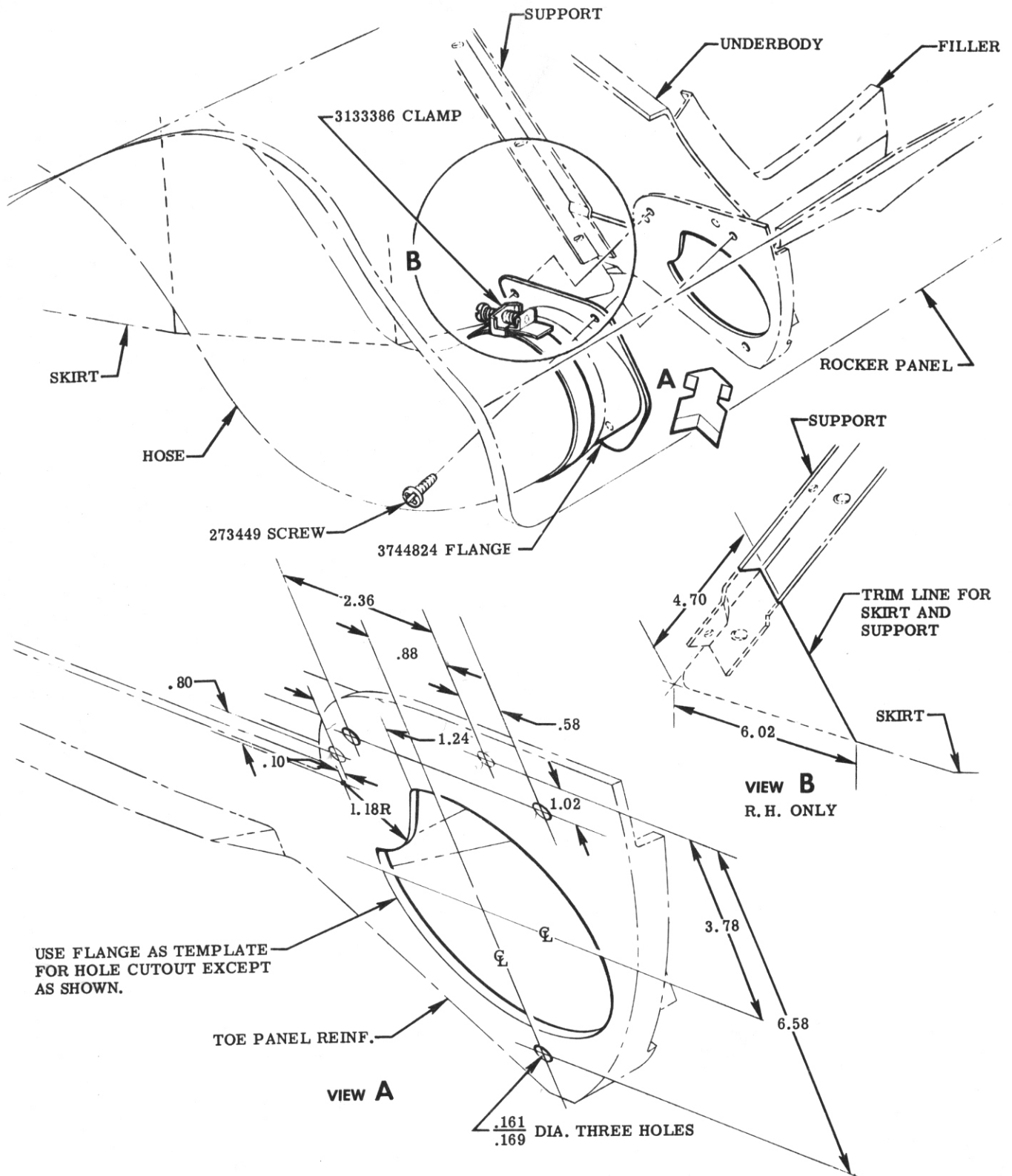
849 FLANGE
AND SECURELY TO FENDER
WITHOUT ALLOWING APPROX.
OVERLAP AND POSITIONED
AS HOLE CUTTING

3136507 HOSE (1)

FRONT FENDER
REAR SKIRT R. H.

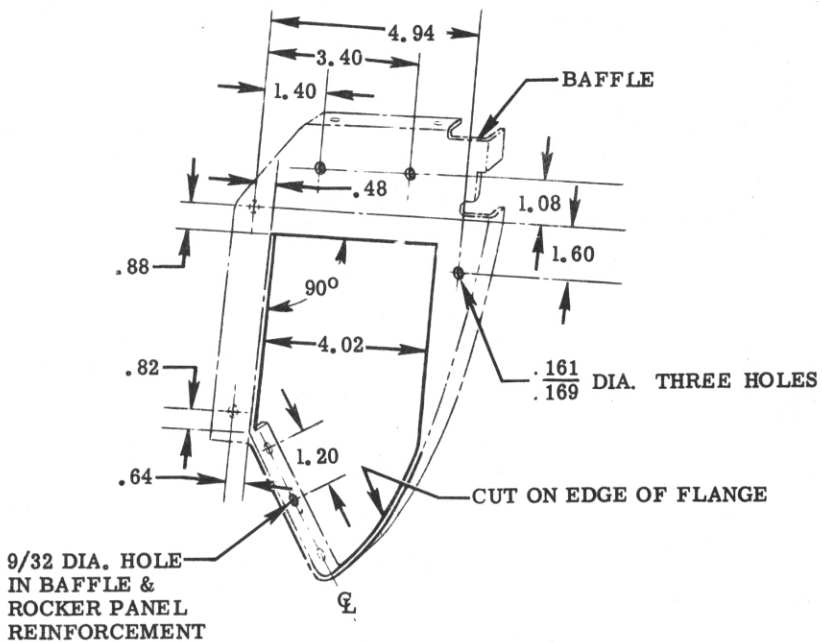
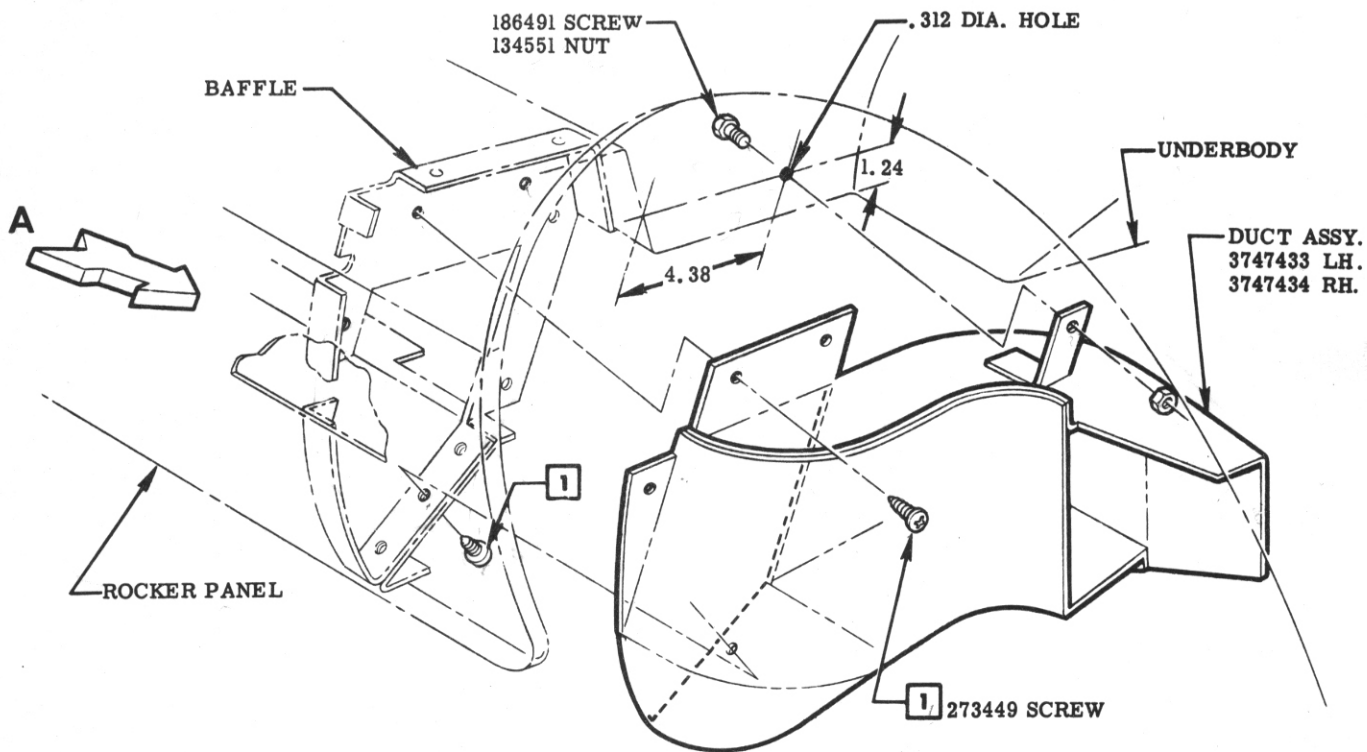
FRONT FENDER
FRONT SKIRT

					NAME CORVETTE INSTRUCTION MANUAL				
4-9-57		1	WAS 3744847	9110	F	DRAWN	CHECKED	R. P. O.	SHEET
3-25-57			RELEASED	8670 6814	6772	V	F		
DATE	SYM.	REVISION RECORD			AUTH.	DR.	CK.	684 2.00	
						1-24-57	3726900		



HEAVY DUTY BRAKE & SUSPENSION - AIR DUCT FLANGE

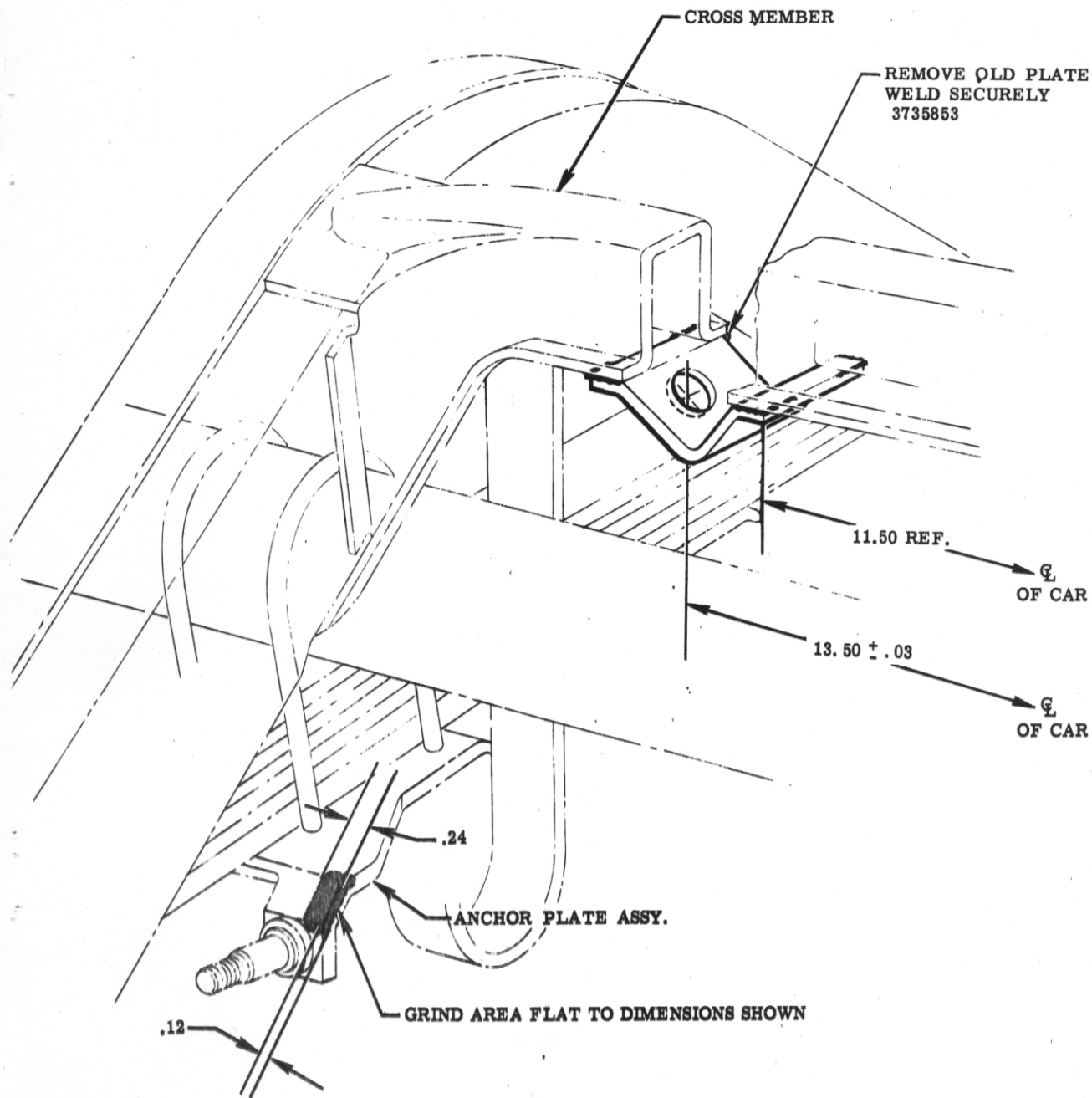
						NAME	CORVETTE INSTRUCTION MANUAL			
						REF.	DRAWN	CHECKED	R. P. O.	SHEET
							V	F		
3-25-57		RELEASED	6772			DATE	PART No.		684	3.00
DATE	SYM.	REVISION RECORD	AUTH.	DR.	CK.	1-24-57	3726900			



VIEW A

HEAVY DUTY BRAKE & SUSPENSION - AIR DUCT

					NAME				CORVETTE INSTRUCTION MANUAL						
					REF.		DRAWN		CHECKED		R. P. O.		SHEET		
							V		F						
3-25-57		RELEASED		8517		6772		DATE		PART No.		684		4.00	
DATE		SYM.		REVISION RECORD		AUTH.		DR.		CK.		1-24-57		3726900	



**HEAVY DUTY BRAKE & SUSPENSION -
REAR SHOCK ABSORBER PLATES**

				NAME				CORVETTE INSTRUCTION MANUAL							
				REF.		DRAWN		CHECKED		R. P. O.		SHEET			
				L-45851		V		F							
4-30-57				RELEASED				9042				DATE		PART No.	
DATE				SYM.				REVISION RECORD				AUTH. DR. CK.			
								4-10-57				3726900			
										684		5.00			