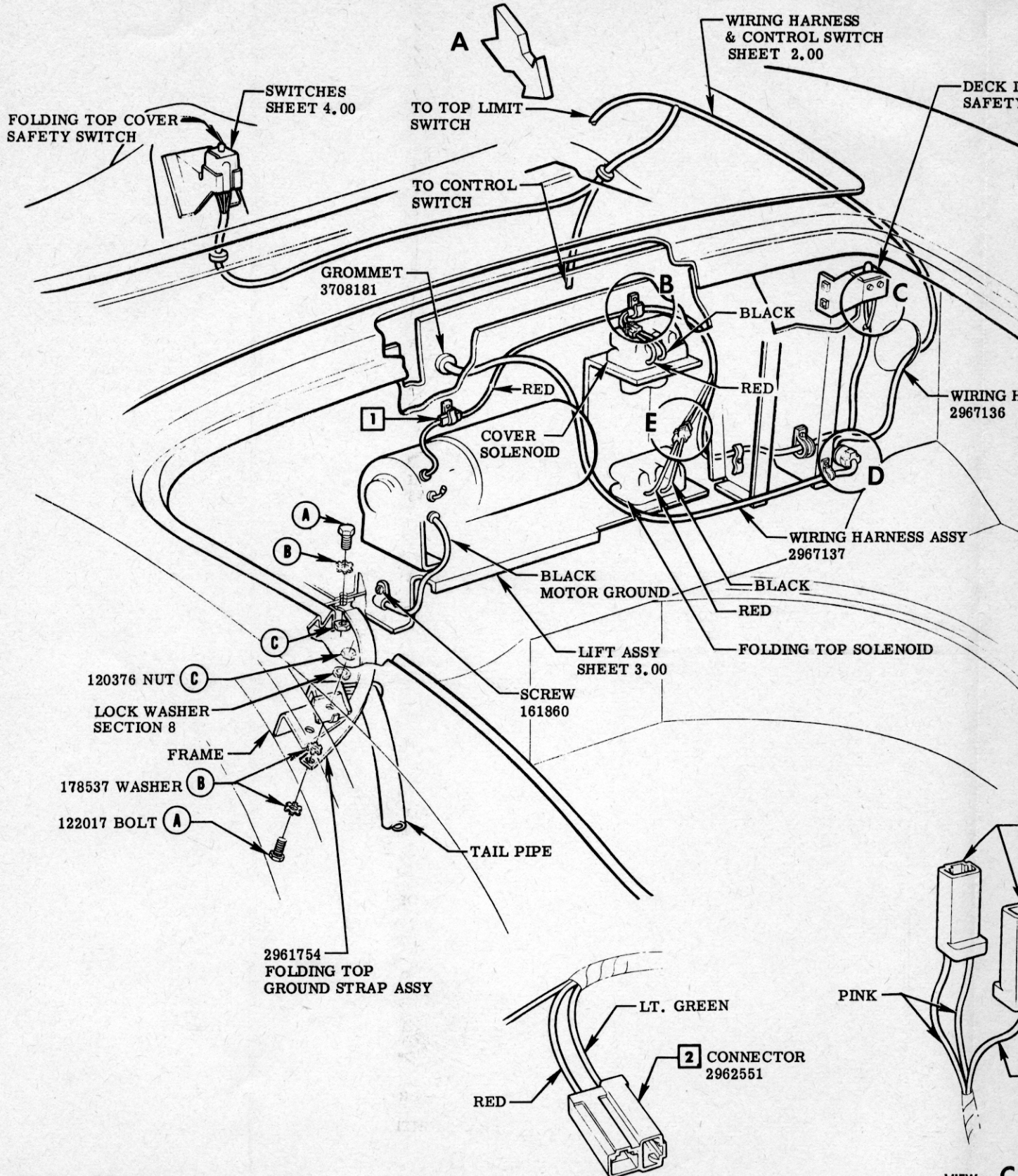


way

473 AUTOMATIC TOP

THE UNIVERSITY OF CHICAGO
LIBRARY

1111



NOTE: **1** **2** & **3** CONNECTORS ARE PART OF 2967136 WIRING HARNESS ASSEMBLY. SHIPPED LOOSE.

FOLDING TOP WIRING DIAGRAM SHEET 5.00

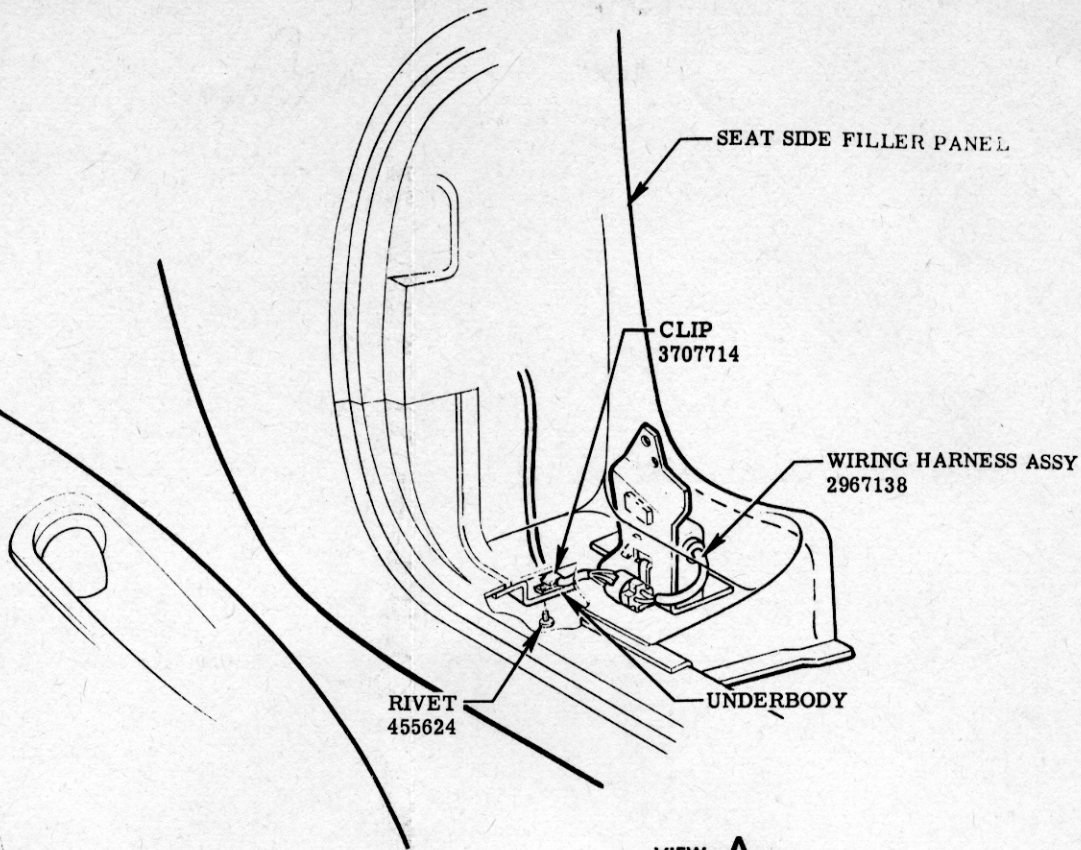
HYDRAULIC FOLDING TOP



GENERAL MOTORS CORPORATION

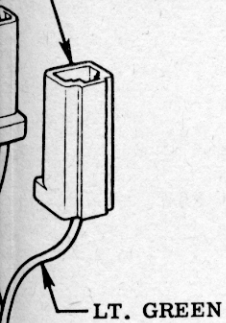
TRUNK LID SAFETY SWITCH

TRUNK WIRING HARNESS ASSY 2967136



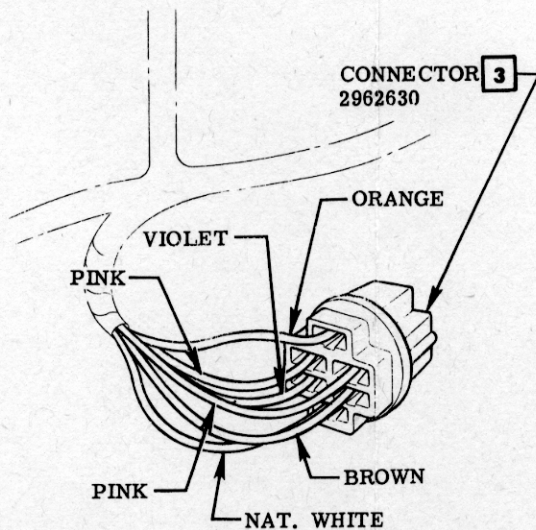
VIEW A

CONNECTOR 2962448

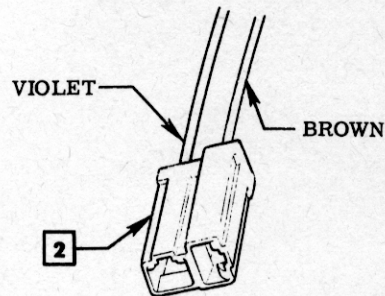


VIEW C

CONNECTOR 2962630

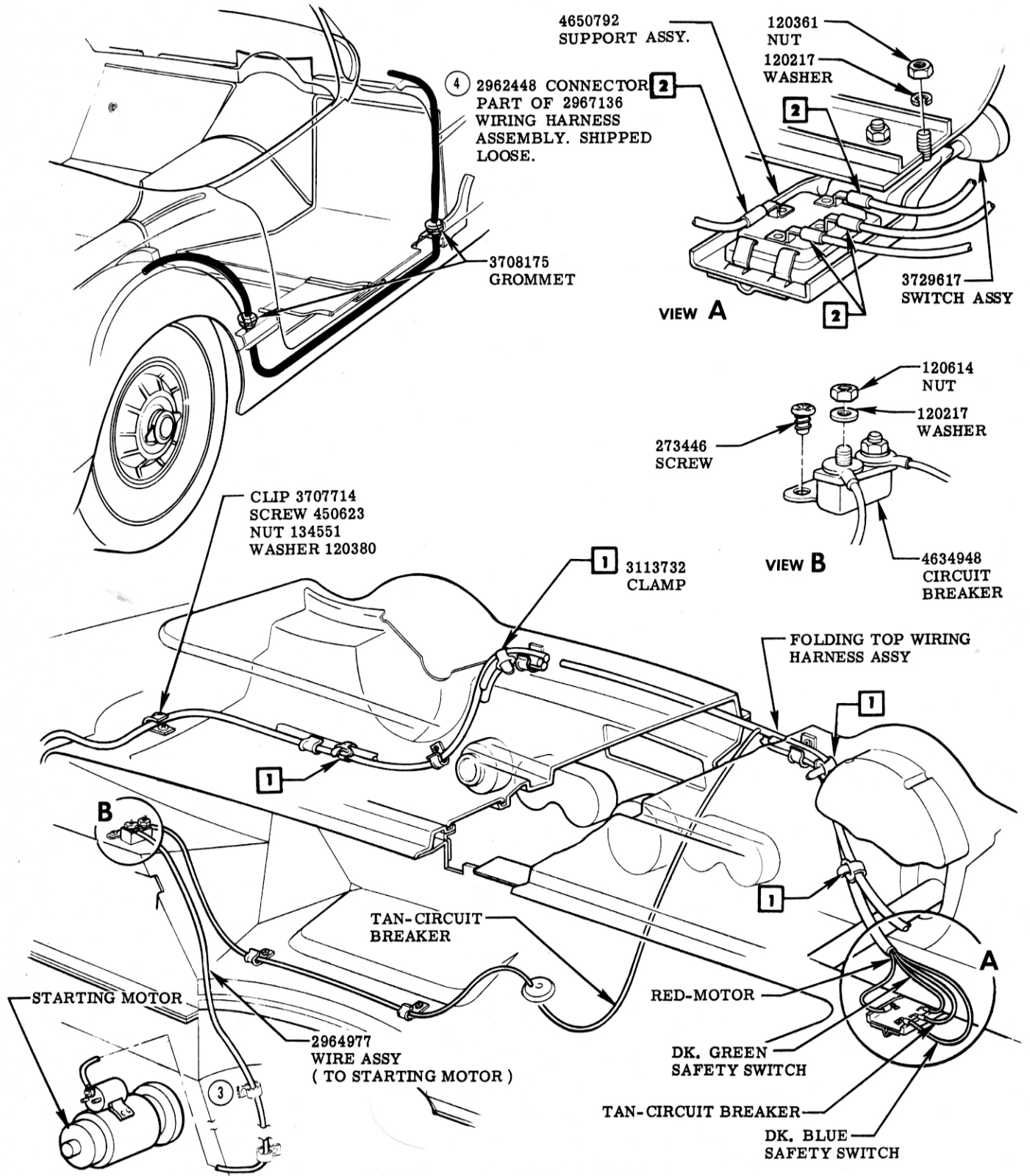


VIEW D



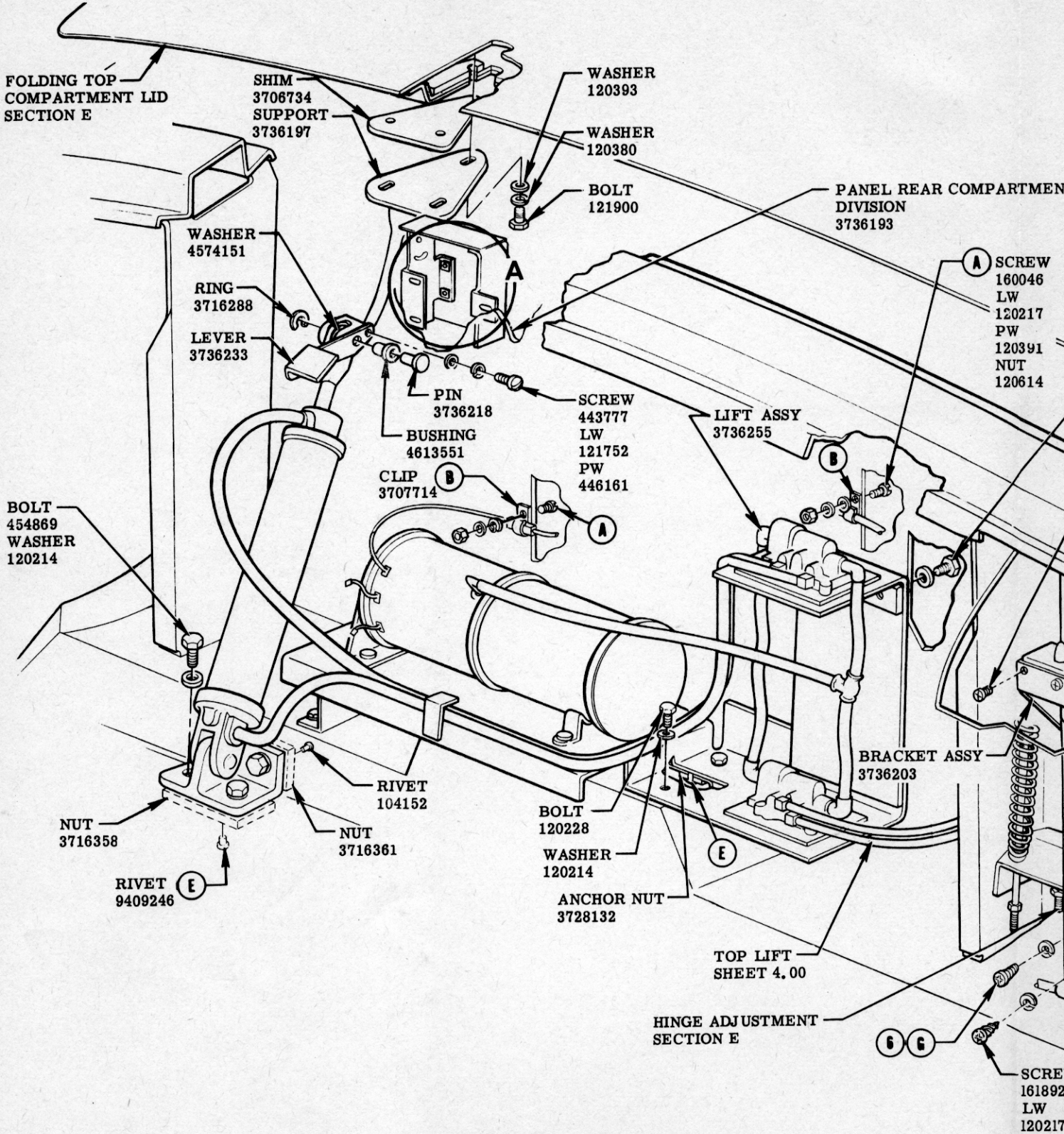
VIEW E

REVISION RECORD					CORVETTE INSTRUCTION MANUAL						
DATE	SYM.	REVISION RECORD	AUTH.	DR.	CK.	NAME	REF.	DRAWN	CHECKED	R. P. O.	SHEET
4-22-57	3	PART NO'S. & NOTE ADDED	7938	V	F		9705				
7-31-56	2	REDRAWN & REV. FOR 57 1570	1541	V	F		7997	V		F	
						DATE	6-4-56	PART No.	3726900	473	1.00



WIRING HARNESS & CONTROL SWITCH

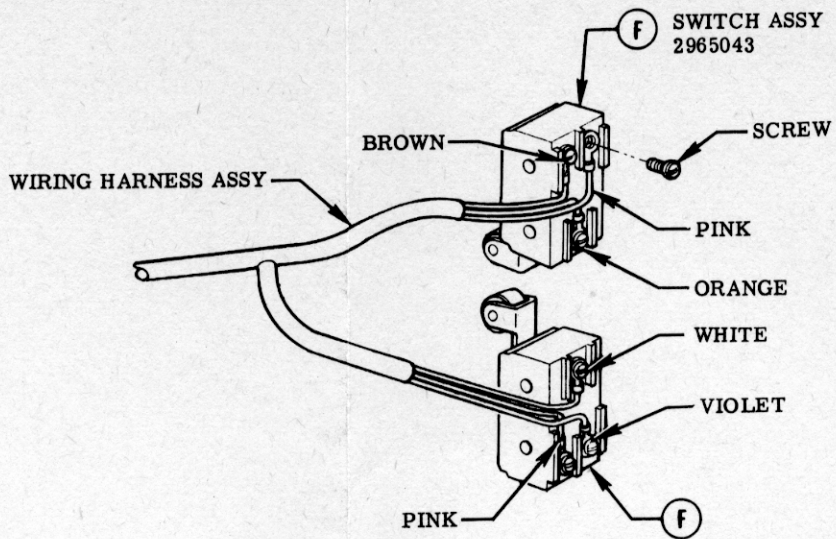
				NAME				CORVETTE INSTRUCTION MANUAL			
4-22-57	4	PART NO. & NOTE ADDED	7938	V	F	REF.	DRAWN	CHECKED	R. P. O.	SHEET	
3-15-57	3	WIRE REROUTED	325	V	F	9705	V	F	473 2.00		
7-31-56	2	REDRAWN & REVISED FOR 57	1541	V	F	DATE	PART No.				
DATE	SYM.	REVISION RECORD	AUTH.	DR.	CK.	6-4-56	3726900				



LIFT ASSY.



GENERAL MOTORS CORPORATION



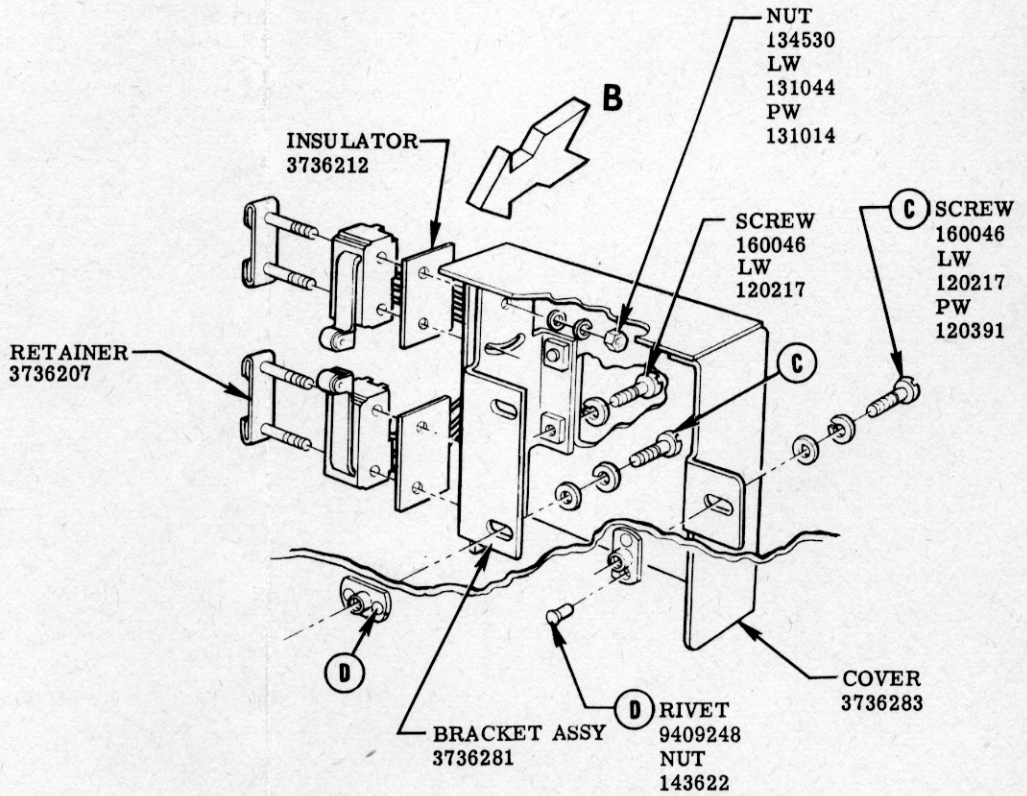
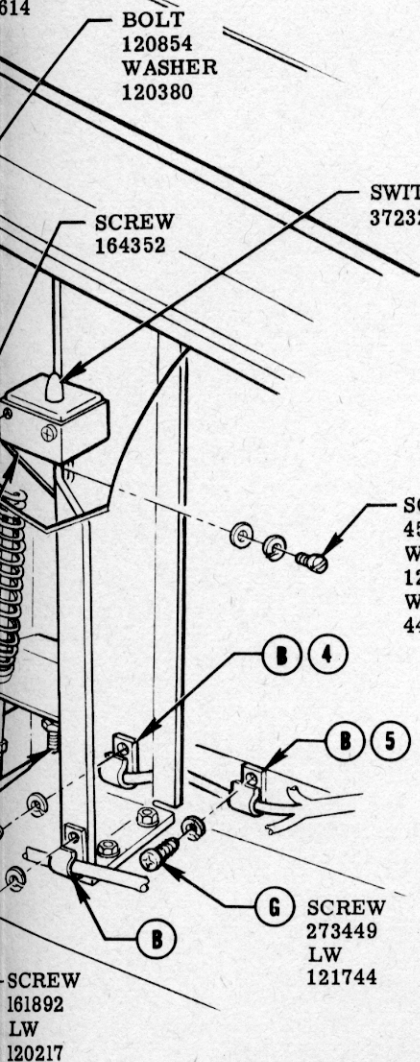
VIEW B

MENT

REW
046

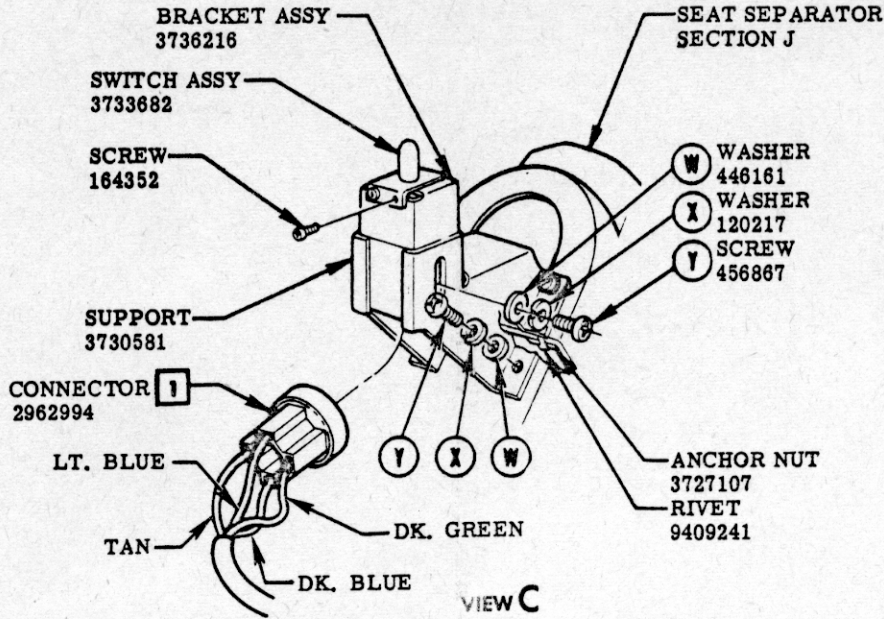
217

391
T
814

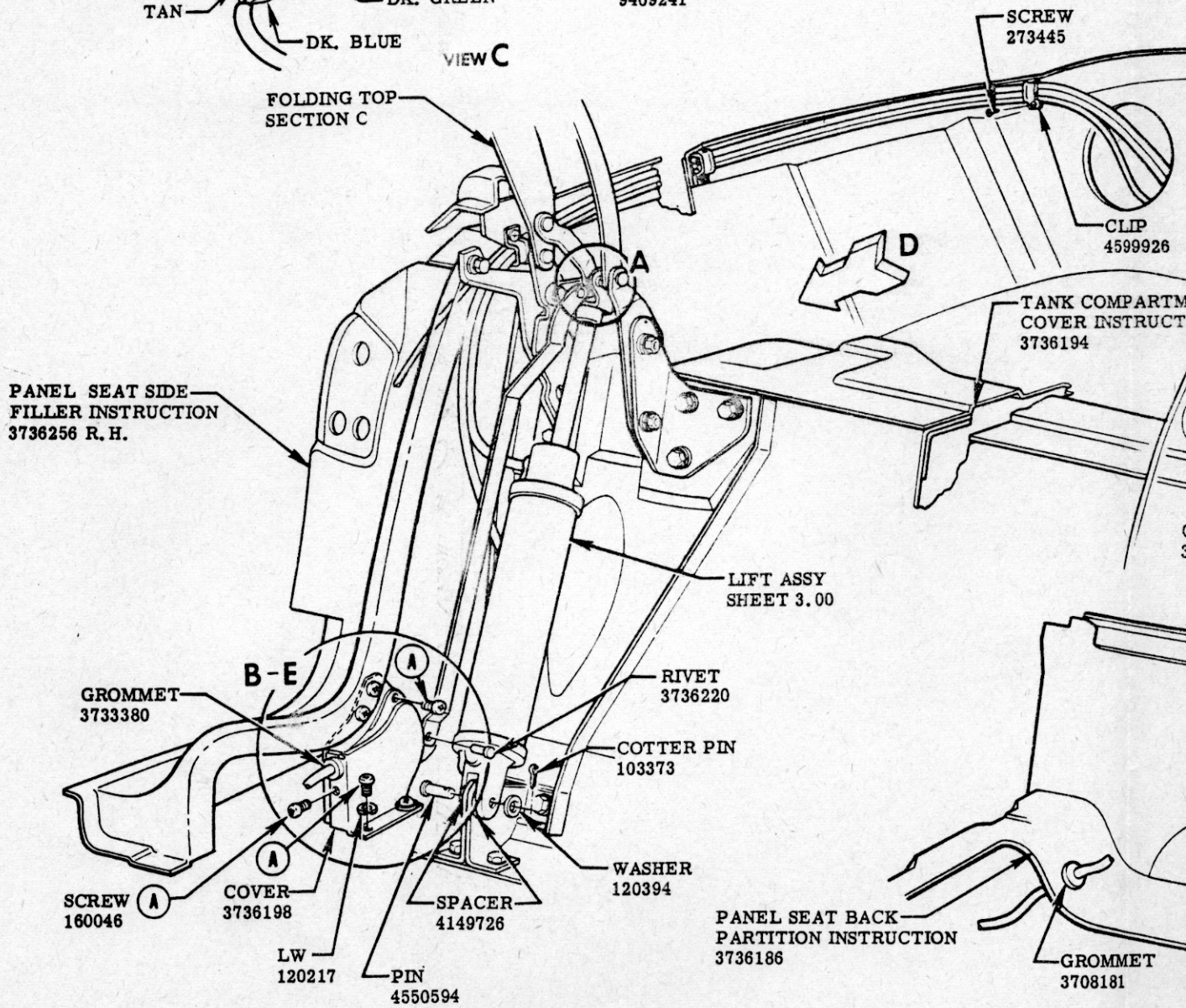


VIEW A

REVISION RECORD						CORVETTE INSTRUCTION MANUAL				
DATE	SYM.	REVISION RECORD	AUTH.	DR.	CK.	NAME	DRAWN	CHECKED	R. P. O.	SHEET
	6	SCREW WAS 163257				F				
	5	WAS 120529								
	4	WAS 3721558								
7-25-57	3	REDRAWN	2128	V		REF. 9705 7997	V	F		
						DATE 6-4-56	PART No. 3726900			
									473	3.00



LINK
373611

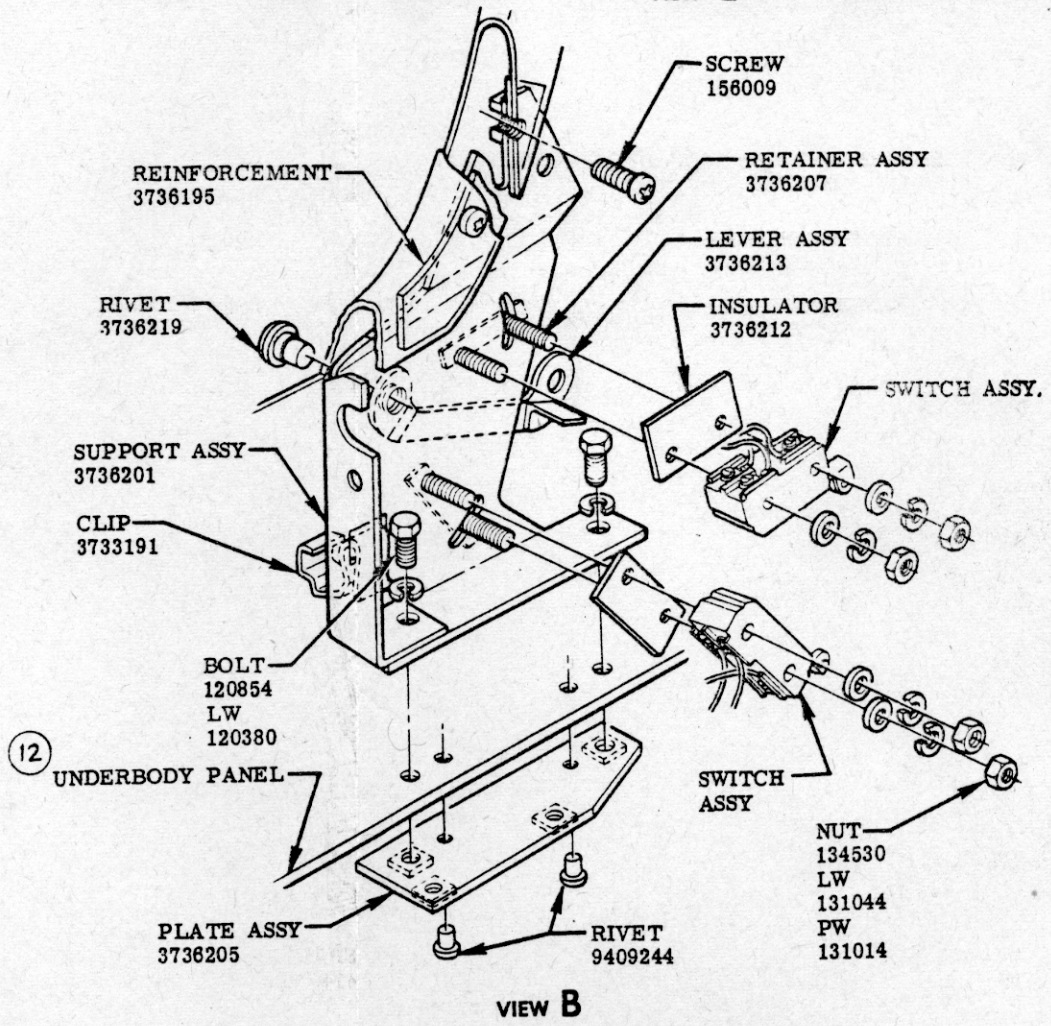
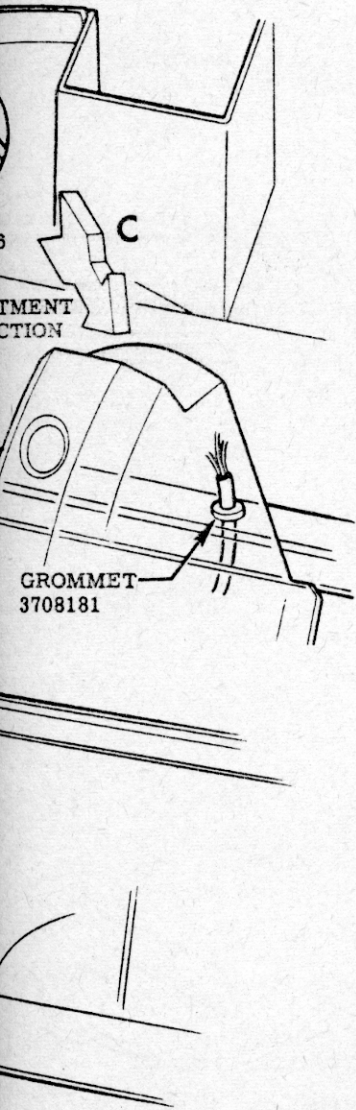
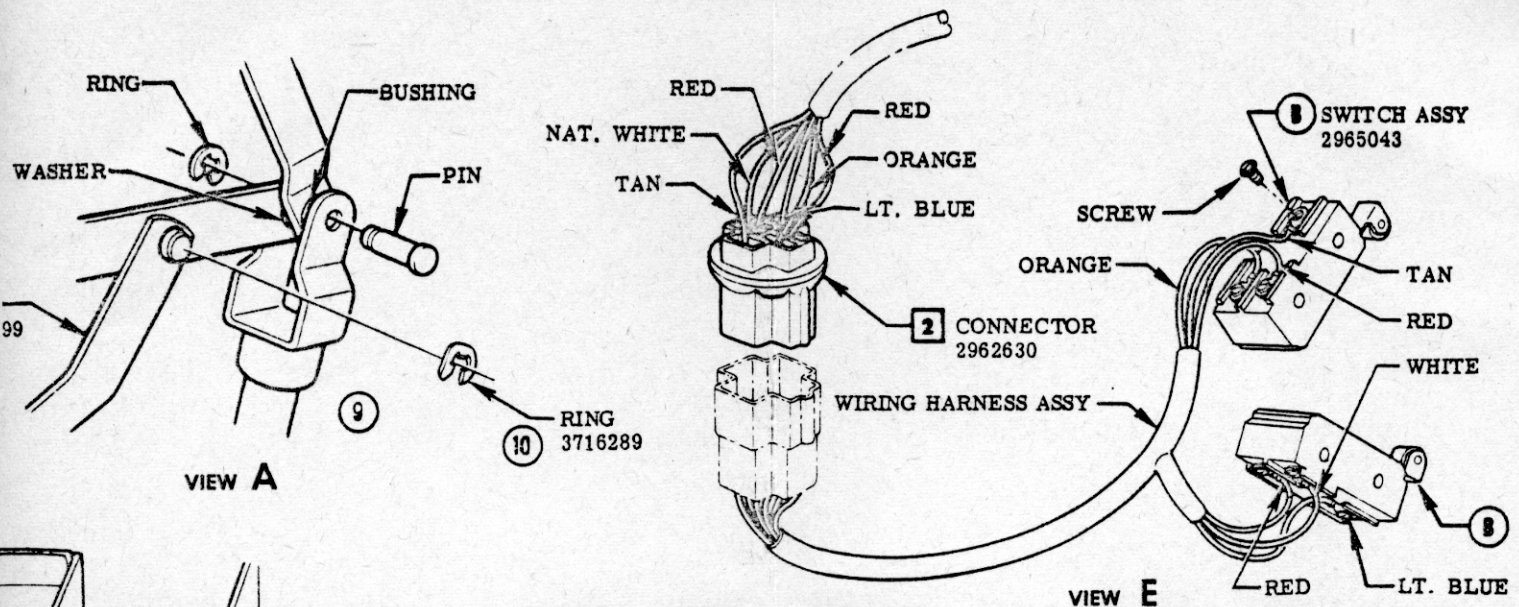


NOTE: **1** & **2** CONNECTORS
ARE PART OF 2967136 WIRING
HARNESS ASSEMBLY. SHIPPED
LOOSE.

SWITCHES



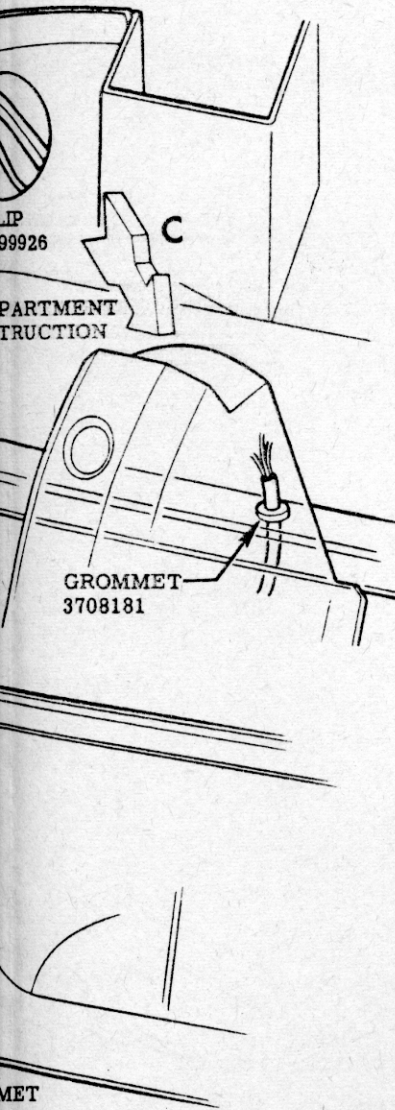
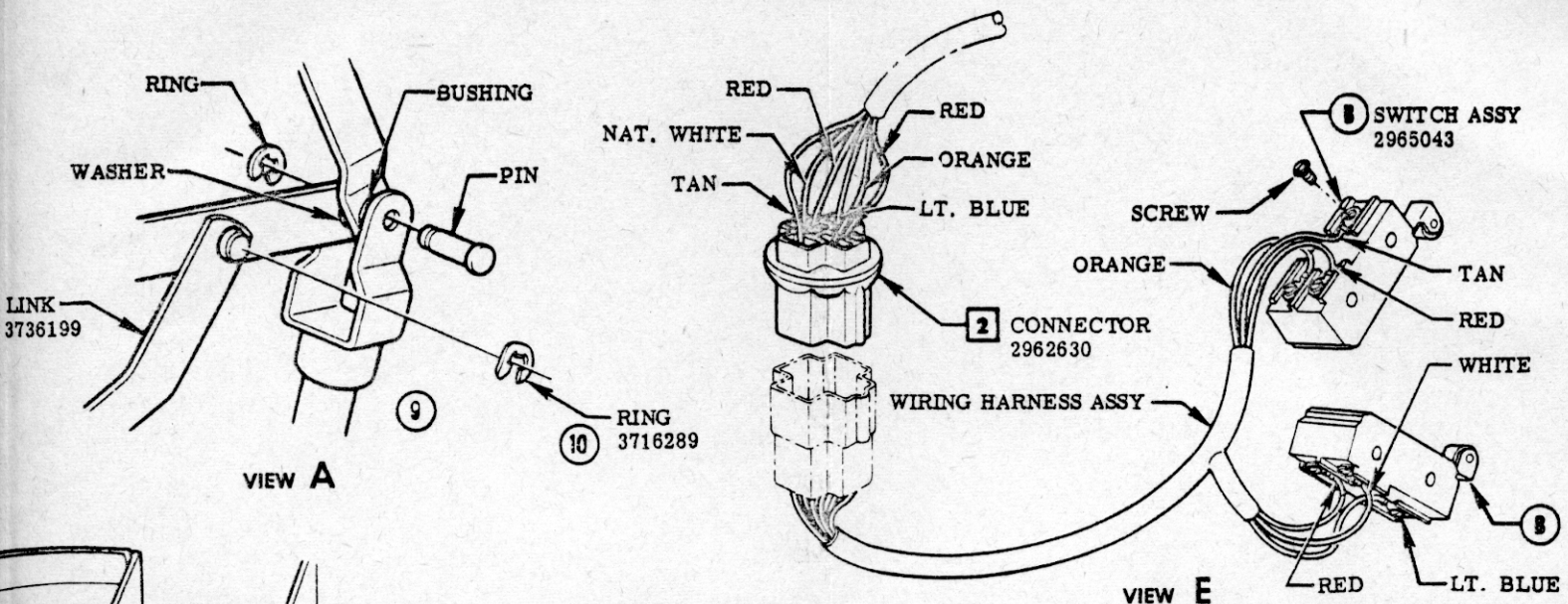
GENERAL MOTORS CORPORATION



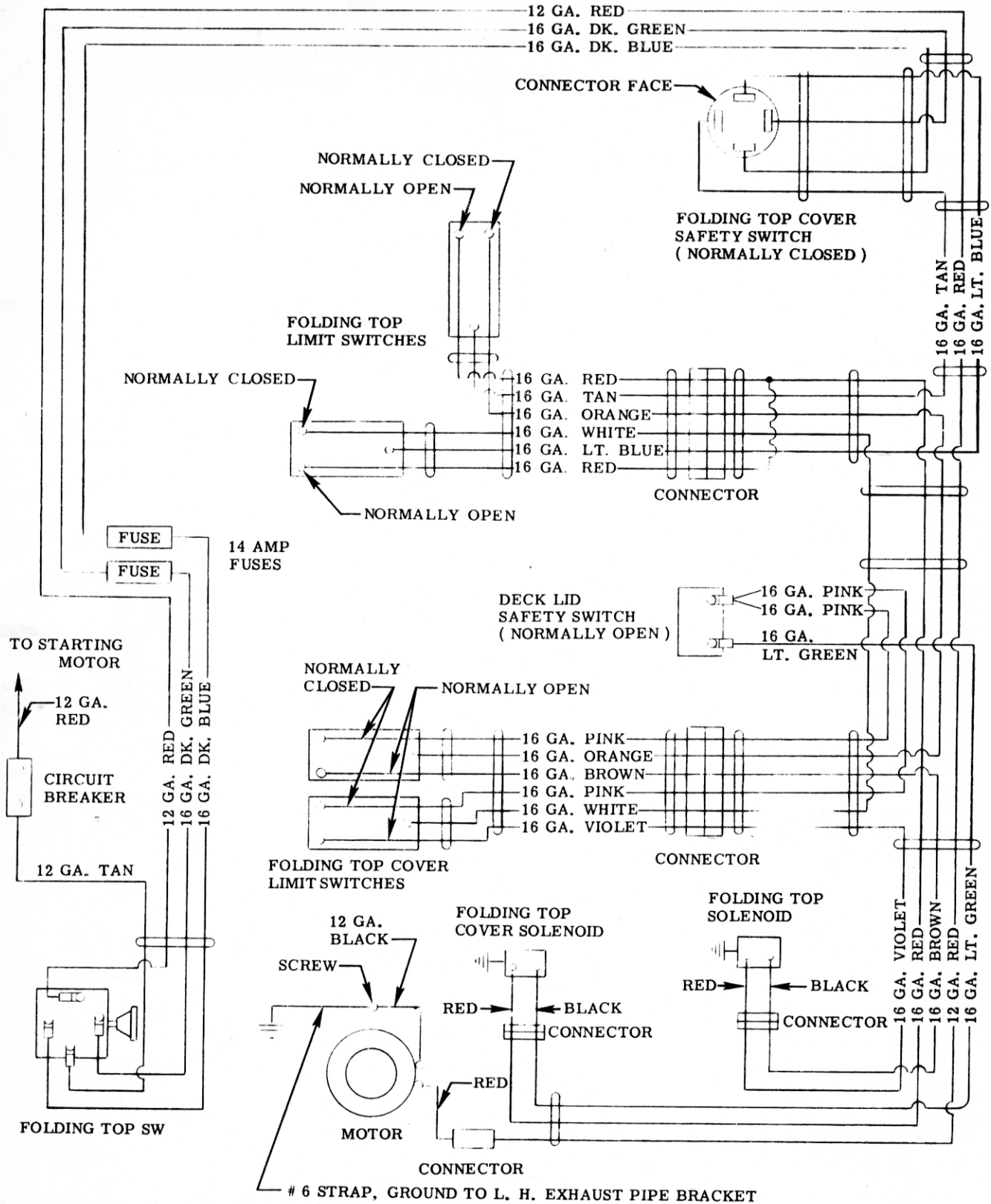
DATE	SYM.	REVISION RECORD	AUTH.	DR.	CK.	NAME	CORVETTE INSTRUCTION MANUAL			R. P. O.	SHEET
7-25-57	12	PART NO. 3736268 REMOVED	2528		F	REF. 9705 7997	DRAWN	CHECKED			
4-22-57	11	PART NO'S. & NOTE ADDED	7938	V	F	1306	V	F			
	10	3716289 ADDED									
	9	NO. 3736221-REMOVED									
10-22-56	8	REDRAWN	5026			DATE 6-4-56	PART No. 3726900		473	4.00	



GENERAL MOTORS CORPORATION



REVISION RECORD					CORVETTE INSTRUCTION MANUAL				
7-25-57	12	PART NO. 3736268 REMOVED	2528		NAME	CORVETTE INSTRUCTION MANUAL			
4-22-57	11	PART NO'S. & NOTE ADDED	7938	V	REF. 9705 7997	DRAWN	CHECKED	R. P. O.	SHEET
	10	3716289 ADDED		F	1306	V	F		
	9	NO. 3736221-REMOVED			DATE	PART No.		473	4.00
10-22-56	8	REDRAWN	5026		6-4-56	3726900			
DATE	SYM.	REVISION RECORD	AUTH.	DR.	CK.				



FOLDING TOP WIRING DIAGRAM

					NAME CORVETTE INSTRUCTION MANUAL				
9-25-56	2	SWITCHES WERE PART OF ASSY.	3722	WF	REF. 9705	DRAWN V	CHECKED F	R. P. O.	SHEET
7-31-56	1	REDRAWN & REV. FOR 57	1541	V F	DATE 6-4-56	PART No. 3726900		473	5.00
DATE	SYM.	REVISION RECORD	AUTH.	DR. CK.					