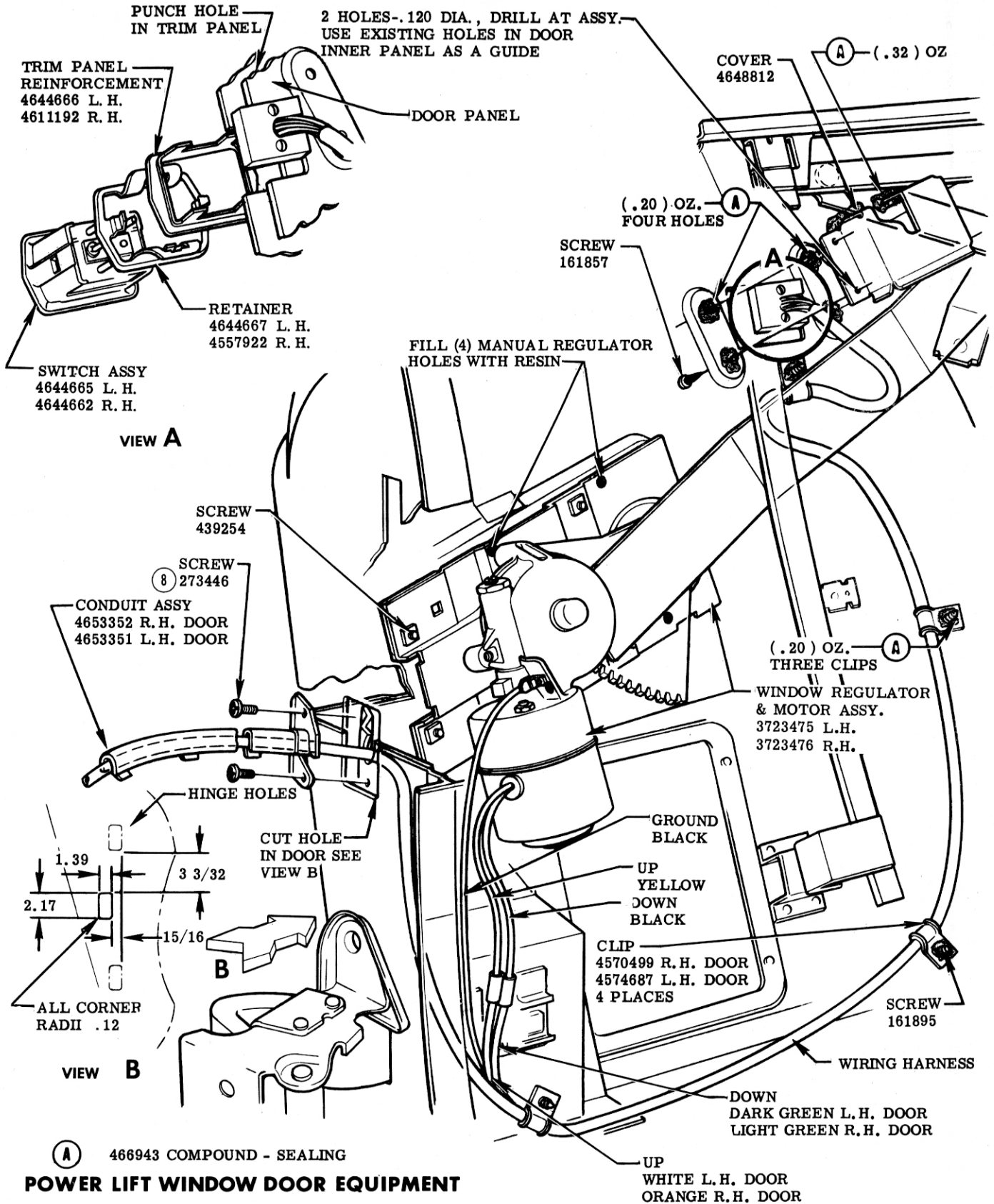


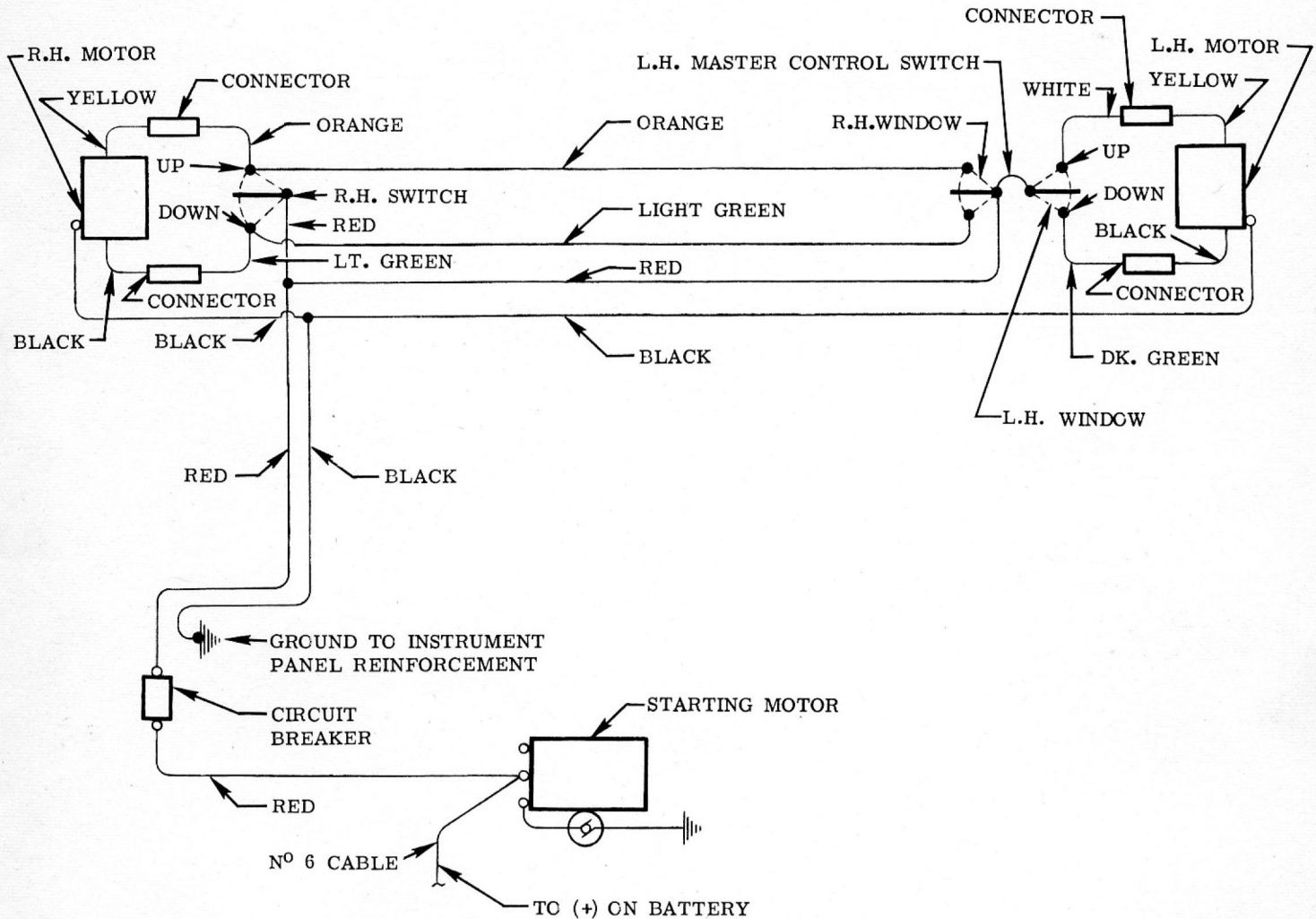
POWER LIFT WINDOWS

4-30-57	4	VIEW ADDED	9740	V	F	NAME CORVETTE INSTRUCTION MANUAL				
3-15-57	3	WIRE REROUTED	325	V	F	REF.	DRAWN J. J.	CHECKED L. S.	R. P. O.	SHEET
	2	VIEW A REVISED			F				426	1.00
2-2-56	1	WAS 4964746	5960			DATE 9-15-55	PART No. 3726900			
DATE	SYM.	REVISION RECORD	AUTH.	DR.	CK.					



POWER LIFT WINDOW DOOR EQUIPMENT

					NAME CORVETTE INSTRUCTION MANUAL				
REF.		DRAWN		CHECKED		R. P. O.		SHEET	
8		WAS 273449		J. J.		L. S.			
1-28-57		7 REDRAWN		7143				426 2.00	
DATE		SYM.		REVISION RECORD		AUTH. DR. CK.		DATE	
9-15-55								PART No. 3726900	



POWER LIFT WINDOW WIRING DIAGRAM

					NAME CORVETTE INSTRUCTION MANUAL				
					REF.	DRAWN J. J.	CHECKED L. S.	R. P. O.	SHEET
					DATE 9-15-55	PART No. 3726900		426	3.00
DATE	SYM.	REVISION RECORD	AUTH.	DR.	CK.				