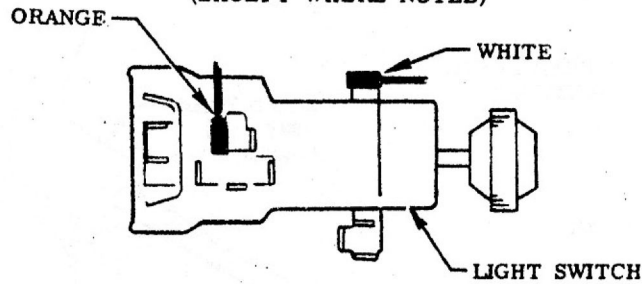
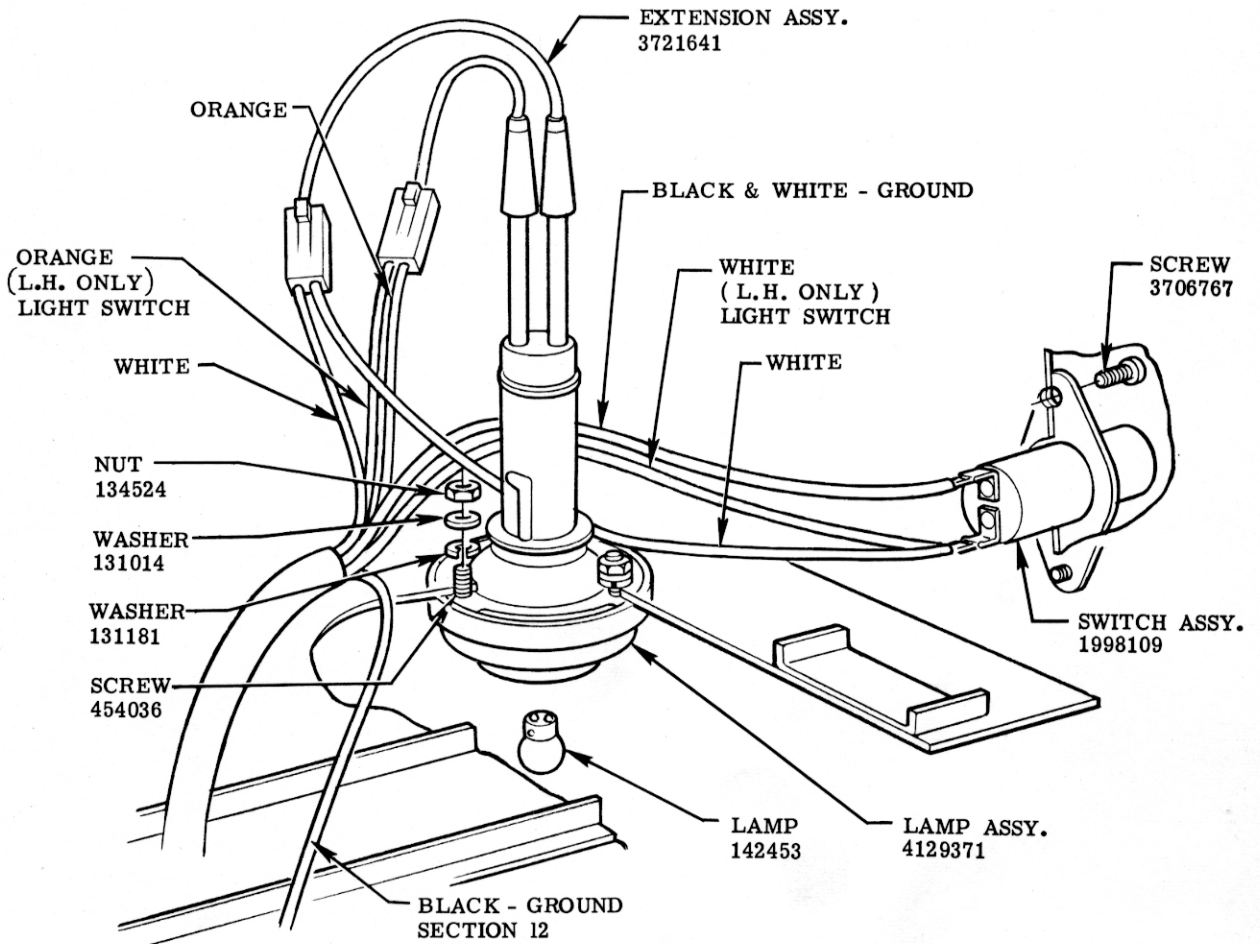


L. H. SHOWN
R. H. OPP.
(EXCEPT WHERE NOTED)

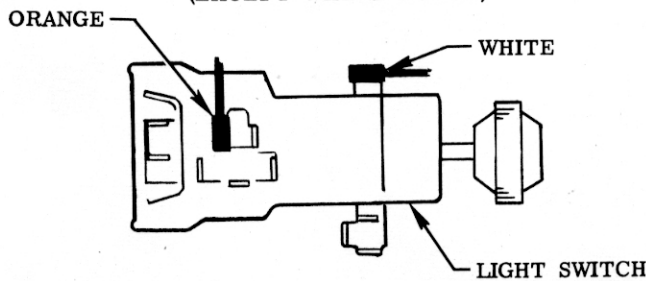


COURTESY LAMP

					NAME CORVETTE INSTRUCTION MANUAL				
					REF. 6661	DRAWN W. O.	CHECKED F	F.O.A.	SHEET
					DATE 2-27-56	PART No 3726900		108	1.00
DATE	SYM.	REVISION RECORD	AUTH.	DR.	CK.				



L. H. SHOWN
R. H. OPP.
(EXCEPT WHERE NOTED)



COURTESY LAMP

					NAME CORVETTE INSTRUCTION MANUAL				
					REF.	DRAWN O. W.	CHECKED L. S.	R. P. O.	SHEET
					DATE 9-15-55	PART No. 3726900		421	1.00
DATE	SYM.	REVISION RECORD	AUTH.	DR.	CK.				