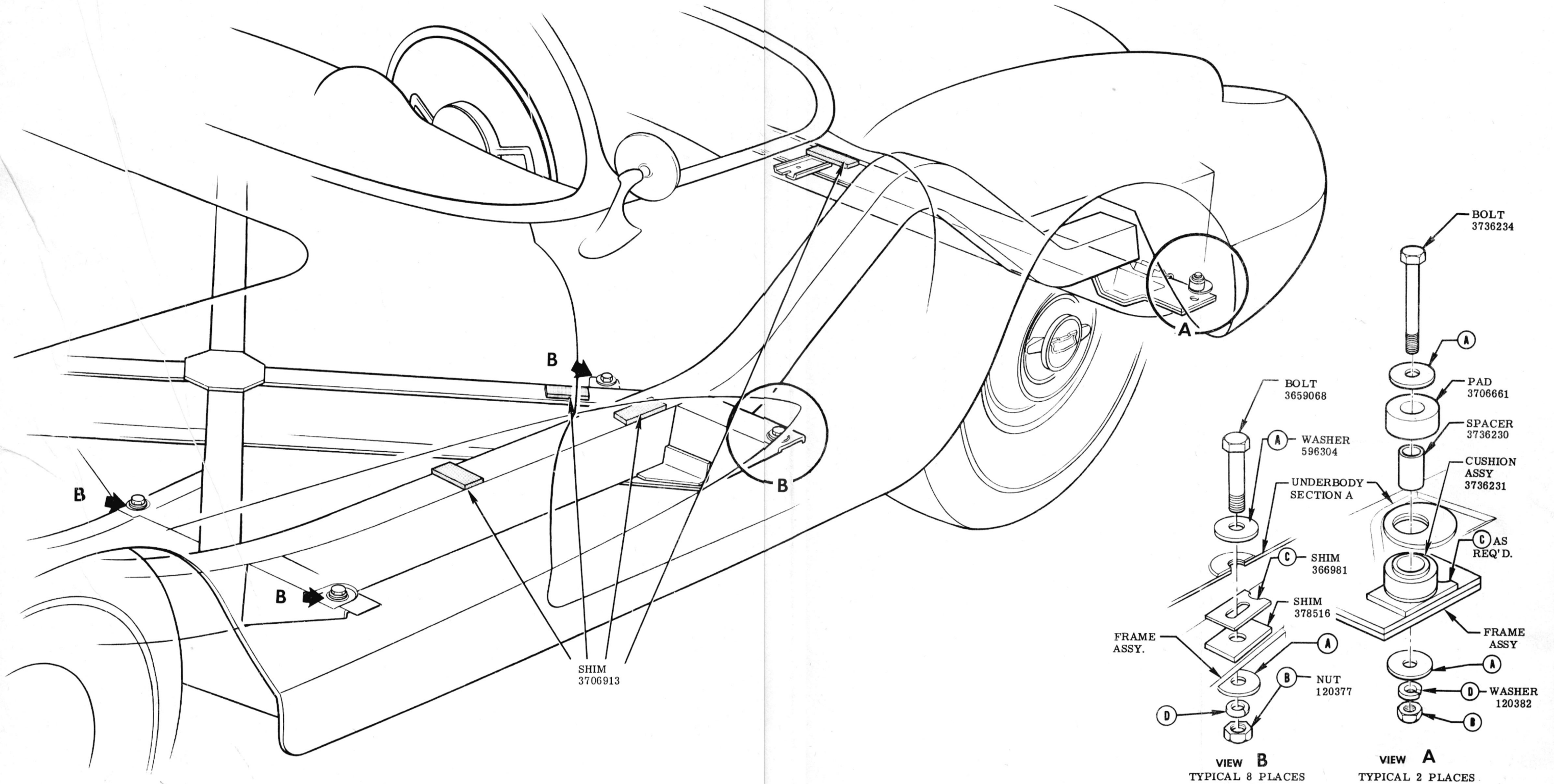
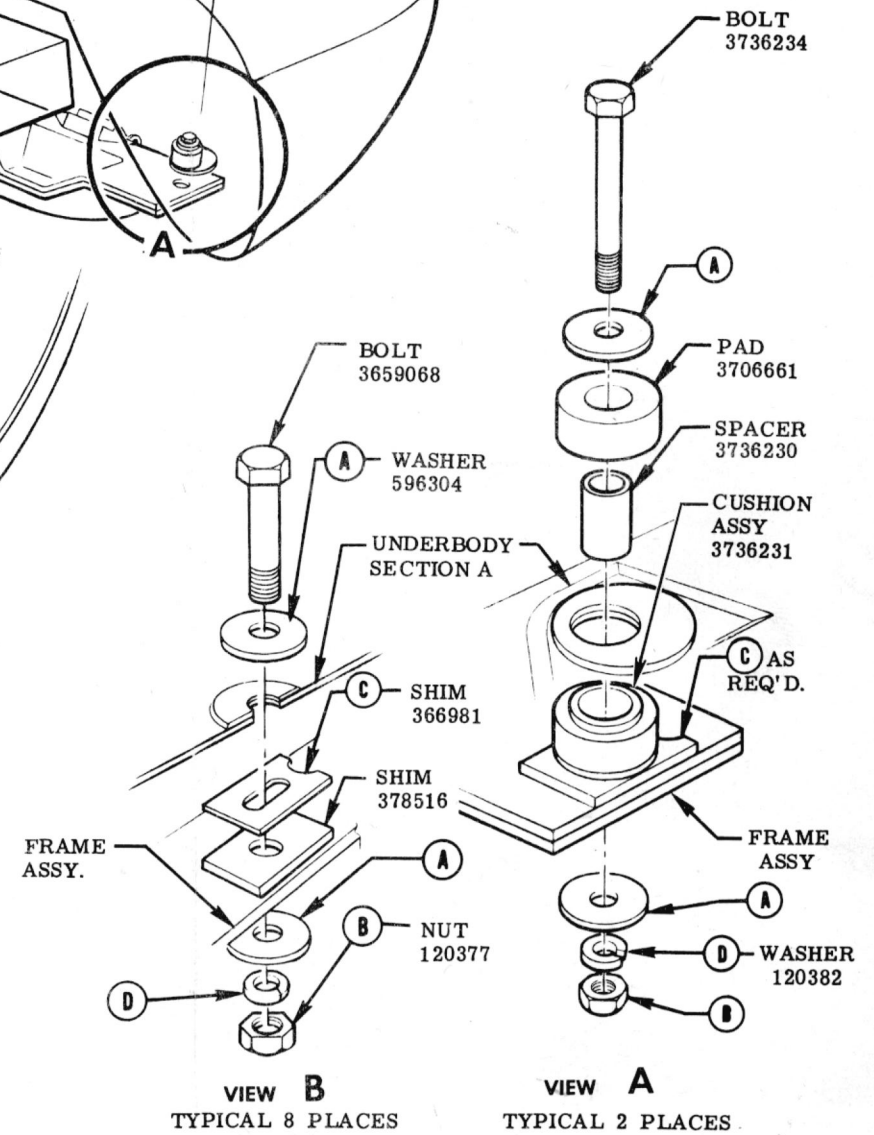


WXXXXXXKXKXKXKXKXKXKXKXKX
WXXXXXXKXKXKXKXKXKXKXKXKX

1
BODY
MOUNTING



BODY MOUNTING



						NAME	CORVETTE INSTRUCTION MANUAL			
						REF.	DRAWN C. C.	CHECKED W. M.	SECT.	SHEET
7-9-56	4	REDRAWN & REVISED	1116	F	DATE	PART No.	3726900		1	1.00
DATE	SYM.	REVISION RECORD	AUTH.	DR.	CK.	9-15-55				