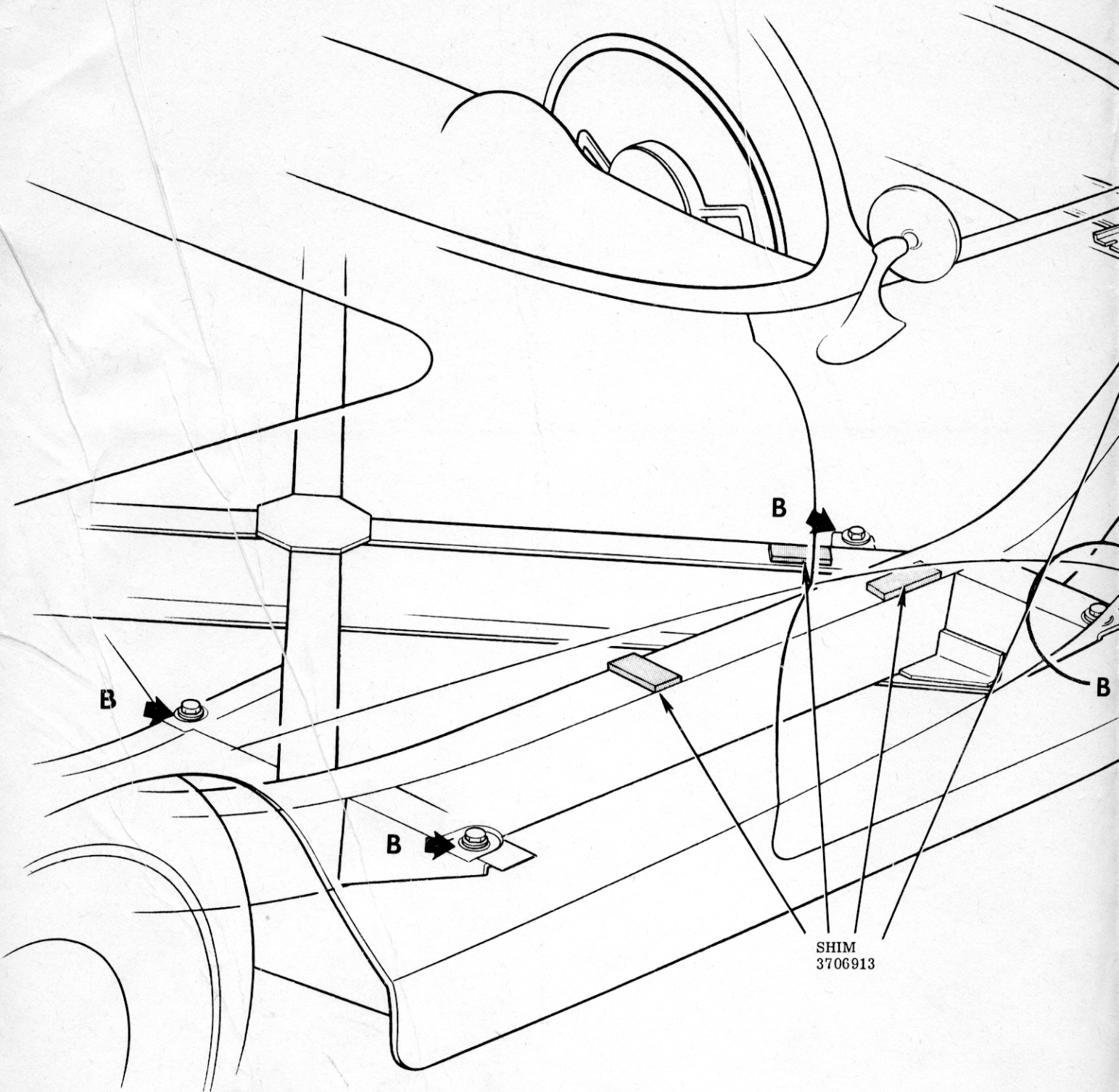
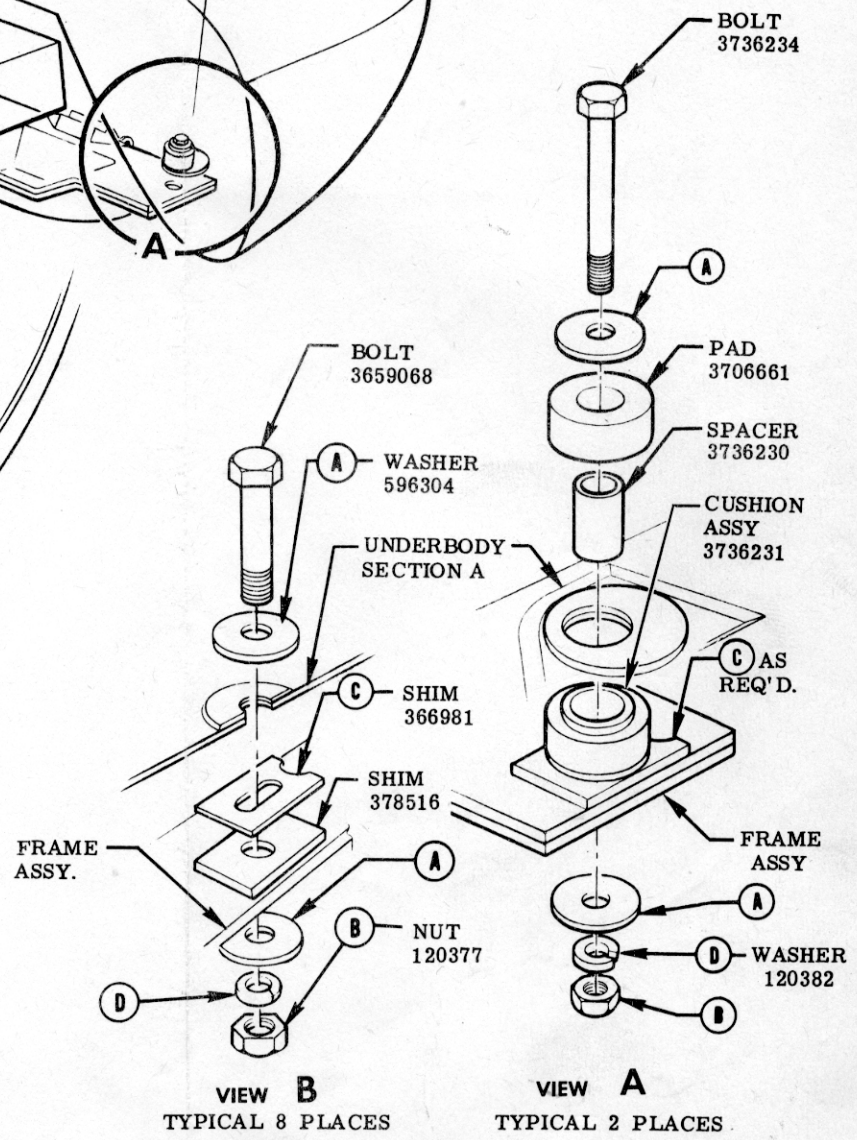
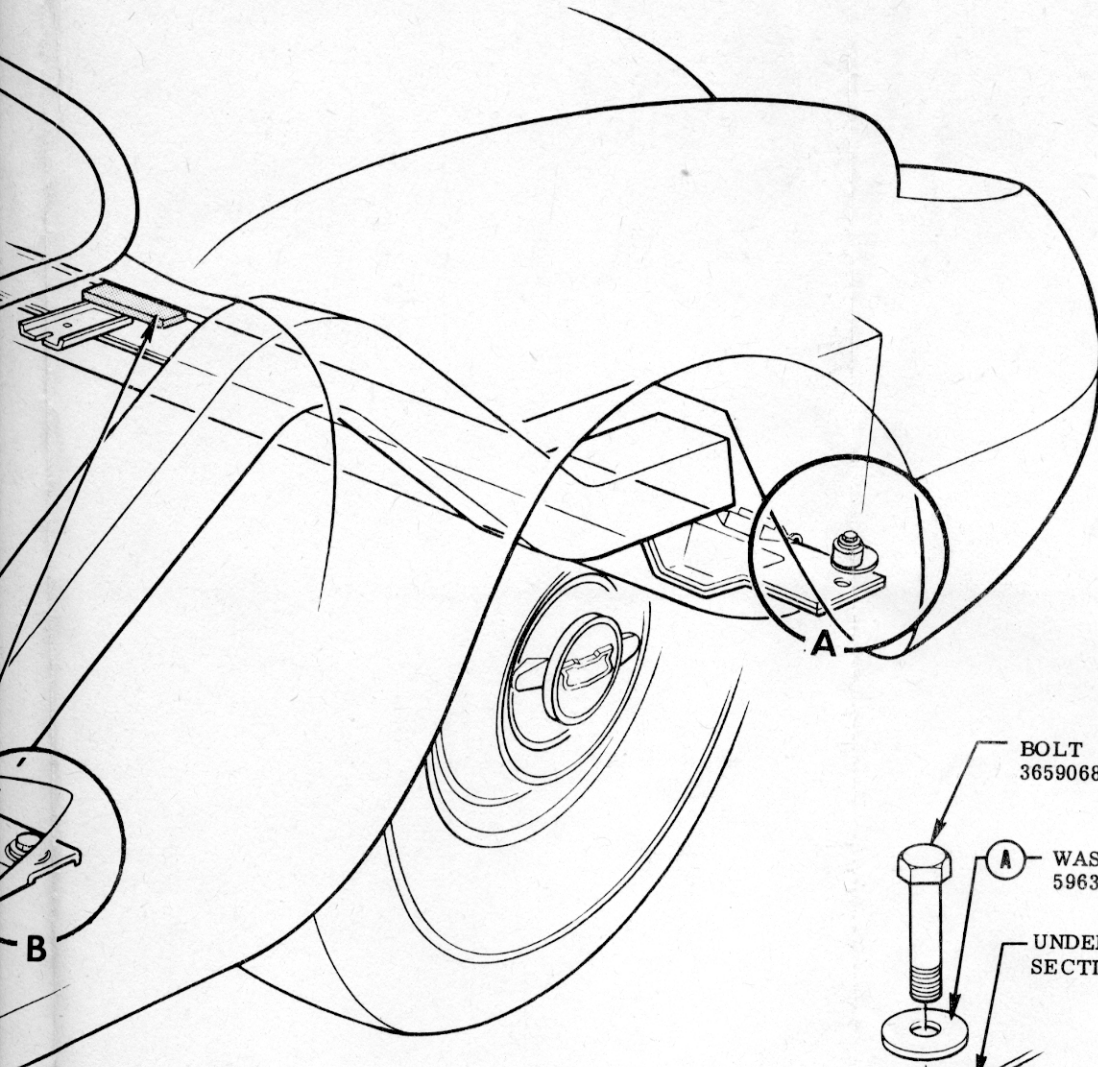


1 BODY MOUNTING



BODY MOUNTING



					NAME CORVETTE INSTRUCTION MANUAL				
REF.		DRAWN C.C.		CHECKED W.M.		SECT.		SHEET	
7-9-56		4		REDRAWN & REVISED		1116		F	
DATE		SYM.		REVISION RECORD		AUTH.		DR. CK.	
9-15-55		PART No.		3726900		1		1.00	