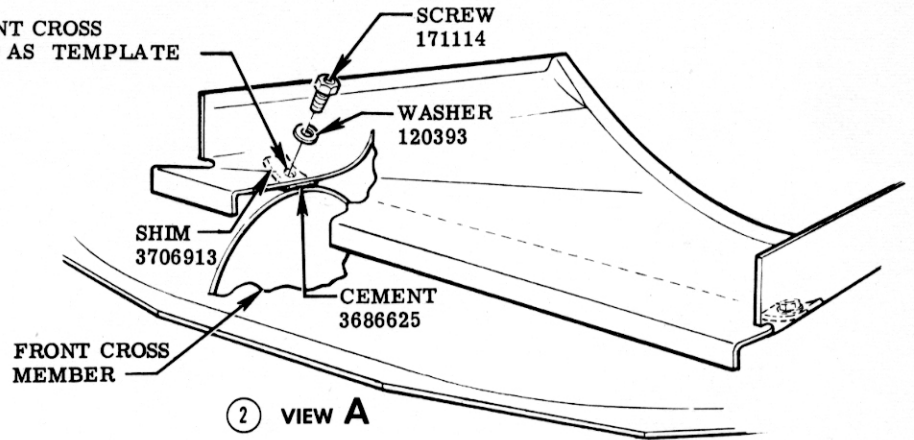


RADIATOR

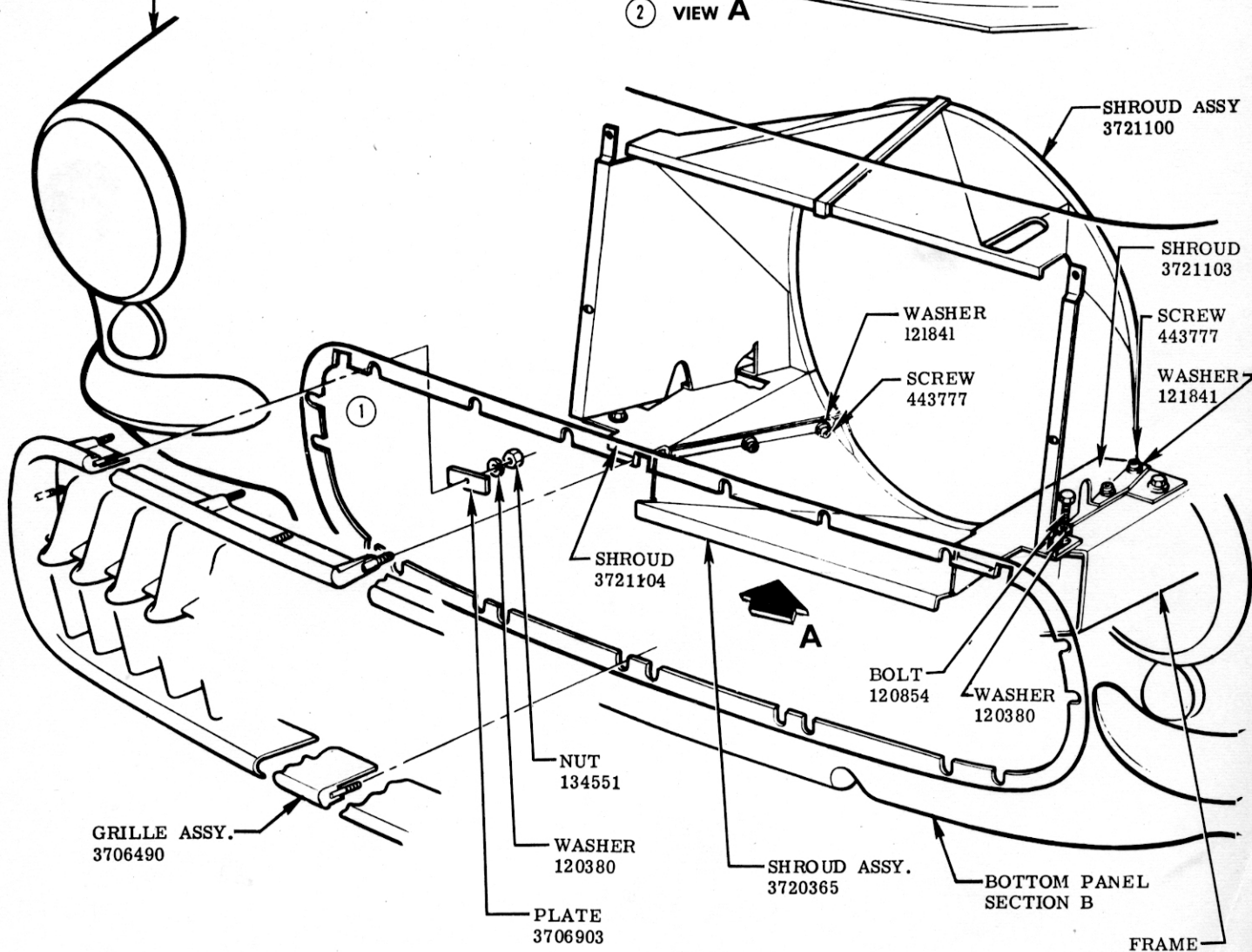
						NAME CORVETTE INSTRUCTION MANUAL				
						REF.	DRAWN J.J.	CHECKED L.S.	SECT.	SHEET
						DATE 9-15-55	PART No. 3726900		13	1.00
DATE	SYM.	REVISION RECORD		AUTH.	DR.	CK.				



DRILL (2) .289/.294 HOLES IN FRONT CROSS MEMBER USING HOLES IN SHROUD AS TEMPLATE



TOP PANEL SECTION B



RADIATOR GRILLE & SHROUD

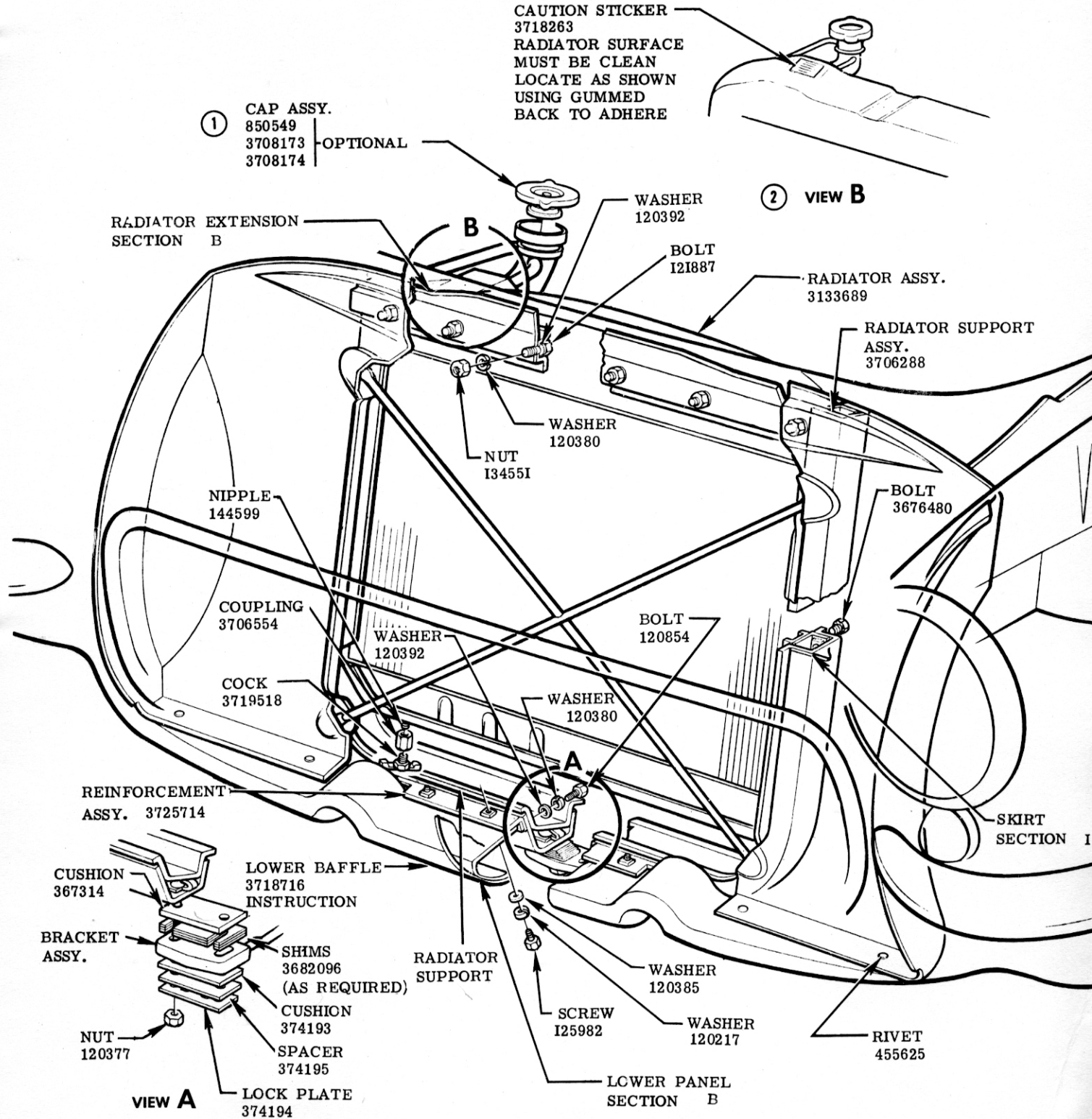
					NAME					
					CORVETTE INSTRUCTION MANUAL					
DATE	SYM.	REVISION RECORD	AUTH.	DR.	CK.	REF.	DRAWN R. H.	CHECKED L. S.	SECT.	SHEET
7-23-56	2	VIEW ADDED			V	F				
4-2-56	1	3706904 PLATE REMOVED	5044						13	2.00
						DATE 9-15-55	PART No. 3726900			



CAUTION STICKER
3718263
RADIATOR SURFACE
MUST BE CLEAN
LOCATE AS SHOWN
USING GUMMED
BACK TO ADHERE

① CAP ASSY.
850549
3708173 | OPTIONAL
3708174

② VIEW B



RADIATOR SUPPORT, LOWER BAFFLE, BAFFLE REINFORCEMENT & RADIATOR BODY

					CORVETTE INSTRUCTION MANUAL				
					NAME	DRAWN	CHECKED	SECT.	SHEET
					REF.	W.S.	W.M.		
	2	VIEW B ADDED		F	DATE	PART No.	13 3.00		
7-23-56	1	WAS 8505499 IN ERROR			9-15-55	3726900			
DATE	SYM.	REVISION RECORD	AUTH.	DR.	CK.				