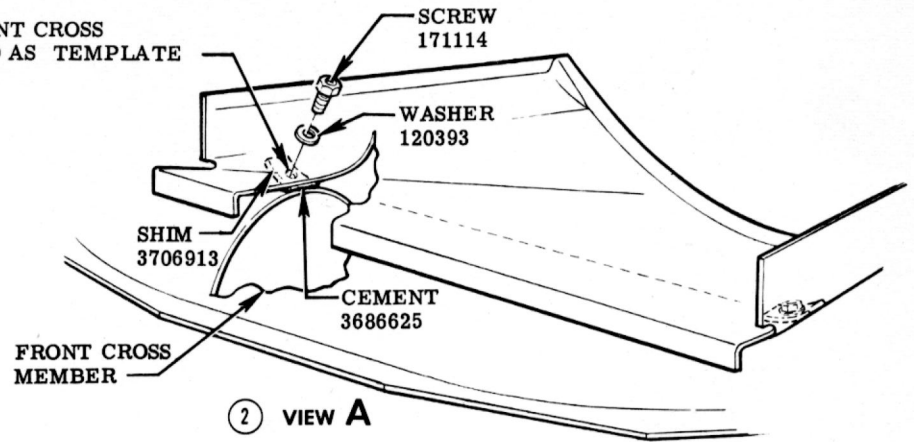


RADIATOR

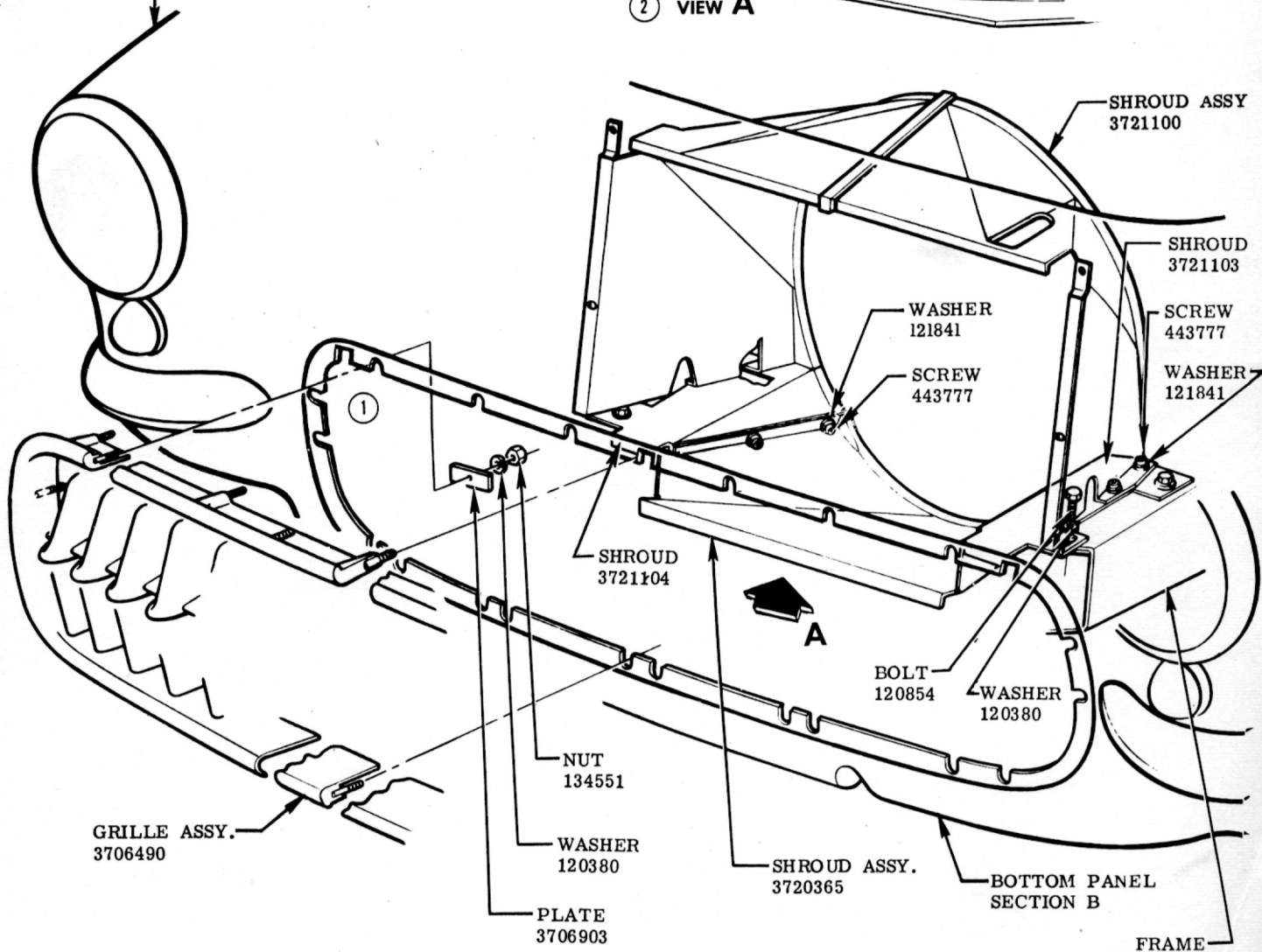
						NAME CORVETTE INSTRUCTION MANUAL				
						REF.	DRAWN J.J.	CHECKED L.S.	SECT.	SHEET
						DATE 9-15-55	PART No. 3726900		13	1.00
DATE	SYM.	REVISION RECORD	AUTH.	DR.	CK.					



DRILL (2) .289/.294 HOLES IN FRONT CROSS MEMBER USING HOLES IN SHROUD AS TEMPLATE

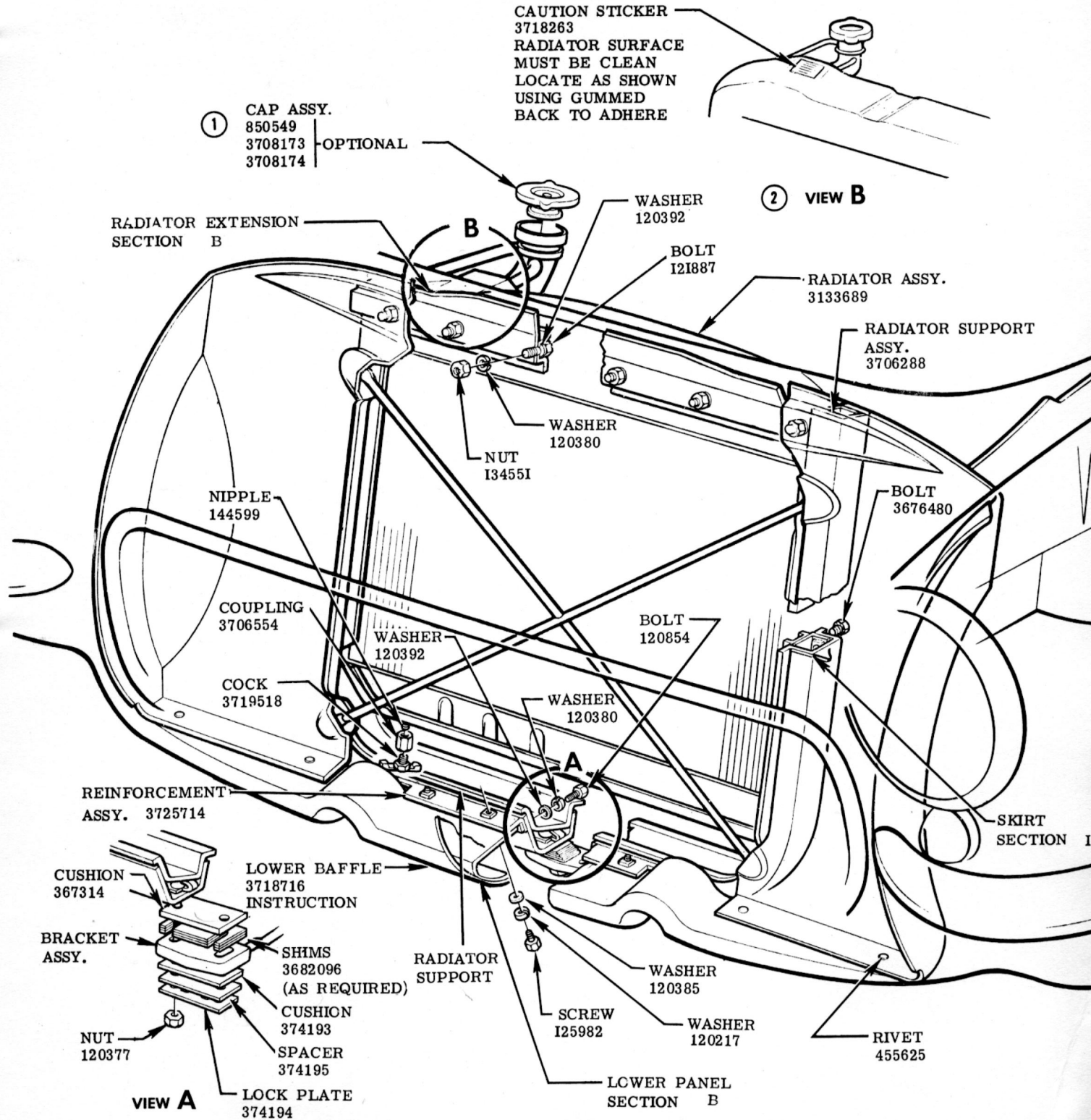


TOP PANEL SECTION B



RADIATOR GRILLE & SHROUD

					NAME CORVETTE INSTRUCTION MANUAL				
					REF.	DRAWN R. H.	CHECKED L. S.	SECT.	SHEET
7-23-56	2	VIEW ADDED		V	F				
4-2-56	1	3706904 PLATE REMOVED	5044						
DATE	SYM.	REVISION RECORD	AUTH.	DR.	CK.	DATE	PART No.		
						9-15-55	3726900	13	2.00



RADIATOR SUPPORT, LOWER BAFFLE, BAFFLE REINFORCEMENT & RADIATOR BODY

					CORVETTE INSTRUCTION MANUAL				
					NAME	DRAWN	CHECKED	SECT.	SHEET
					REF.	W.S.	W.M.		
	2	VIEW B ADDED		F	DATE	PART No.	13 3.00		
7-23-56	1	WAS 8505499 IN ERROR			9-15-55	3726900			
DATE	SYM.	REVISION RECORD	AUTH.	DR.	CK.				