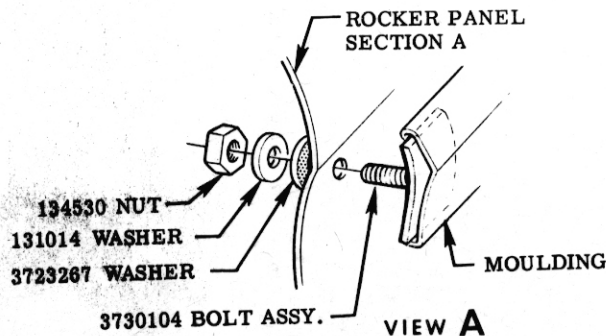
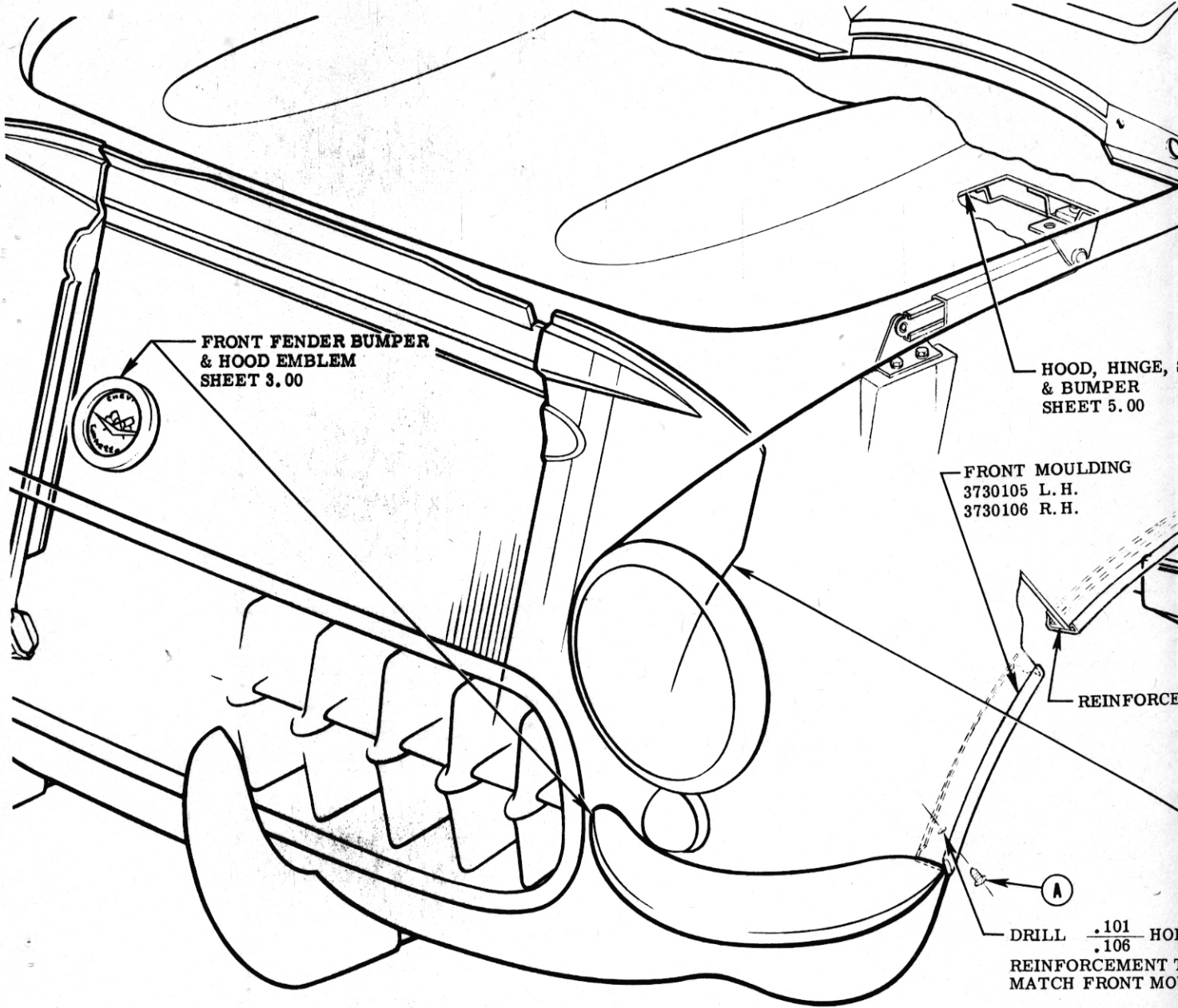


WINDMILL

WINDMILL

11 HOOD & FENDERS



ROCKER PANEL SECTION A

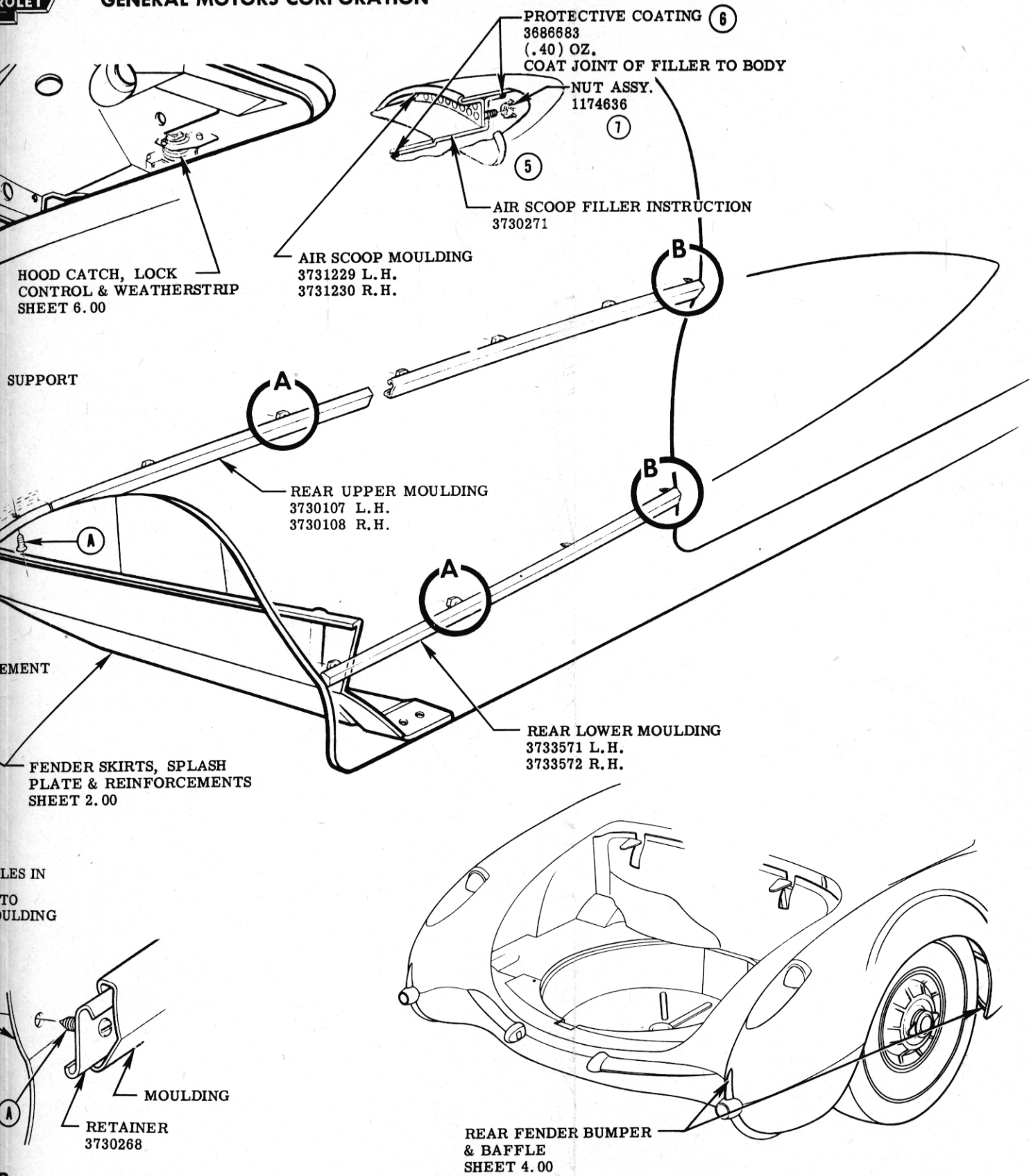
SCREW 144804

② TYPICAL - 7 PLACES EACH SIDE

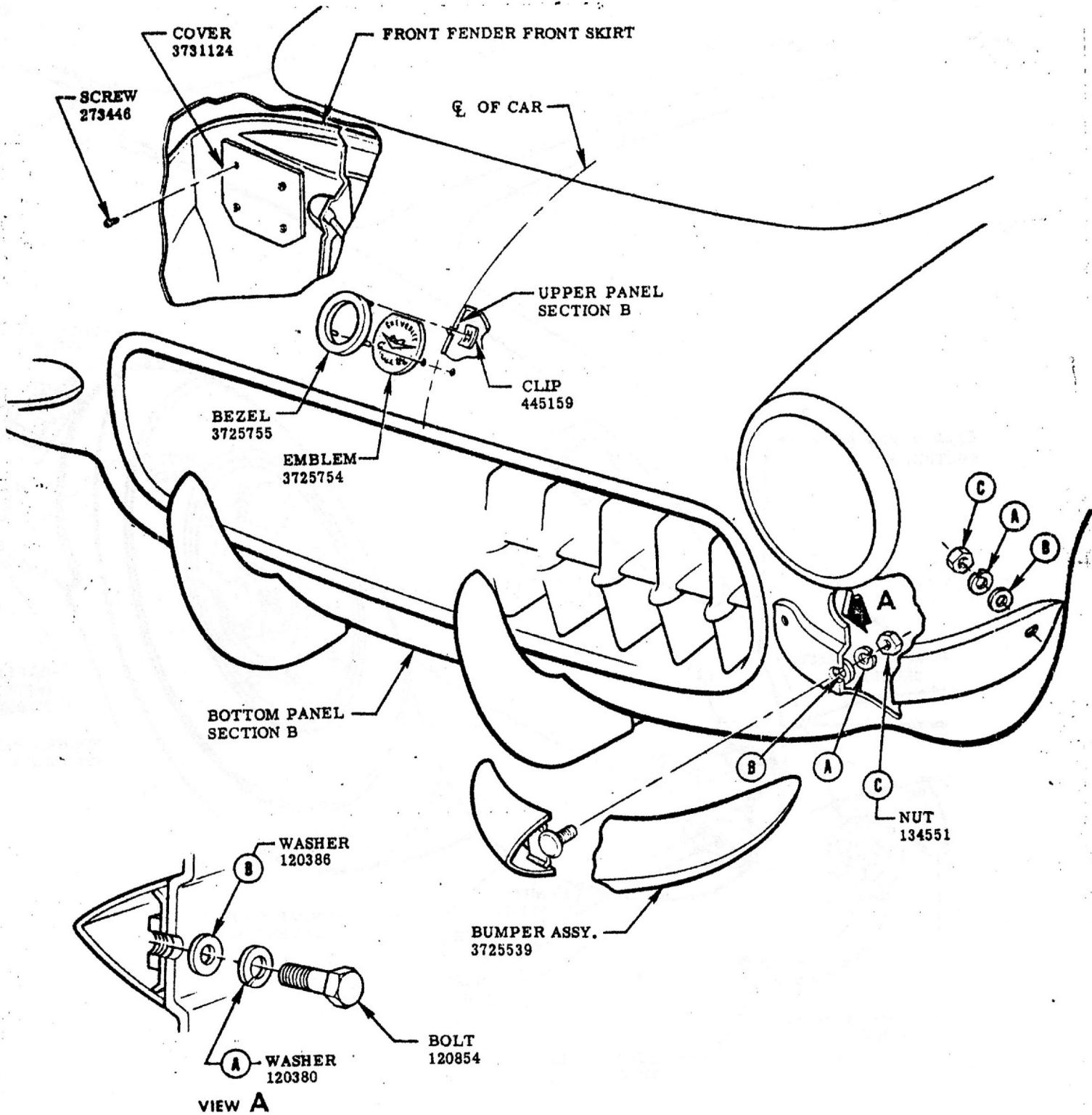
③ TYPICAL - 3 EACH SIDE



GENERAL MOTORS CORPORATION

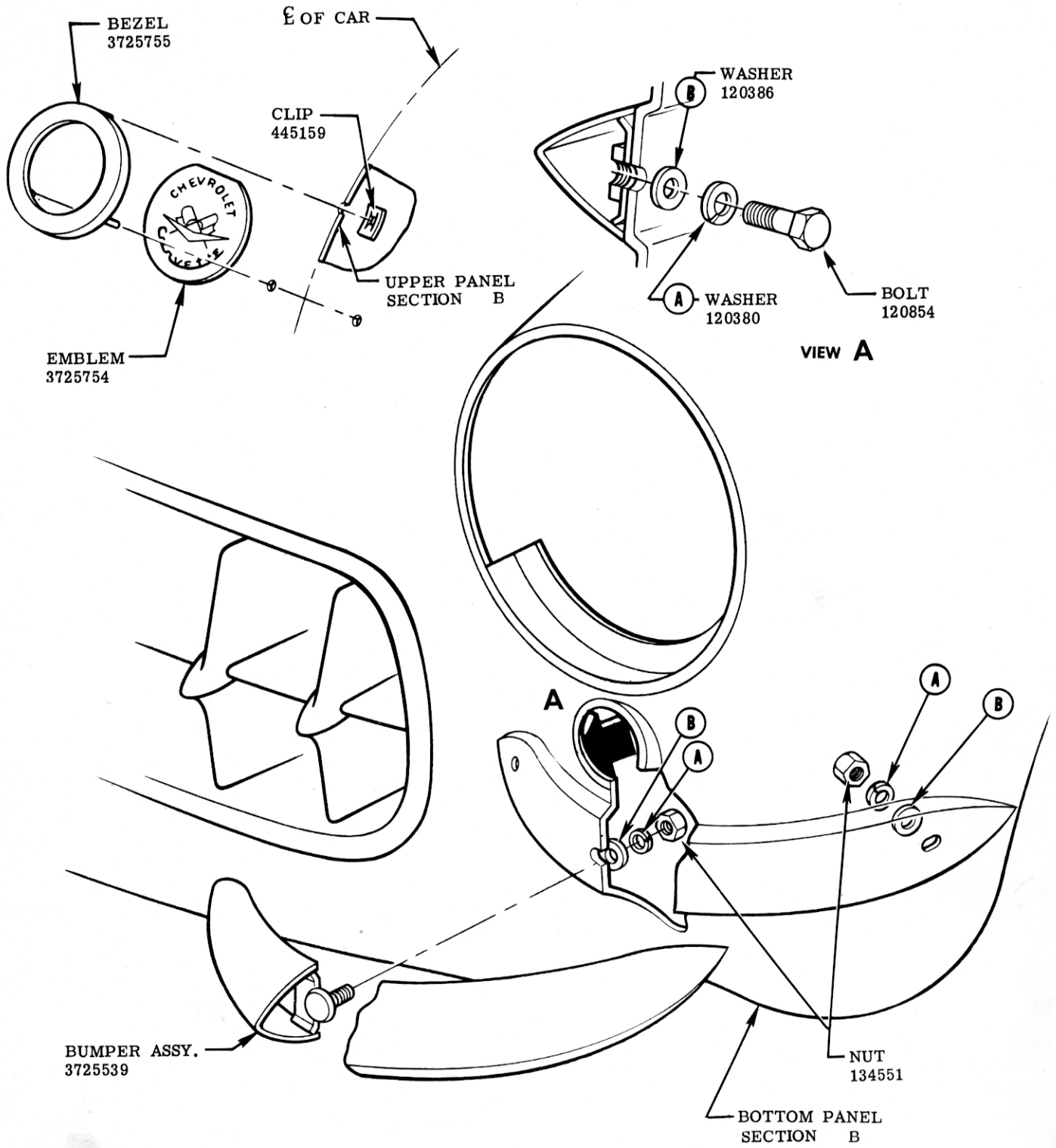


DATE	SYM.	REVISION RECORD	AUTH.	DR.	CK.	NAME	CORVETTE INSTRUCTION MANUAL			
4-30-57	7	NUT ASSY. 1174636 WAS CLIP			F	REF.	DRAWN R. L.	CHECKED W. M.	SECT.	SHEET
	6	445159 & CEMENT 466943	501		F				11	1.00
11-13-56	5	PART & NOTE ADDED	4059	V	F	DATE	PART No.			
7-31-56	4	REDRAWN & REV. FOR 57	2416	V	F	9-15-55	3726900			
REVISION RECORD										



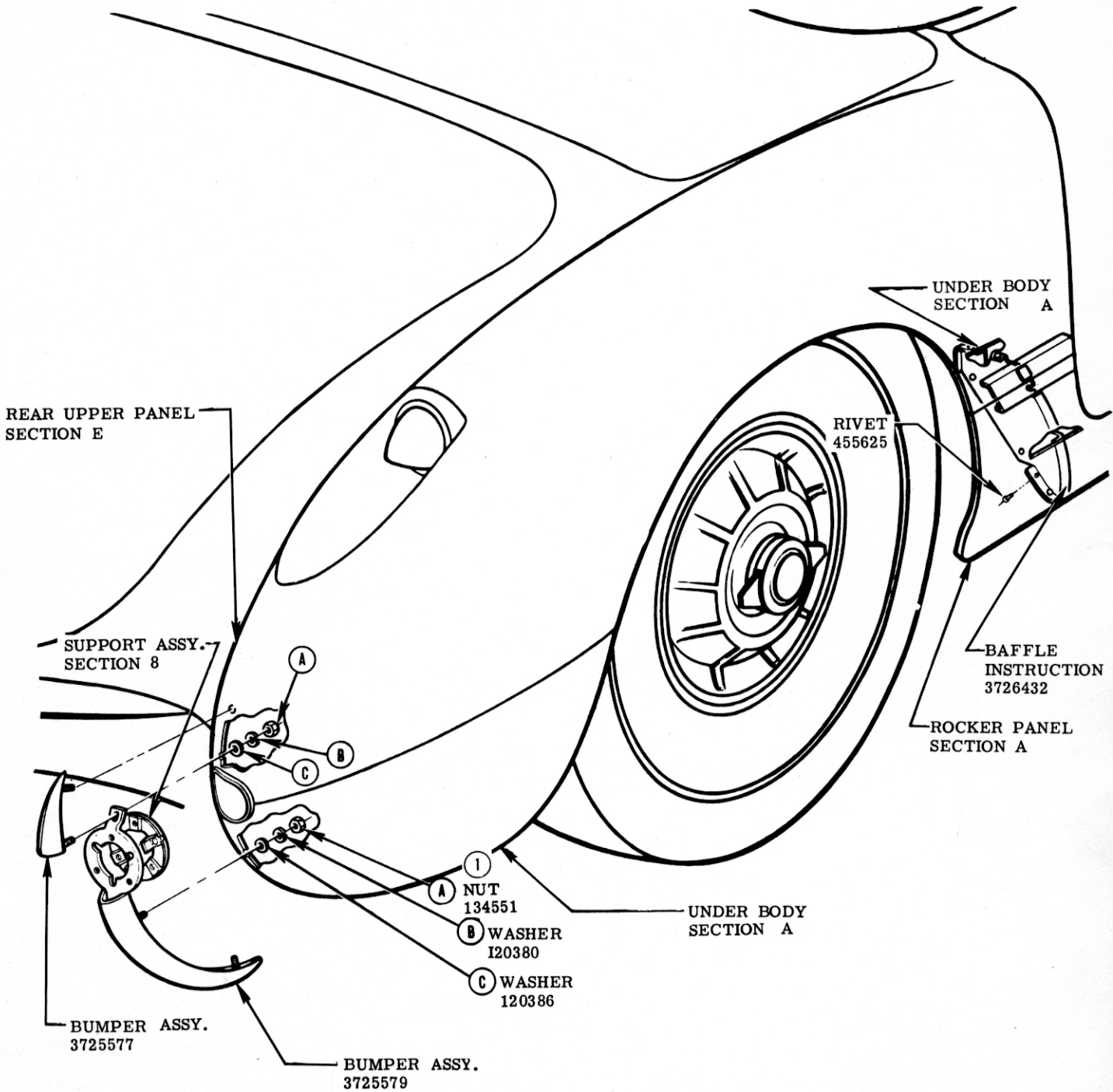
FRONT FENDER BUMPER & HOOD EMBLEM

					NAME					CORVETTE INSTRUCTION MANUAL				
					REF.		DRAWN W.M.		CHECKED L.S.		SECT.		SHEET	
											11		3.00	
4-2-56		REDRAWN & REVISED			4521		V		F		DATE		PART No.	
DATE		SYM.		REVISION RECORD			AUTH.		DR.		CK.		9-15-55	
										3726900				



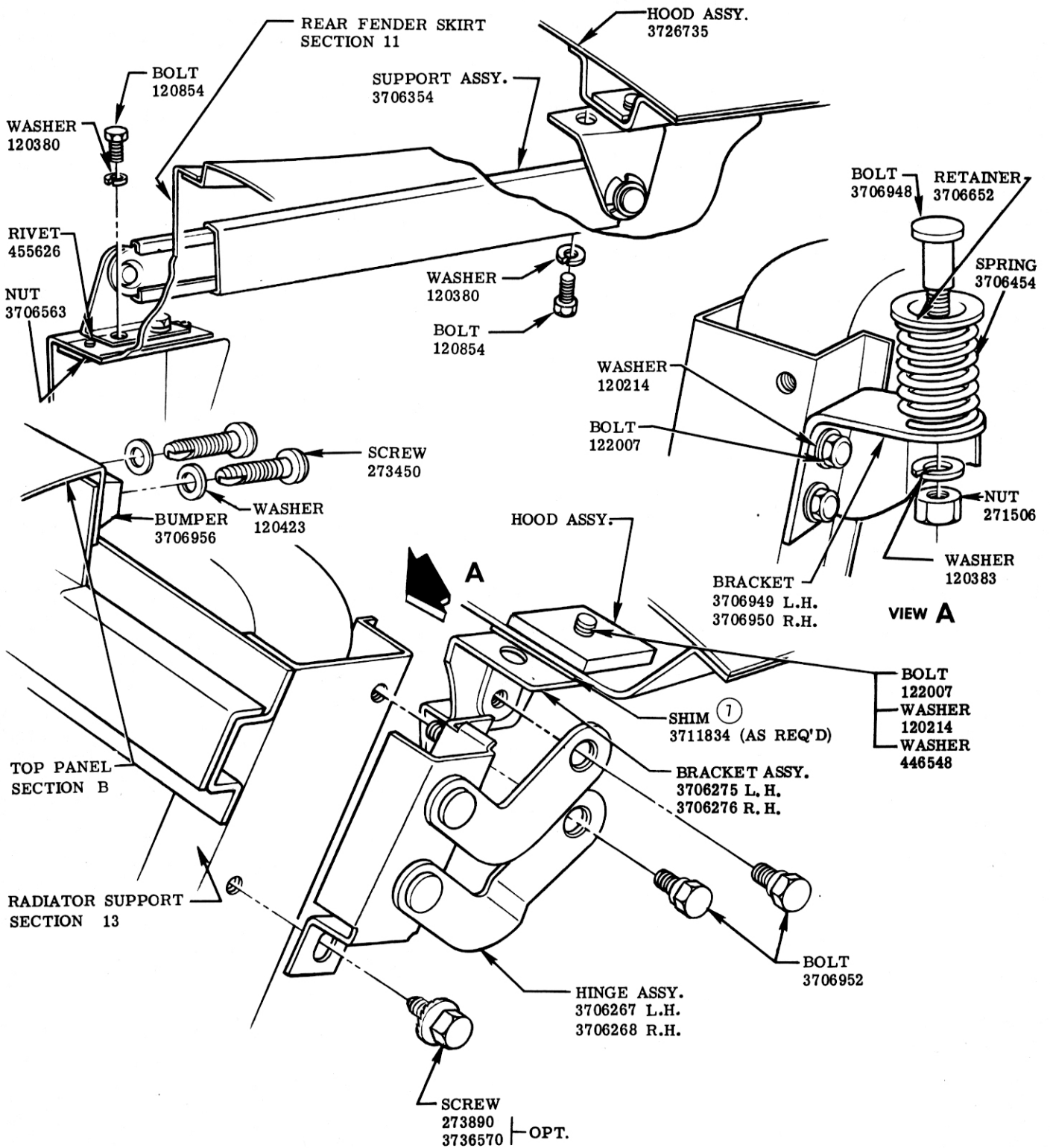
FRONT FENDER BUMPER & HOOD EMBLEM

					NAME					CORVETTE INSTRUCTION MANUAL				
					REF.	DRAWN		CHECKED		SECT.		SHEET		
						W. M.		L. S.		11		3.00		
					DATE	PART No.								
					9-15-55	3726900								
DATE	SYM.	REVISION RECORD			AUTH.	DR.	CK.							



REAR FENDER BUMPER & BAFFLE

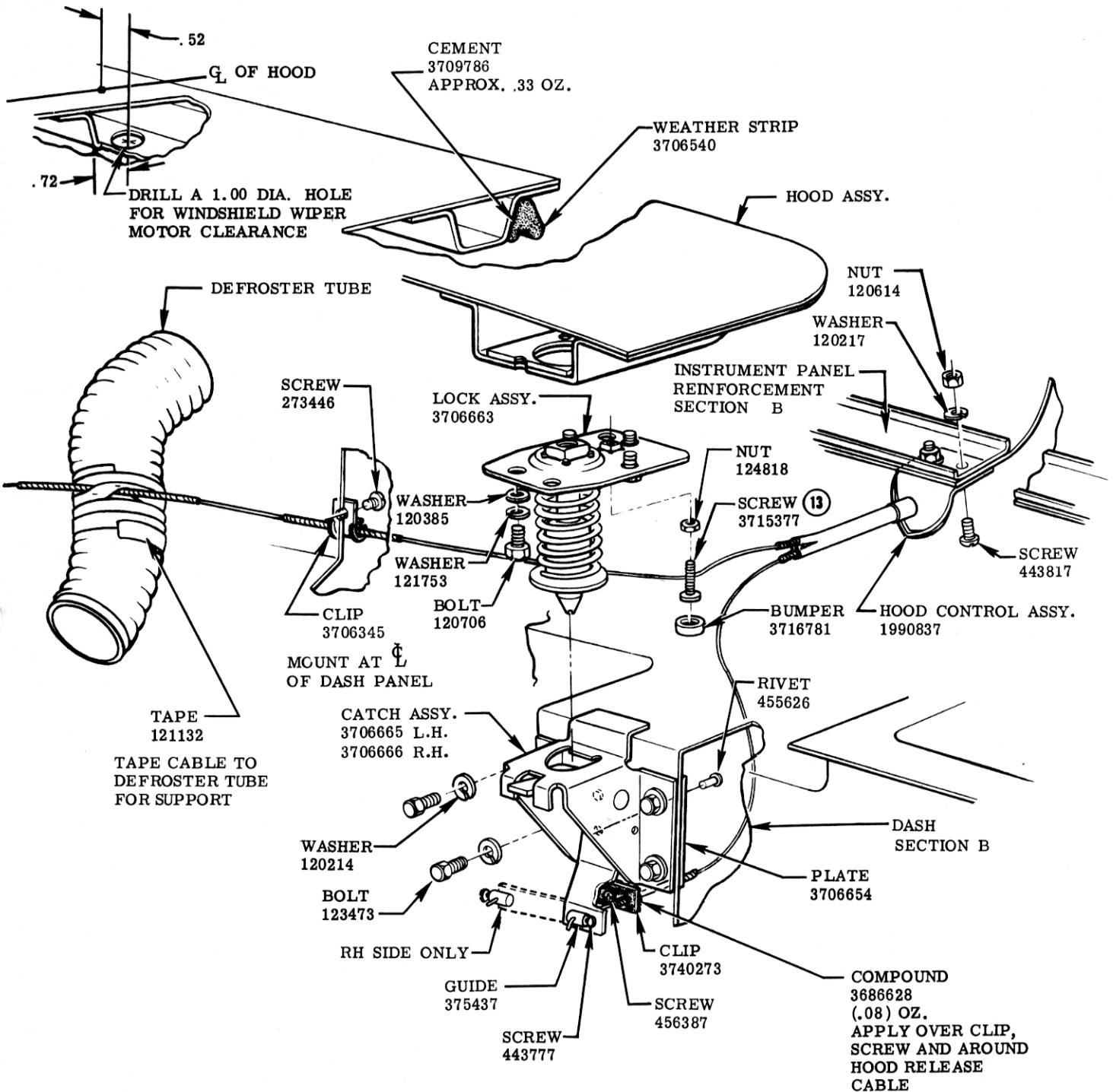
						NAME	CORVETTE INSTRUCTION MANUAL			
						REF.	DRAWN O. W.	CHECKED L. S.	SECT.	SHEET
7-23-56	1	WAS 120375 IN ERROR			F	DATE	PART No.	3726900	11	4.00
DATE	SYM.	REVISION RECORD	AUTH.	DR.	CK.	9-15-55				



SEE LUBRICATION CHART SECTION 14

HOOD, HINGE, SUPPORT & BUMPER

					NAME					CORVETTE INSTRUCTION MANUAL				
					REF.		DRAWN		CHECKED		SECT.		SHEET	
					7		WAS 3692994				11		5.00	
					11-26-56		6		REDRAWN		5988		F	
DATE					SYM.					REVISION RECORD				
										AUTH. DR. CK.				
										DATE				
										9-15-55				
										PART No.				
										3726900				



HOOD CATCH, LOCK, CONTROL & WEATHER STRIP.

					NAME CORVETTE INSTRUCTION MANUAL				
					REF.	DRAWN W.S.	CHECKED L.S.	SECT.	SHEET
	13	WAS 4137118 BOLT						11	6.00
4-22-57	12	REDRAWN	9689		DATE 9-15-55	PART No. 3726900			
DATE	SYM.	REVISION RECORD	AUTH.	DR.	CK.				