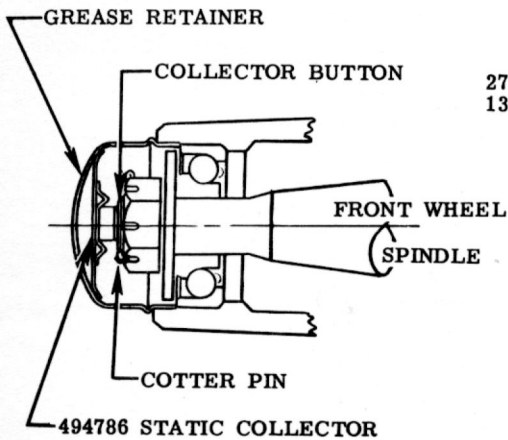
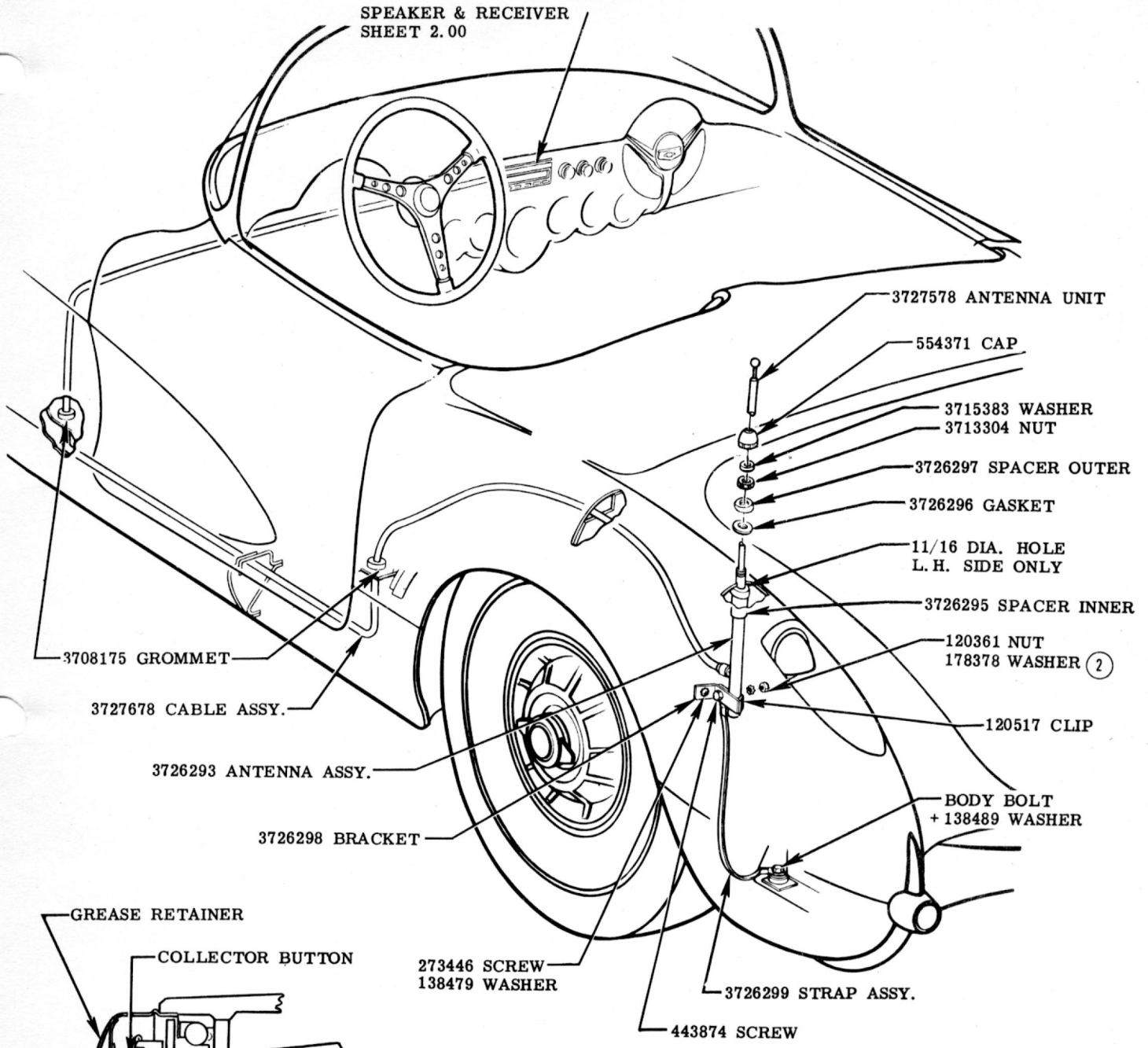




SPEAKER & RECEIVER  
SHEET 2.00



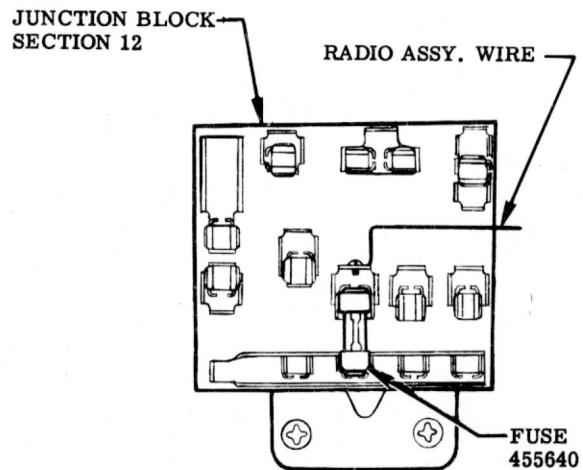
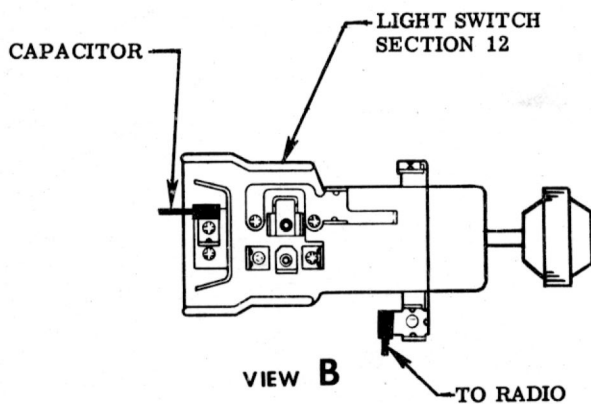
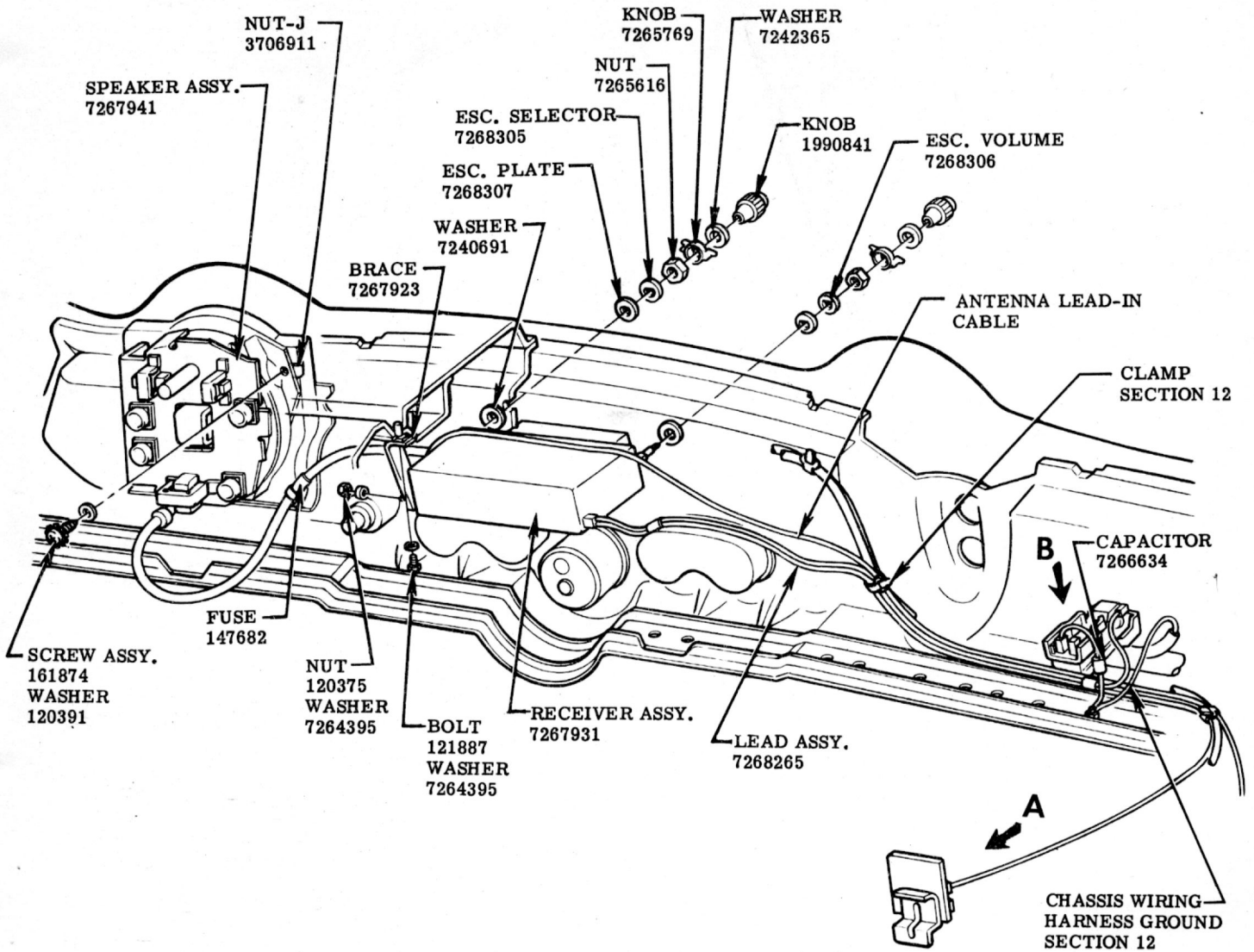
FRONT WHEEL STATIC COLLECTOR INSTALLATION

1. REMOVE GREASE RETAINER
2. REMOVE ANY GREASE FROM RETAINER AND CENTER HOLE ON WHEEL SPINDLE
3. INSTALL STATIC COLLECTOR AND GREASE RETAINER AS SHOWN
4. BEND COTTER PINS TO GIVE NECESSARY CLEARANCE FOR COLLECTOR BUTTON WHEN INTERFERENCE IS NOTED

CAPACITORS SHEET 3.00  
GROUNDS SHEET 4.00

**RADIO**

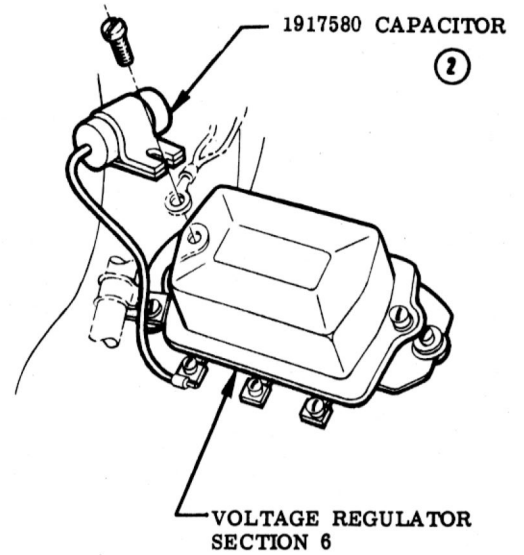
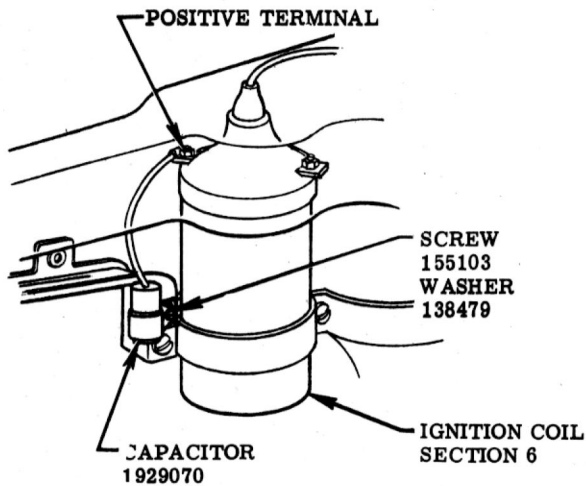
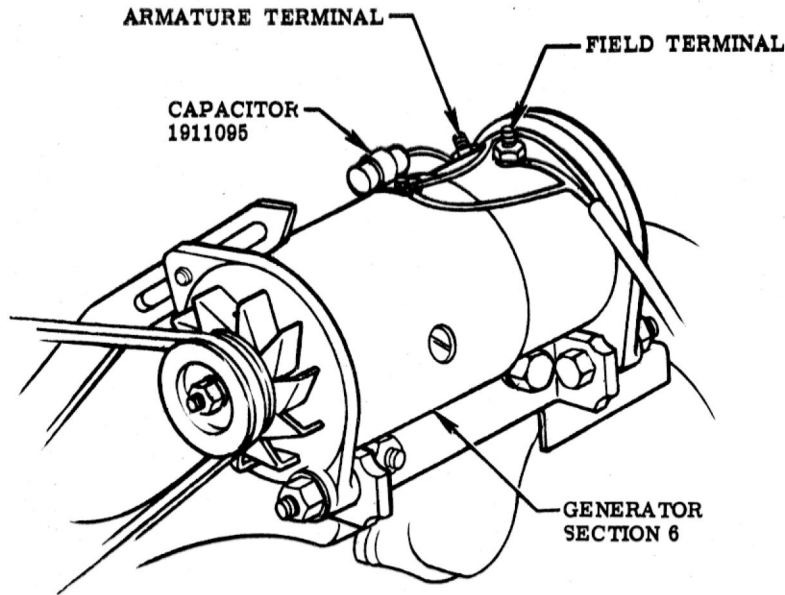
						CORVETTE INSTRUCTION MANUAL					
						NAME	REF.	DRAWN C.C.	CHECKED L.S.	F. O. A.	SHEET
7-16-56	2	WAS 173378 IN ERROR			F						
4-2-56	1	REDRAWN & REVISED	7014		F	DATE	PART No.			102	1.00
						9-15-55	3726900				
DATE	SYM.	REVISION RECORD	AUTH.	DR.	CK.						



(3725156 RADIO UNIT)  
**SPEAKER & RECEIVER**

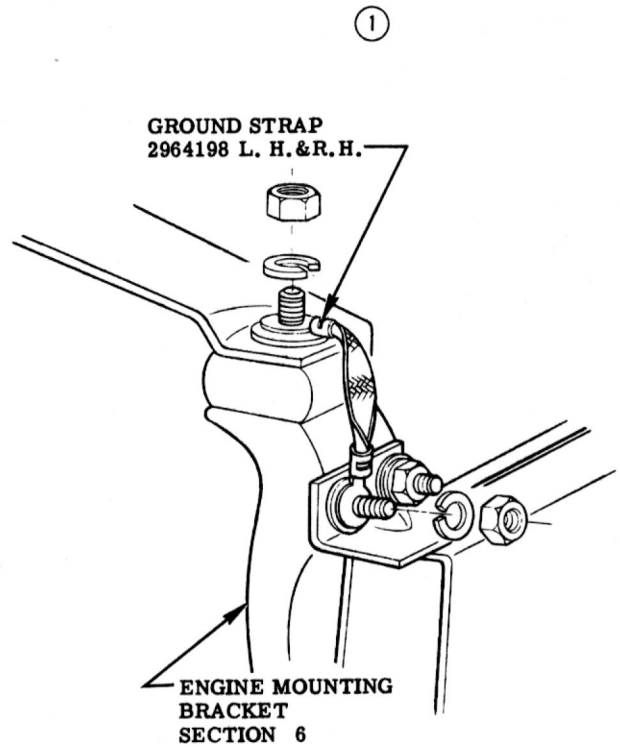
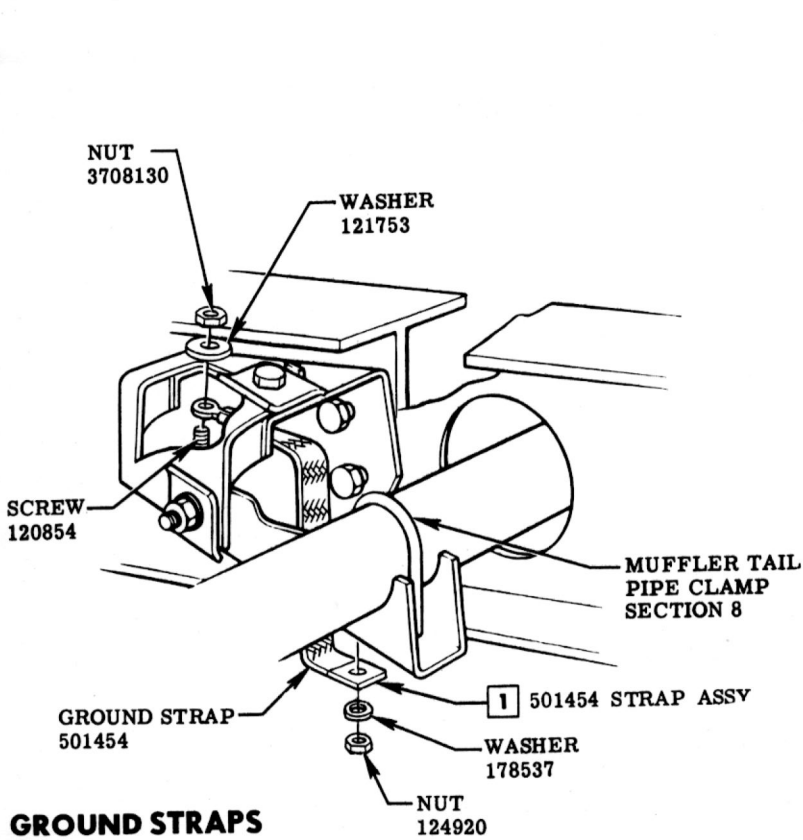
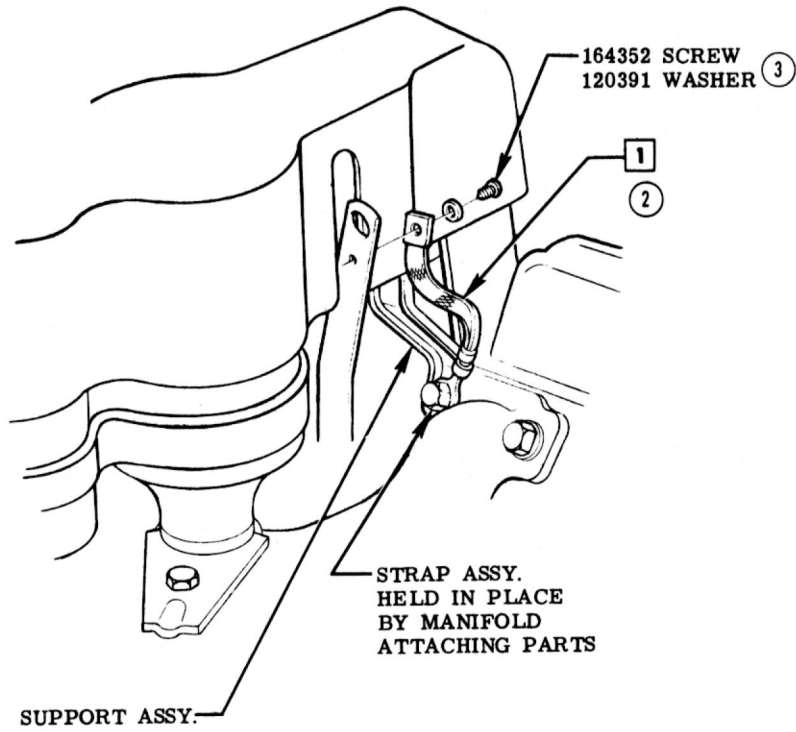
② VIEW A

					NAME CORVETTE INSTRUCTION MANUAL					
		REF.	DRAWN	CHECKED	F. O. A.	SHEET				
		DATE	R. L.	W. M.						
8-6-56	2	VIEW A REVISED	3178	F	DATE 9-15-55		PART No. 3726900		102	2.00
4-2-56	1	REDRAWN & REVISED 7014-5827-5323	V	F						
DATE	SYM.	REVISION RECORD	AUTH.	DR.	CK.					



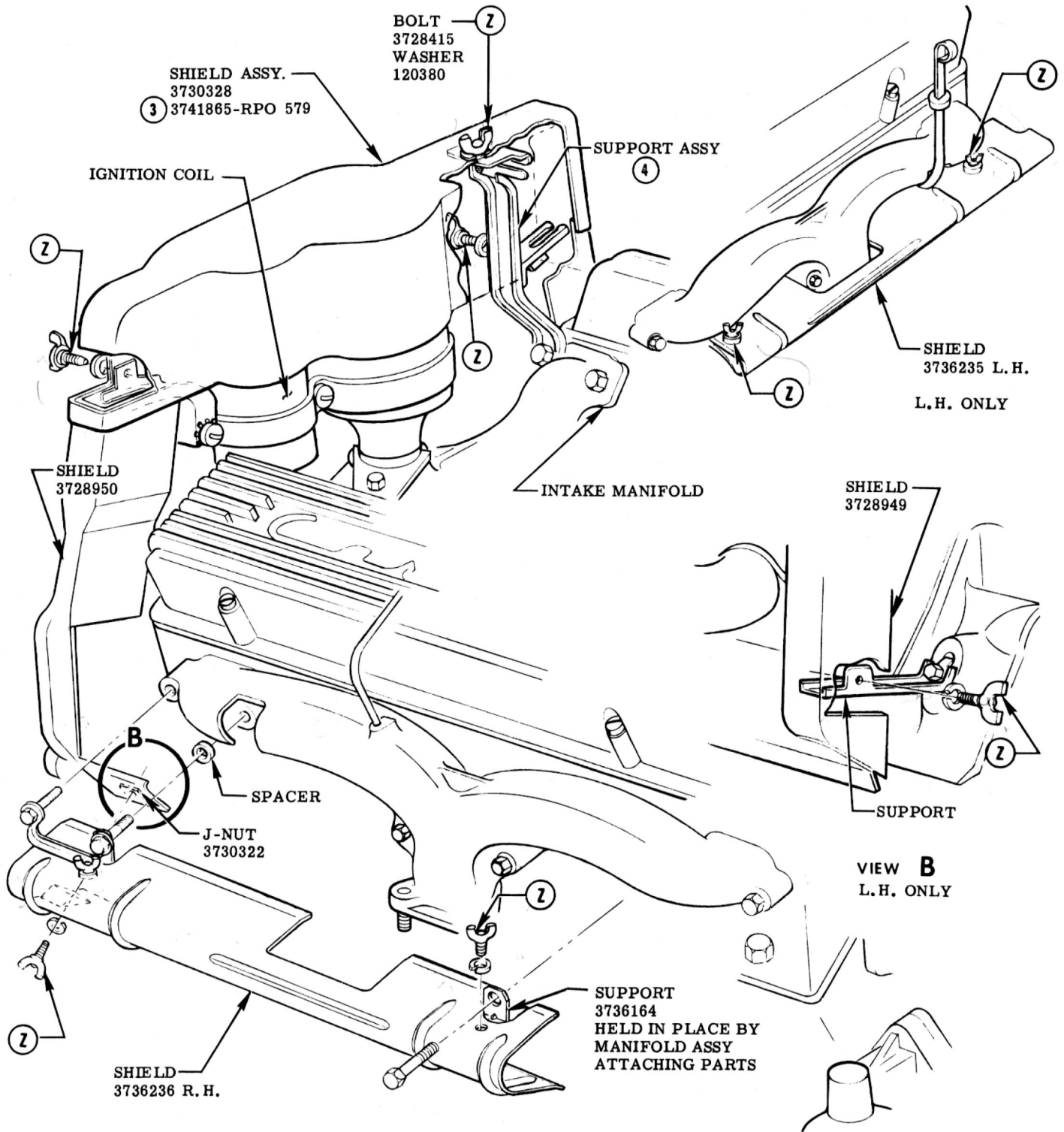
**CAPACITORS**

							CORVETTE INSTRUCTION MANUAL			
DATE	SYM.	REVISION RECORD	AUTH.	DR.	CK.	REF.	DRAWN	CHECKED	F. O. A.	SHEET
1-21-57	2	CAPACITOR RELOCATED	6145		F		CC	L. S.		
4-2-56	1	REDRAWN & REVISED	7014		F	DATE	PART No.		102	3.00
						9-15-55	3726900			



**GROUND STRAPS**

					NAME CORVETTE INSTRUCTION MANUAL					
	3	PARTS ADDED			F	REF. 7014	DRAWN V	CHECKED F	F.O.A.	SHEET
	2	STRAP RELOCATED								
11-5-56	1	VIEW A REMOVED	4139			DATE 4-2-56	PART No. 3726900		102	4.00
DATE	SYM.	REVISION RECORD	AUTH.	DR.	CK.					



**IGNITION SHIELDS**

DATE	SYM.	REVISION RECORD	AUTH.	DR.	CK.	NAME	CORVETTE INSTRUCTION MANUAL			
	4	NO. 3728955 REMOVED			F	REF.	DRAWN	CHECKED	F. O. A.	SHEET
11-5-56	3	PART ADDED	3750			7014	V		F	
7-13-56	2	REDRAWN & REVISED FOR 57	9463	V		DATE	PART No.			
			1101			4-2-56	3726900			
									<b>102</b>	<b>5.00</b>