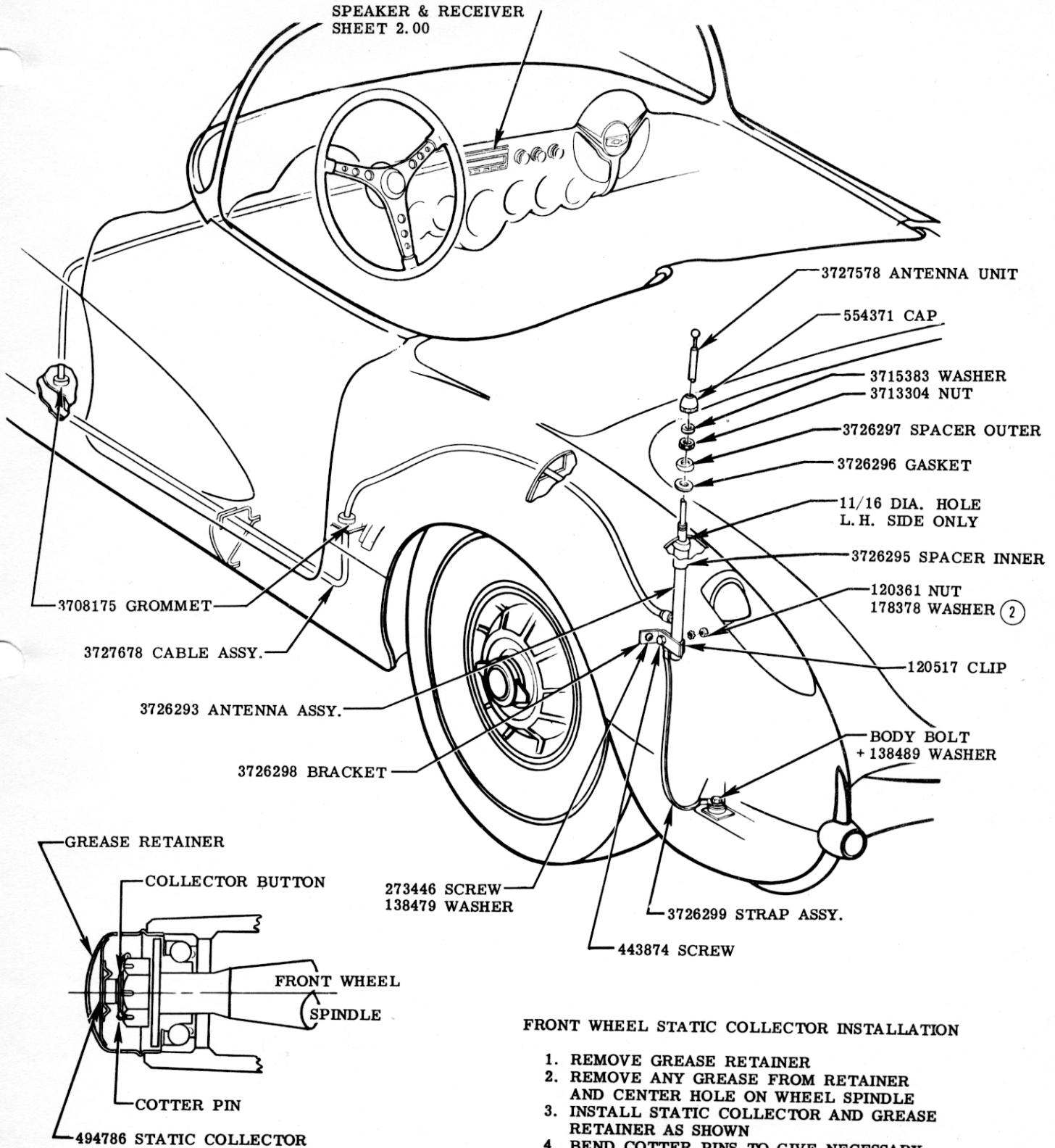




SPEAKER & RECEIVER
SHEET 2.00



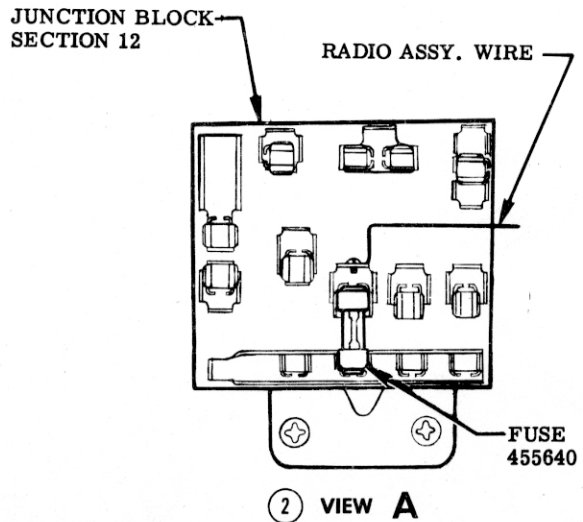
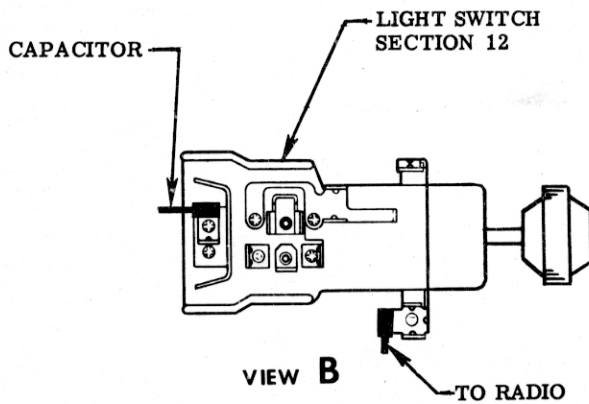
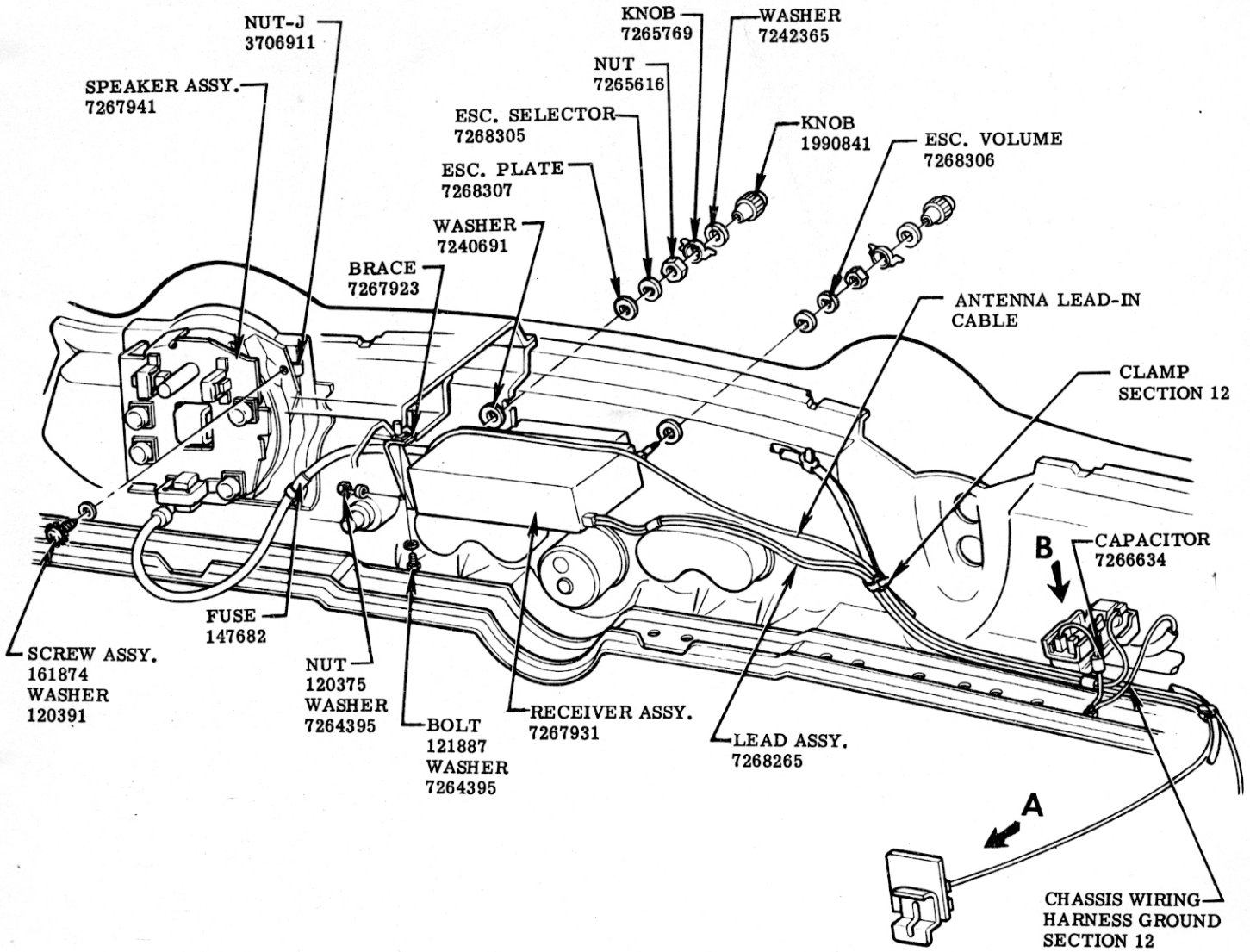
FRONT WHEEL STATIC COLLECTOR INSTALLATION

1. REMOVE GREASE RETAINER
2. REMOVE ANY GREASE FROM RETAINER AND CENTER HOLE ON WHEEL SPINDLE
3. INSTALL STATIC COLLECTOR AND GREASE RETAINER AS SHOWN
4. BEND COTTER PINS TO GIVE NECESSARY CLEARANCE FOR COLLECTOR BUTTON WHEN INTERFERENCE IS NOTED

CAPACITORS SHEET 3.00
GROUNDS SHEET 4.00

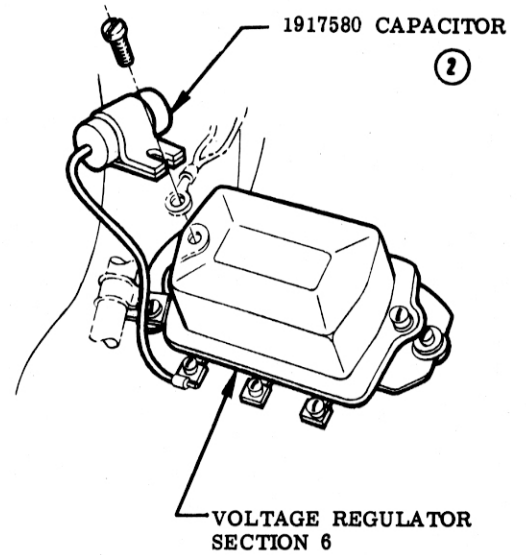
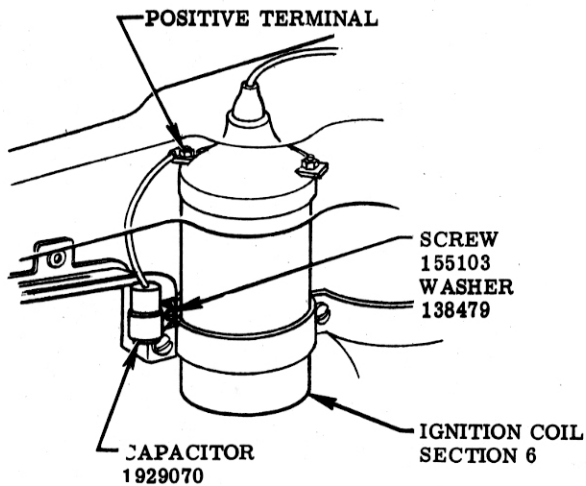
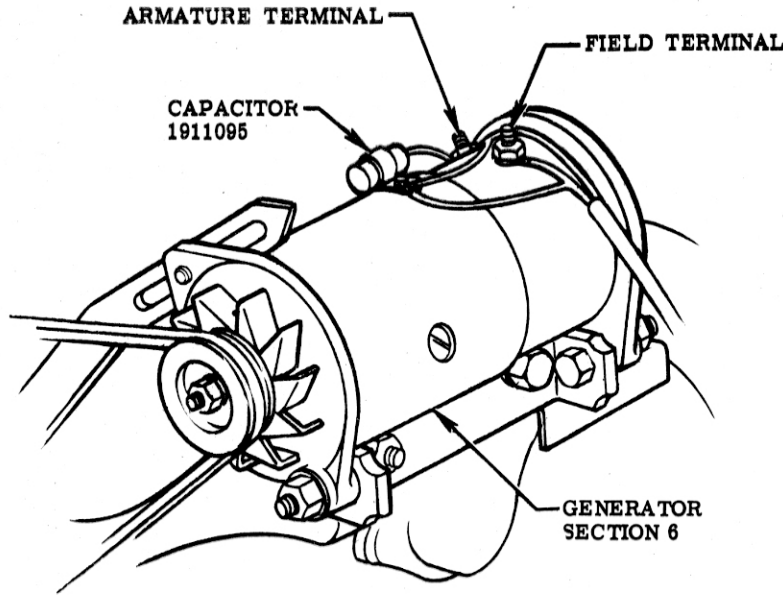
RADIO

						CORVETTE INSTRUCTION MANUAL				
						REF.	DRAWN C.C.	CHECKED L.S.	F. O. A.	SHEET
7-16-56	2	WAS 173378 IN ERROR			F	DATE	PART No.	3726900	102	1.00
4-2-56	1	REDRAWN & REVISED	7014		F	9-15-55				
DATE	SYM.	REVISION RECORD	AUTH.	DR.	CK.					



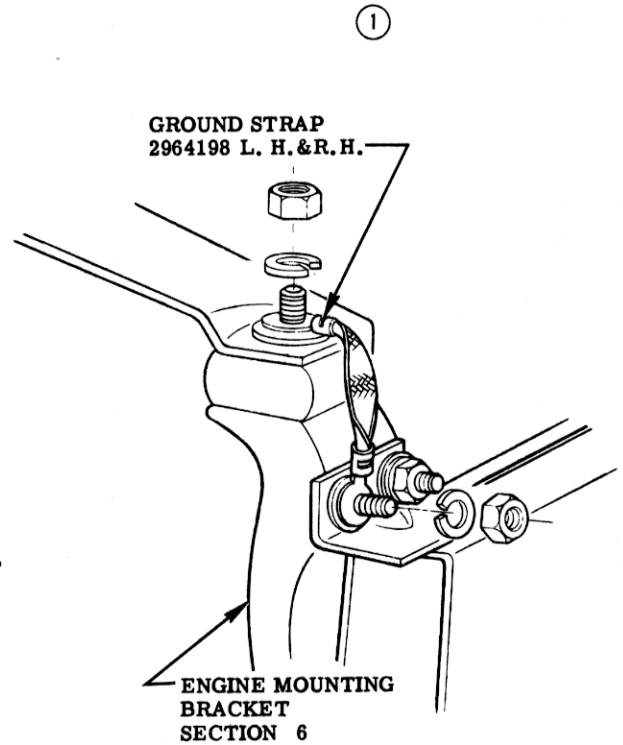
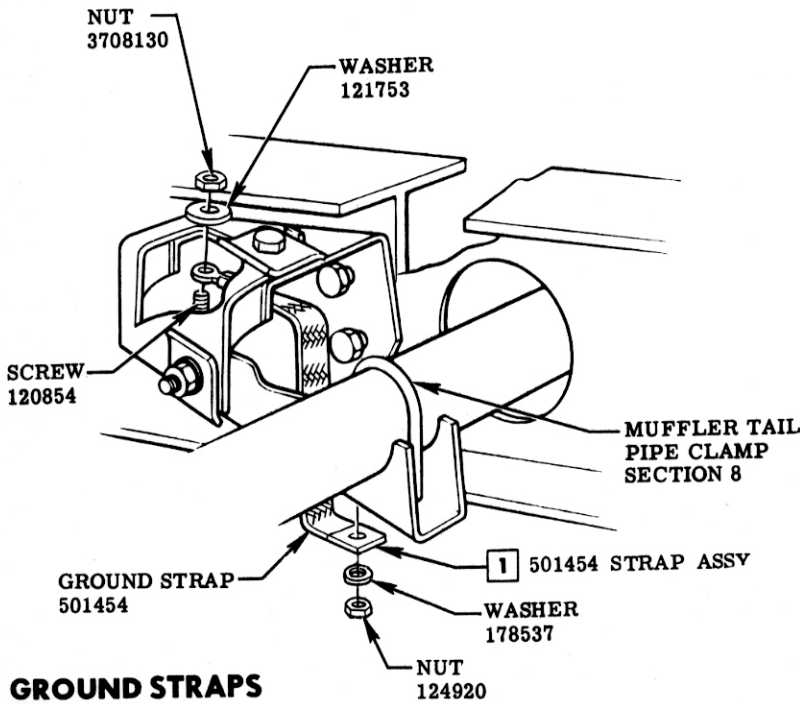
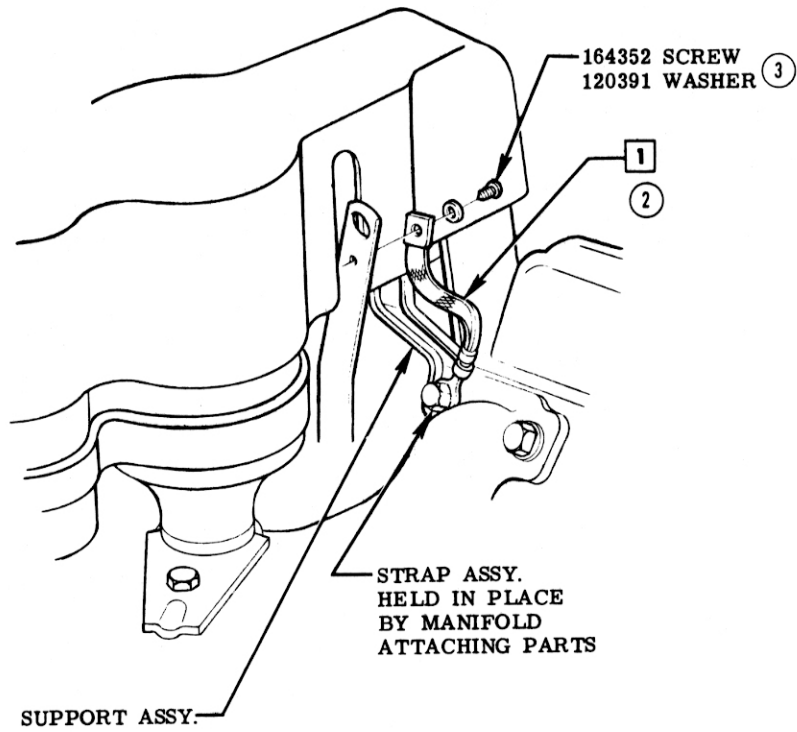
(3725156 RADIO UNIT)
SPEAKER & RECEIVER

					NAME CORVETTE INSTRUCTION MANUAL				
		REF.	DRAWN R. L.	CHECKED W. M.	F. O. A.	SHEET			
8-6-56	2	VIEW A REVISED	3178	F					
4-2-56	1	REDRAWN & REVISED 7014-5827-5323	V	F	DATE	PART No.		102	2.00
		REVISION RECORD	AUTH.	DR.	9-15-55	3726900			



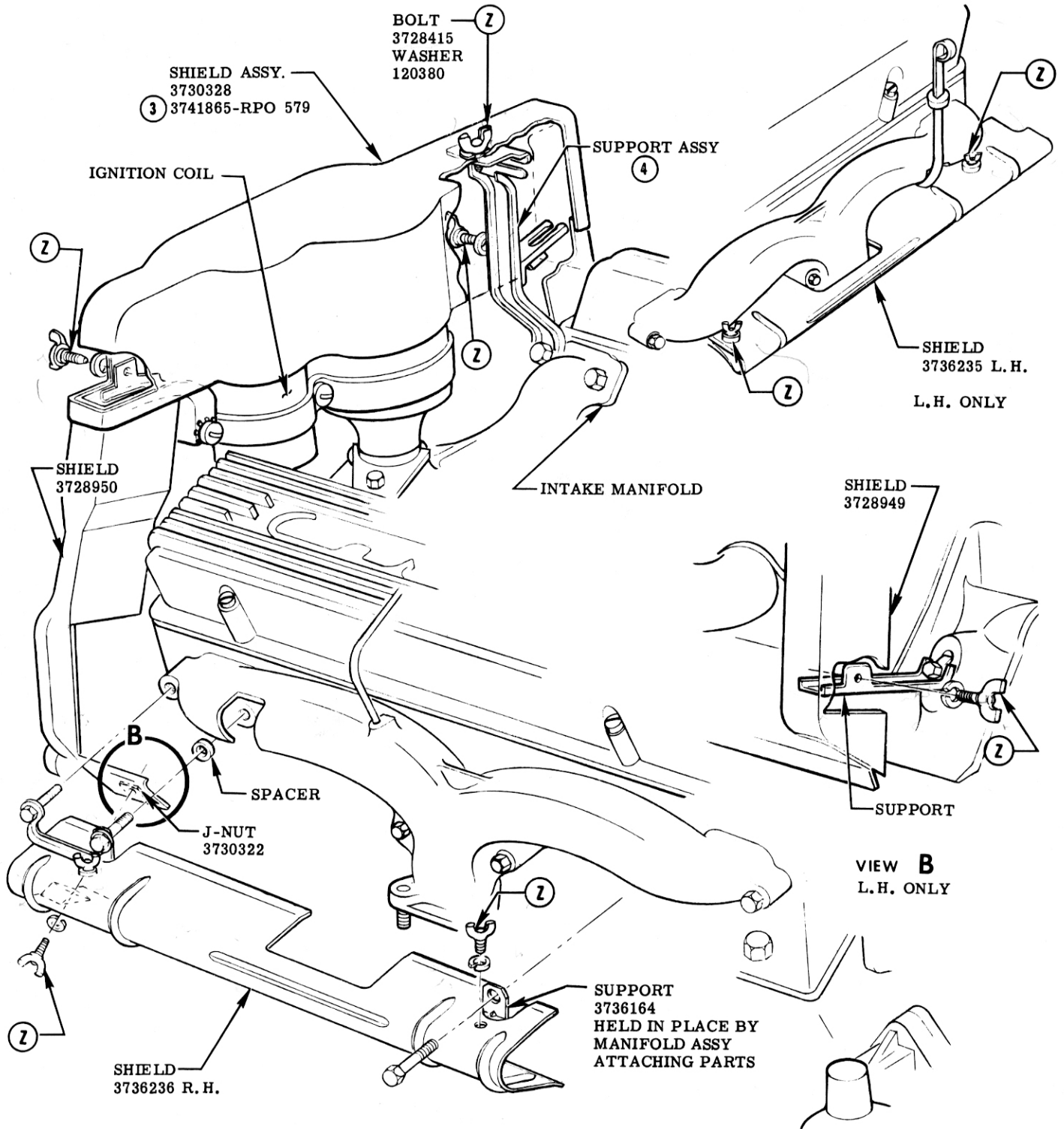
CAPACITORS

							CORVETTE INSTRUCTION MANUAL				
DATE	SYM.	REVISION RECORD	AUTH.	DR.	CK.	REF.	DRAWN	CHECKED	F. O. A.	SHEET	
1-21-57	2	CAPACITOR RELOCATED	6145		F		CC	L. S.			
4-2-56	1	REDRAWN & REVISED	7014		F	DATE	PART No.				
						9-15-55	3726900		102	3.00	



GROUND STRAPS

				NAME CORVETTE INSTRUCTION MANUAL						
	3	PARTS ADDED			F	REF. 7014	DRAWN V	CHECKED F	F.O.A.	SHEET
	2	STRAP RELOCATED								
11-5-56	1	VIEW A REMOVED	4139			DATE 4-2-56	PART No. 3726900		102	4.00
DATE	SYM.	REVISION RECORD	AUTH.	DR.	CK.					



IGNITION SHIELDS

REVISION RECORD				CORVETTE INSTRUCTION MANUAL					
DATE	SYM.	REVISION RECORD	AUTH.	DR.	CK.	NAME	PART No.	F. O. A.	SHEET
	4	NO. 3728955 REMOVED			F				
11-5-56	3	PART ADDED	3750			REF. 7014	DRAWN V	CHECKED F	
7-13-56	2	REDRAWN & REVISED FOR 57	9463	V					
			1101			DATE 4-2-56			
							3726900	102	5.00