

Schwartz

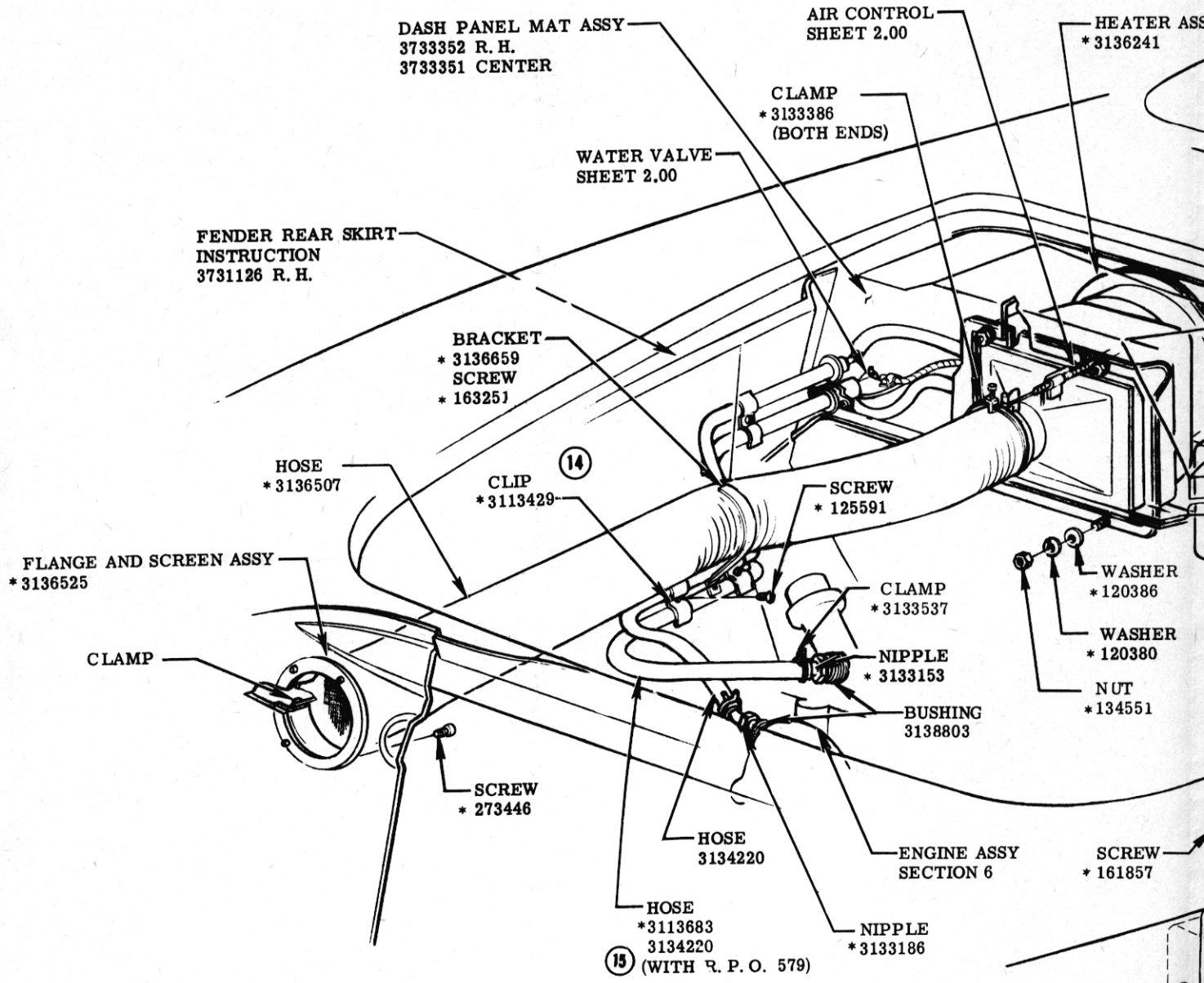


- F. O. A. 101 HEATER
- F. O. A. 102 RADIO
- F. O. A. 107 PARKING BRAKE ALARM
- F. O. A. 108 COURTESY LIGHT
- F. O. A. 109 WINDSHIELD WASHER
- *R. P. O. 276 WHEEL EQUIPMENT
- ⑬ ⑫ R. P. O. 313 AUTOMATIC TRANSMISSION
- R. P. O. 419 HARD TOP
- R. P. O. 426 POWER LIFT WINDOWS
- R. P. O. 469 DUAL FOUR BARREL CARBURETORS
- R. P. O. 473 HYDRAULIC FOLDING TOP
- R. P. O. 579 FUEL INJECTION
- * R. P. O. 581 HEAVY DUTY SUSPENSION
- R. P. O. 677 REAR AXLE (3.70 RATIO)
- R. P. O. 678 REAR AXLE (4.11 RATIO)
- R. P. O. 679 REAR AXLE (4.56 RATIO)
- R. P. O. 684 HEAVY DUTY BRAKE & SUSPENSION
- ⑪ R. P. O. 685 FOUR SPEED TRANSMISSION

*DENOTES ITEMS NOT ILLUSTRATED

INDEX

						NAME	CORVETTE INSTRUCTION MANUAL		
	13	R. P. O. 288 REMOVED				F			
	12	R. P. O. 287 REMOVED	9787			REF.	DRAWN	CHECKED	
	11	R. P. O. 685 ADDED					V	F	F. O. A.
4-30-57	10	REDRAWN	139			DATE	PART No.		R. P. O.
DATE	SYM.	REVISION RECORD	AUTH.	DR.	CK.	9-15-55	3726900		1



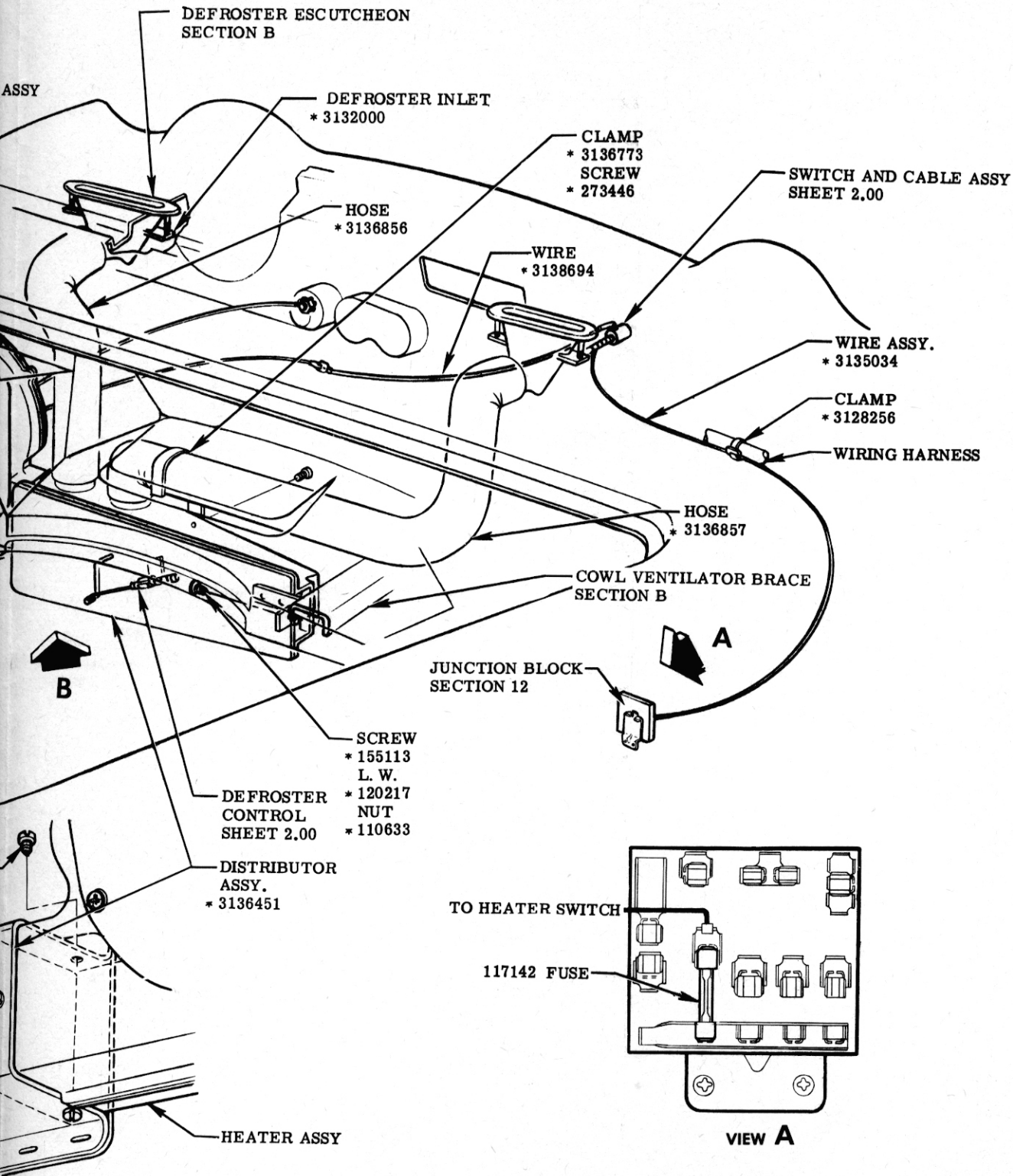
VIEW B

ALL NUMBERED PARTS WITH *
ARE PART OF UNIT 3136219 .
SEE COOLANT CHART SECTION 14

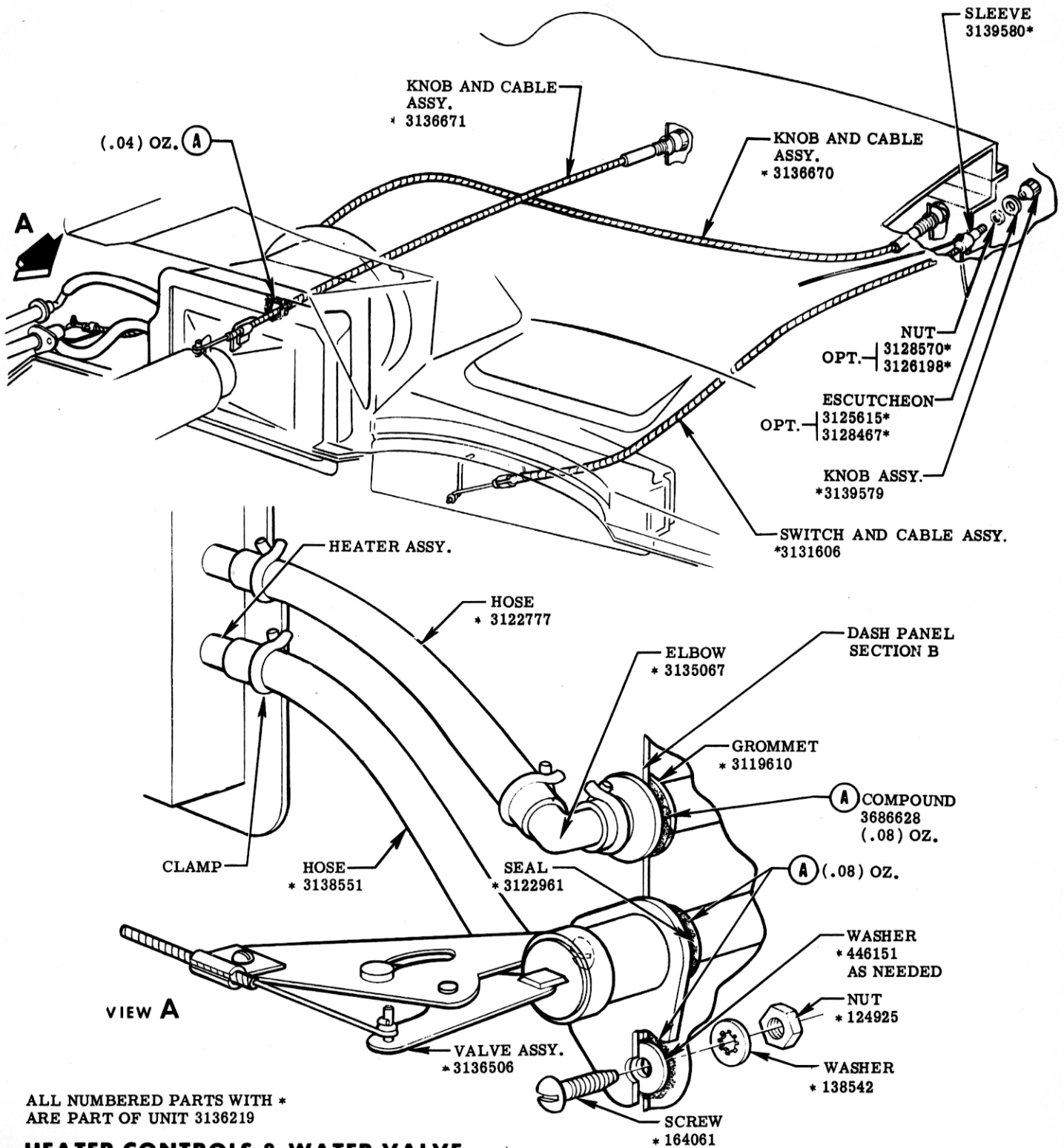
HEATER



GENERAL MOTORS CORPORATION



					CORVETTE INSTRUCTION MANUAL				
					NAME				
	15	PART & NOTE ADDED	536	F	REF.	DRAWN	CHECKED	F. O. A.	SHEET
	14	WAS BRACKET				C. C.	L. S.		
3-25-57	13	REDRAWN	6772	V	DATE	PART No.		101	1.00
DATE	SYM.	REVISION RECORD	AUTH.	DR.	CK.	11-8-55	3726900		



ALL NUMBERED PARTS WITH * ARE PART OF UNIT 3136219

HEATER CONTROLS & WATER VALVE

					NAME CORVETTE INSTRUCTION MANUAL				
		REF.	DATE	DATE	DRAWN C. C.	CHECKED L. S.	F. O. A.	SHEET	
3-25-57	5	REDRAWN & REVISED	4826	V F	PART No. 3726900		101	2.00	
DATE	SYM.	REVISION RECORD	AUTH.	DR. CK.	11-8-55				