



*Schwartz*

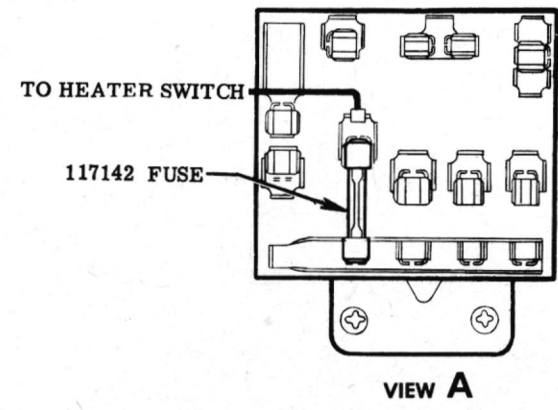
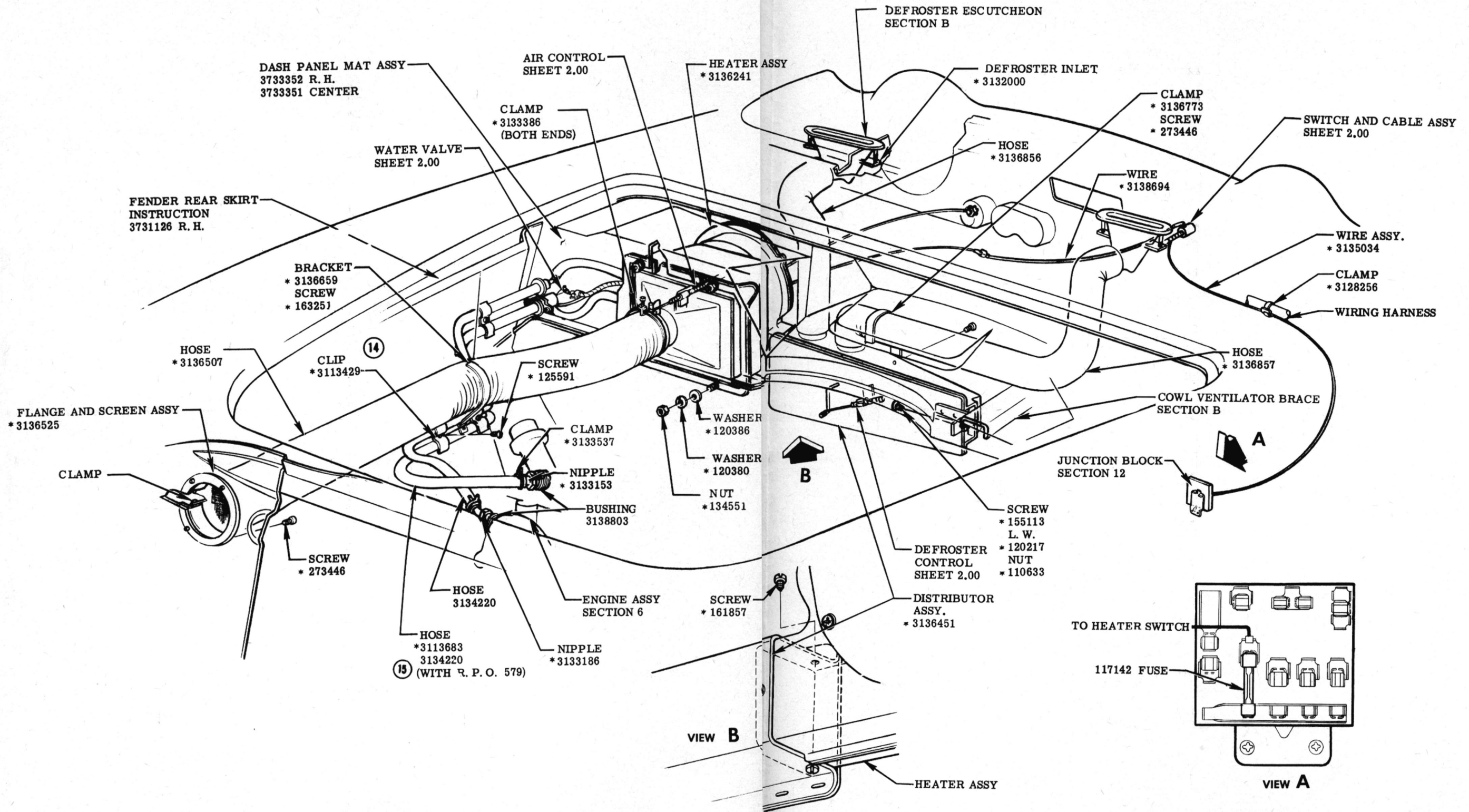


- F. O. A. 101 HEATER
- F. O. A. 102 RADIO
- F. O. A. 107 PARKING BRAKE ALARM
- F. O. A. 108 COURTESY LIGHT
- F. O. A. 109 WINDSHIELD WASHER
- ⑬ ⑫ \*R. P. O. 276 WHEEL EQUIPMENT
- R. P. O. 313 AUTOMATIC TRANSMISSION
- R. P. O. 419 HARD TOP
- R. P. O. 426 POWER LIFT WINDOWS
- R. P. O. 469 DUAL FOUR BARREL CARBURETORS
- R. P. O. 473 HYDRAULIC FOLDING TOP
- R. P. O. 579 FUEL INJECTION
- \* R. P. O. 581 HEAVY DUTY SUSPENSION
- R. P. O. 677 REAR AXLE (3.70 RATIO)
- R. P. O. 678 REAR AXLE (4.11 RATIO)
- R. P. O. 679 REAR AXLE (4.56 RATIO)
- R. P. O. 684 HEAVY DUTY BRAKE & SUSPENSION
- ⑪ R. P. O. 685 FOUR SPEED TRANSMISSION

\*DENOTES ITEMS NOT ILLUSTRATED

**INDEX**

						NAME CORVETTE INSTRUCTION MANUAL				
	13	R. P. O. 288 REMOVED				REF.	DRAWN	CHECKED		
	12	R. P. O. 287 REMOVED	9787				V	F	F. O. A.	1
	11	R. P. O. 685 ADDED							R. P. O.	
4-30-57	10	REDRAWN	139			DATE	PART No.	3726900		
DATE	SYM.	REVISION RECORD	AUTH.	DR.	CK.	9-15-55				

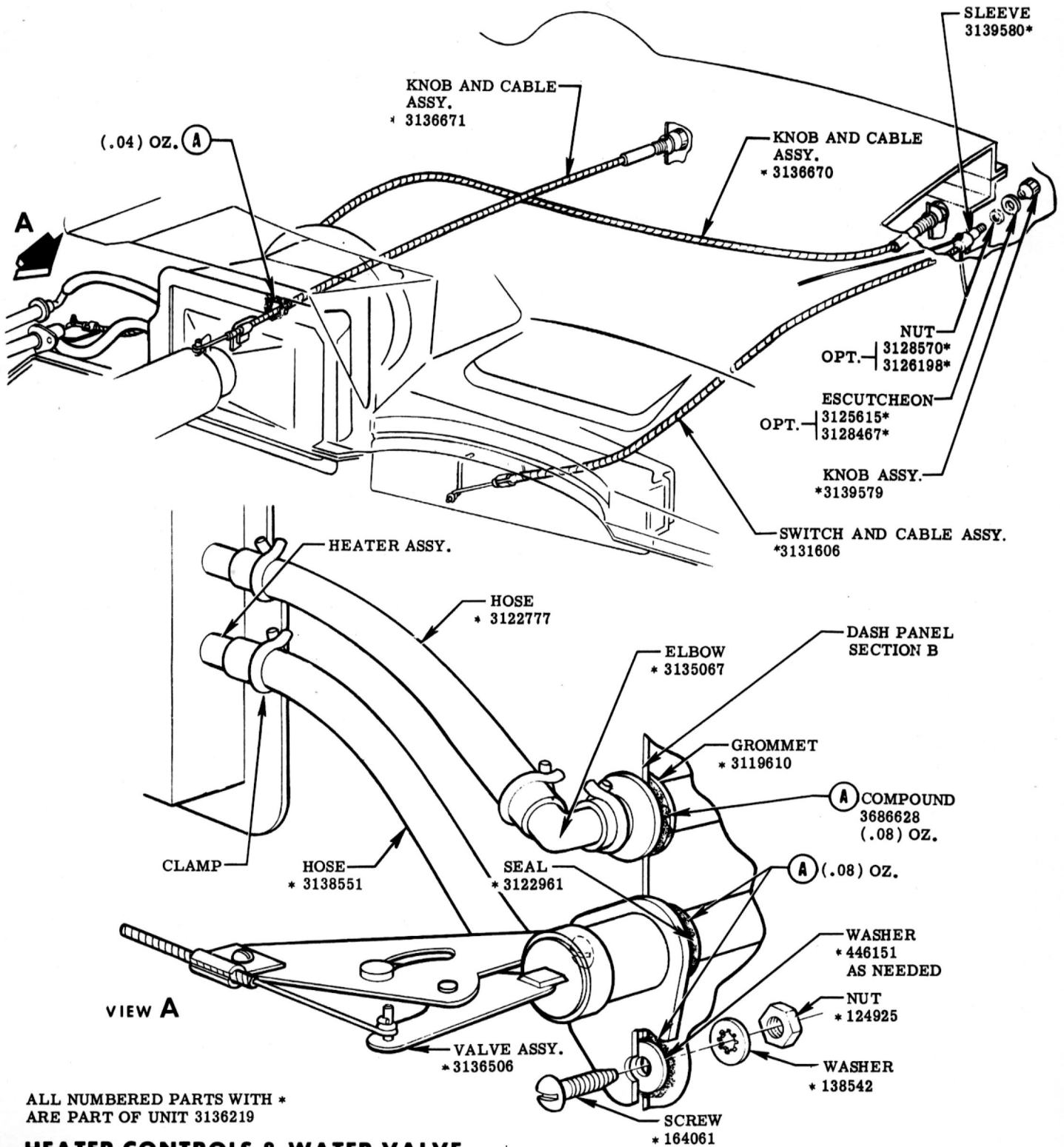


ALL NUMBERED PARTS WITH \*  
ARE PART OF UNIT 3136219 .  
SEE COOLANT CHART SECTION 14

**HEATER**

CORVETTE INSTRUCTION MANUAL					
REF.	DRAWN	CHECKED	F. O. A.	SHEET	
DATE	C. C.	L. S.			
15	PART & NOTE ADDED	536	F		
14	WAS BRACKET				
3-25-57	13 REDRAWN	6772	V		
DATE	SYM.	REVISION RECORD	AUTH.	DR.	CK.
11-8-55					
PART No. 3726900			101 1.00		





ALL NUMBERED PARTS WITH \* ARE PART OF UNIT 3136219

**HEATER CONTROLS & WATER VALVE**

					CORVETTE INSTRUCTION MANUAL				
REF.		DRAWN		CHECKED		F. O. A.		SHEET	
		C. C.		L. S.					
3-25-57	5	REDRAWN & REVISED	4826	V	F	DATE	PART No.	101	2.00
DATE	SYM.	REVISION RECORD	AUTH.	DR.	CK.	11-8-55	3726900		